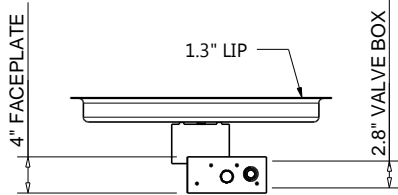


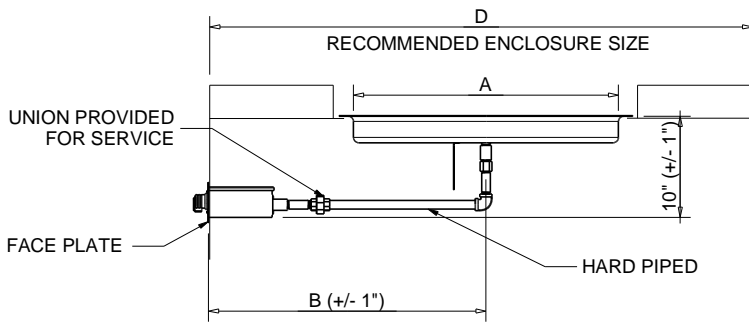


**Hearth Products Controls Co**  
**CSA CERTIFIED-OUTDOOR USE ONLY**

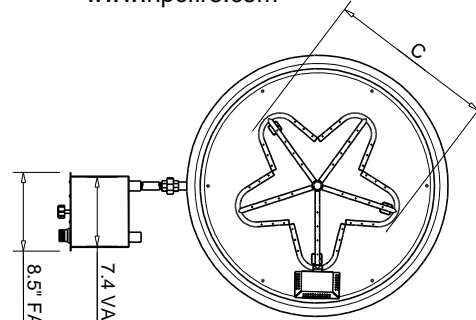
HEARTH PRODUCTS CONTROLS  
 3050 PLAINFIELD RD.  
 KETTERING, OH 45432  
 TOLL FREE: 1-877-433-7001  
 PHONE: (937) 433-7000  
 FAX: (937) 433-0704  
 www.hpcfire.com



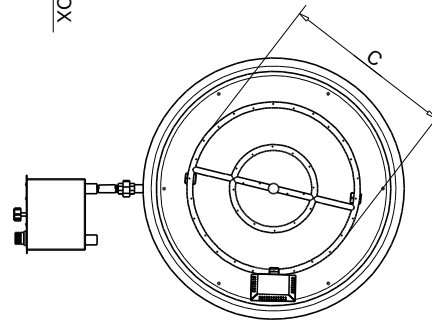
FRONT ELEVATION



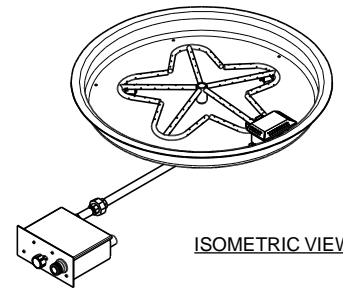
SIDE ELEVATION



PENTA BURNER OPTION



ROUND BURNER OPTION



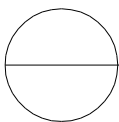
ISOMETRIC VIEW

SPARK IGNITION BY AA BATTERY

PART NUMBERS	STND	DIMENSION CHARTS				PART NUMBERS	STND
PENTA BURNER	BTU	A"	B"	C"	D"	ROUND BURNER	BTU
-	-	13	27	12	54	FPPK13	90K
PENTA19FPPK	65K	19	27	12	54	FPPK19	90K
PENTA25FPPK	90K	25	27	18	54	FPPK25	90K
PENTA31FPPK	140K	31	27	24	54	FPPK31	140K
PENTA37FPPK	140K	37	27	30	54	FPPK37	140K

Notes:

1. FOR USE WITH FIXED PIPING SYSTEMS ONLY.
2. NOT FOR USE WITH SMALL TANKS.
3. ALL ENCLOSURES REQUIRE 2 each 18 SQ/IN VENTS ON OPPOSING SIDES AND ADEQUATE DRAINAGE.
4. RESIDENTIAL GAS PRESSURE ONLY. (NG- 7.0" WC, LP- 11.0" WC)
5. MODIFICATION OF PRODUCT WILL VOID ANY CERTIFICATION AND WARRANTY.
6. FOLLOW ALL MANUFACTURER INSTALLATION INSTRUCTIONS AND LOCAL CODES.
7. ALL DIMENSIONS ARE CONSIDERED TRUE AND REFLECT MANUFACTURER'S SPECIFICATIONS AS OF THE REVISION DATE.
8. DO NOT SCALE DRAWING.
9. THESE DRAWINGS ARE FOR SIZING AND PLANNING PURPOSES. ALL INFORMATION CONTAINED HEREIN WAS CURRENT AT THE TIME OF DEVELOPMENT. THE MANUFACTURE IS RESPONSIBLE FOR THE ACCURACY OF THE DRAWING.
10. CONTRACTOR'S NOTE: FOR PRODUCT AND COMPANY INFORMATION VISIT [www.CADdetails.com/info](http://www.CADdetails.com/info) REFERENCE NUMBER 771-003.



FPPK FIRE PIT INSERT

FPPK BOWL ROUND PAN - FLAME SENSING WITH SPARK IGNITION