

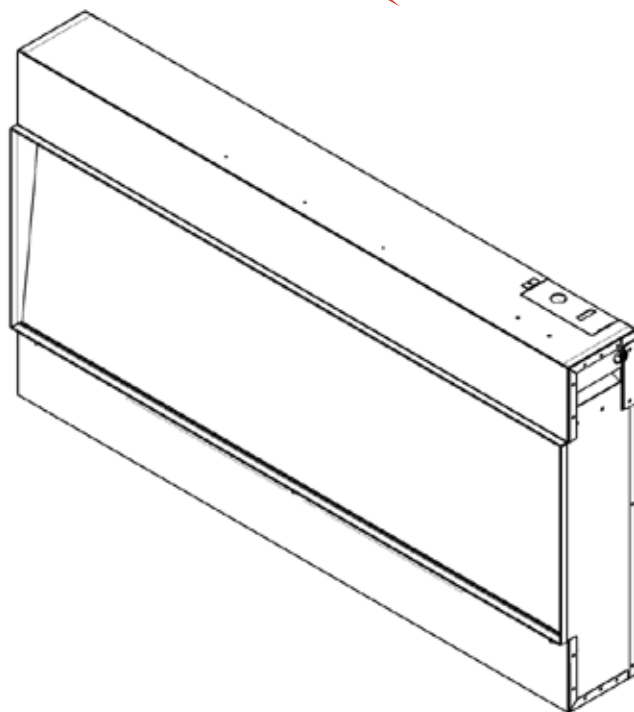
Landscape Pro Slim Electric Fireplace

Model# ■ LPS-4414V2 ■ LPS-5614V2 ■ LPS-6814V2

■ LPS-8014V2 ■ LPS-9614V2

Installation Manual

V2



Approved for Indoor and Outdoor Use
Rated: 120VAC 60Hz 5,000 BTUs

WARNING

Read and understand this entire owner's manual, including **all safety information**, before plugging in or using this product. Failure to do so could result in **fire, electric shock, or serious personal injury. Don't spray water directly on to product.** Clean with damp cloth or duster.

CAUTION

Keep this owner's manual for future reference. If you sell or give this product away, **make sure this manual accompanies this product.**

AFFIX SERIAL NUMBER LABEL
HERE FOR FUTURE REFERENCE



07-00012 REV C

IMPORTANT SAFETY INFORMATION!

WARNING

When using electrical appliances, basic precautions should always be followed to reduce the risk of fire, electric shock, and injury to persons, including the following:

1. Read all Instructions before installing or using the heater.
2. This heater is hot when in use. To avoid burns, do not let bare skin touch hot surfaces. Keep combustible materials, such as furniture, pillows, bedding, papers, clothes, etc. and curtains at least 3 feet (0.9 m) from the front of the heater and keep them away from the sides and rear (sides and rear restrictions apply to location dedicated heaters only)
3. Extreme caution is necessary when any heater is used by or near children or invalids and whenever the heater is left operating and unattended.
4. Do not operate heater after it malfunctions. Disconnect power at service panel and have the heater inspected by a reputable electrician before reusing.
5. To disconnect heater, turn controls to off, and turn power to heater circuit at main disconnect panel (or operate internal disconnect switch if provided).
6. Do not insert or allow foreign objects to enter any ventilation or exhaust opening as this may cause an electric shock or fire, or damage the heater.
7. To prevent a possible fire, do not block air intakes or exhaust in any manner.
8. A heater has hot and arcing or sparking parts inside. Do not use if in areas where gasoline, paint, or flammable vapors or liquids are used or stored.
9. Use this heater only as described in this manual. Any other use not recommended by the manufacturer may cause fire, electric shock, or injury to persons.
10. This heater may include an audible or visual alarm to warn that parts of the heater are getting excessively hot. If the alarm sounds (or illuminates), immediately turn the heater off and inspect for any objects on or adjacent to the heater that may have blocked the airflow or otherwise caused high temperature to have occurred. DO NOT OPERATE THE HEATER WITH THE ALARM SOUNDING (OR ILLUMINATING).
11. **“SAVE THESE INSTRUCTIONS”**

Additional Important Instructions

- Use a dedicated 20 Amp (or higher) breaker.
- Never use with an extension cord or relocatable power tap (outlet/power strip).
- Never use a wall mount bracket from another manufacturer.
- Always disconnect this unit from the power supply before performing any assembly or cleaning, or before relocating the electric fireplace.
- Always store this heater in a dry location. Never use the fireplace if it has become wet.
- This product is not intended to be a primary heat source. It is for supplemental heat only.

CONSIGNES IMPORTANTES



ATTENTION

Lors de l'utilisation d'appareils électriques, des précautions de base doivent toujours être suivies pour réduire les risques d'incendie, d'électrocution et de blessures, notamment les suivantes :

1. Lisez toutes les instructions avant d'installer ou d'utiliser le radiateur.
2. Ce radiateur est chaud lorsqu'il est utilisé. Pour éviter les brûlures, ne laissez pas la peau nue toucher les surfaces chaudes. Gardez les matériaux combustibles, tels que les meubles, les oreillers, la literie, les papiers, les vêtements, etc. et les rideaux à au moins 3 pieds (0,9 m) de l'avant de l'appareil de chauffage et éloignez-les des côtés et de l'arrière (des restrictions sur les côtés et l'arrière s'appliquent à radiateurs dédiés à l'emplacement uniquement)
3. Une extrême prudence est nécessaire lorsqu'un appareil de chauffage est utilisé par ou à proximité d'enfants ou de personnes invalides et chaque fois que l'appareil de chauffage est laissé en marche et sans surveillance.
4. Ne faites pas fonctionner le radiateur après un dysfonctionnement. Débranchez l'alimentation au panneau de service et faites inspecter le radiateur par un électricien réputé avant de le réutiliser.
5. Pour déconnecter le réchauffeur, éteignez les commandes et mettez le circuit du réchauffeur sous tension au niveau du panneau de déconnexion principal (ou actionnez l'interrupteur de déconnexion interne, le cas échéant).
6. N'insérez pas ou ne laissez pas d'objets étrangers pénétrer dans les ouvertures de ventilation ou d'évacuation, car cela pourrait provoquer une électrocution ou un incendie, ou endommager le radiateur.
7. Pour éviter un éventuel incendie, ne bloquez en aucune manière les prises d'air ou les sorties d'air.
8. Un appareil de chauffage contient des pièces chaudes et produisant des arcs ou des étincelles à l'intérieur. Ne pas utiliser si dans des zones où de l'essence, de la peinture ou des vapeurs ou liquides inflammables sont utilisés ou stockés.
9. Utilisez cet appareil de chauffage uniquement comme décrit dans ce manuel. Toute autre utilisation non recommandée par le fabricant peut provoquer un incendie, un choc électrique ou des blessures.
10. Cet appareil de chauffage peut inclure une alarme sonore ou visuelle pour avertir que des pièces de l'appareil de chauffage deviennent excessivement chaudes. Si l'alarme retentit (ou s'allume), éteignez immédiatement l'appareil de chauffage et recherchez tout objet sur ou à proximité de l'appareil de chauffage qui aurait pu bloquer le flux d'air ou autrement provoqué une température élevée. NE PAS FAIRE FONCTIONNER LE CHAUFFAGE LORSQUE L'ALARME SONNE (OU S'ALLUME).

11. **"CONSERVEZ CES INSTRUCTIONS"**

Instructions importantes supplémentaires

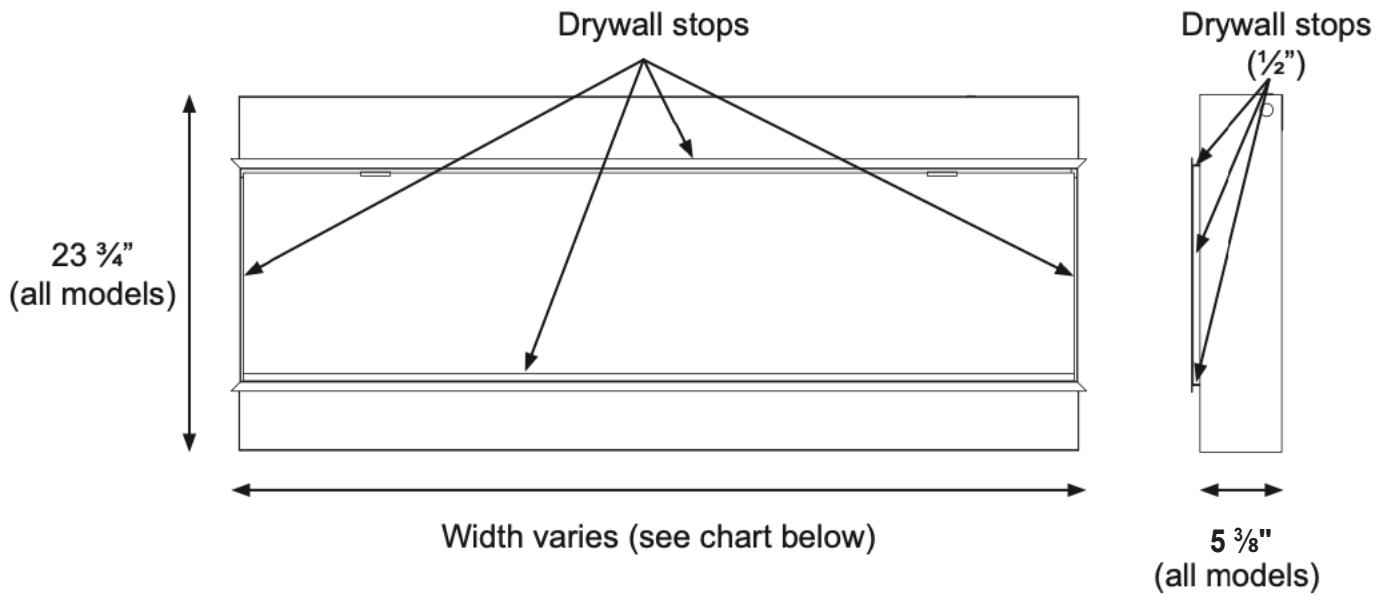
- Utilisez un disjoncteur dédié de 20 A (ou plus) .
- Ne jamais utiliser avec une rallonge ou une prise d'alimentation amovible (prise/multiprise).
- N'utilisez jamais un support de montage mural d'un autre fabricant.
- Débranchez toujours cet appareil de l'alimentation électrique avant d'effectuer tout assemblage ou nettoyage, ou avant de déplacer le foyer électrique.
- Rangez toujours cet appareil de chauffage dans un endroit sec. N'utilisez jamais le foyer s'il est devenu humide.
- Ce produit n'est pas destiné à être une source de chaleur primaire. C'est uniquement pour le chauffage d'appoint.

USER INSTRUCTIONS

POWER DATA

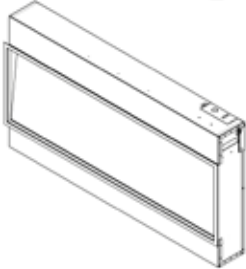

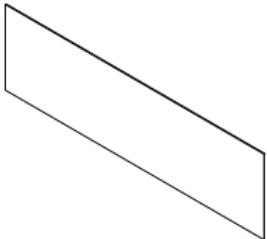


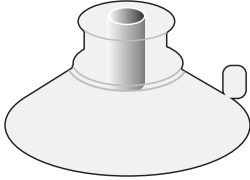


	LPS-4414V2	LPS-5614V2	LPS-6814V2	LPS-8014V2	LPS-9614V2
Volts/HZ Amps	AC 120V 60Hz 13 Amp	AC 120V 60Hz 13 Amp	AC 120V 60Hz 13 Amp	AC 120V 60Hz 13 Amp	AC 120V 60Hz 13 Amp
Heater	AC 120V 1465W	AC 120V 1465W	AC 120V 1465W	AC 120V 1465W	AC 120V 1465W
BTUs	5,000 BTUs	5,000 BTUs	5,000 BTUs	5,000 BTUs	5,000 BTUs
Lamps	LED 12V	LED 12V	LED 12V	LED 12V	LED 12V
Motor	12 VDC Stepper Motor	12 VDC Stepper Motor	12 VDC Stepper Motor	12 VDC Stepper Motor	12 VDC Stepper Motor
Shipping Size	46.625" x 26" x 8.07" 1185mm x 660mm x 205mm	59" x 26" x 8.07" 1500mm x 660mm x 205mm	70.5" x 26" x 8.07" 1790mm x 660mm x 205mm	82.5" x 26" x 8.07" 2095mm x 660mm x 205mm	98.5" x 26" x 8.07" 2500mm x 660mm x 205mm

PRODUCT GUIDE



Model	Viewing Area	Firebox Dimensions	Framing Dimensions
LPS-4414V2	43 ⁵ / ₈ " W x 13 ⁵ / ₈ " H 1111mm W x 356mm H	44 ¹ / ₁₆ " W x 23 ³ / ₄ " H x 5 ³ / ₈ " D 1124mm W x 603mm H x 141mm D	44 ¹ / ₄ " W x 24 ¹ / ₈ " H x 6" D 1130mm W x 613mm H x 152mm D
LPS-5614V2	55 ⁵ / ₈ " W x 13 ⁵ / ₈ " H 1416mm W x 356mm H	56 ¹ / ₁₆ " W x 23 ³ / ₄ " H x 5 ³ / ₈ " D 1430mm W x 603mm H x 141mm D	56 ¹ / ₄ " W x 24 ¹ / ₈ " H x 6" D 1435mm W x 613mm H x 152mm D
LPS-6814V2	67 ⁵ / ₈ " W x 13 ⁵ / ₈ " H 1721mm W x 356mm H	68 ¹ / ₁₆ " W x 23 ³ / ₄ " H x 5 ³ / ₈ " D 1735mm W x 603mm H x 141mm D	68 ¹ / ₄ " W x 24 ¹ / ₈ " H x 6" D 1740mm W x 613mm H x 152mm D
LPS-8014V2	79 ⁵ / ₈ " W x 13 ⁵ / ₈ " H 2026mm W x 356mm H	80 ¹ / ₁₆ " W x 23 ³ / ₄ " H x 5 ³ / ₈ " D 2040mm W x 603mm H x 141mm D	80 ¹ / ₄ " W x 24 ¹ / ₈ " H x 6" D 2045mm W x 613mm H x 152mm D
LPS-9614V2	95 ⁵ / ₈ " W x 13 ⁵ / ₈ " H 2432mm W x 356mm H	96 ¹ / ₁₆ " W x 23 ³ / ₄ " H x 5 ³ / ₈ " D 2446mm W x 603mm H x 141mm D	96 ¹ / ₄ " W x 24 ¹ / ₈ " H x 6" D 2451mm W x 613mm H x 152mm D

PARTS AND HARDWARE

 <p>(1) Fireplace</p>	 <p>(1) Owners Manual</p>	 <p>(1) L-Metal Mounting Bracket Set</p>	 <p>(1) Remote</p>	 <p>(1) Canyon Driftwood Logs Set</p>
 <p>(1) Front Glass</p>	 <p>(1) Battery Tool</p>	 <p>(1) CR2025 Battery</p>	 <p>(1) Suction Cup</p>	 <p>(1) Trim</p>
 <p>Smoke Acrylic Crystals Pkg</p>	 <p>Clear Acrylic Stones Pkg</p>	 <p>Wall Mount (1) Touch Control (Sold Separately)</p>		

INSTALLATION

Select a suitable location that is away from drapes, furniture, and high traffic areas.

NOTE: Follow all National and local electrical codes.



This product includes a **GLASS panel**. Always use **extreme caution** when handling glass. Failure to do so could result in **personal injury** or **property damage**.

Due to the many different materials used on different walls, it is highly recommended that you consult your local builder before you install this fireplace.

Remove all parts and hardware from the carton and place them on a clean, soft, dry surface. Parts and assembly steps are grouped for use. Check the parts list to make sure nothing is missing. Dispose of packaging materials properly. Please recycle whenever possible.

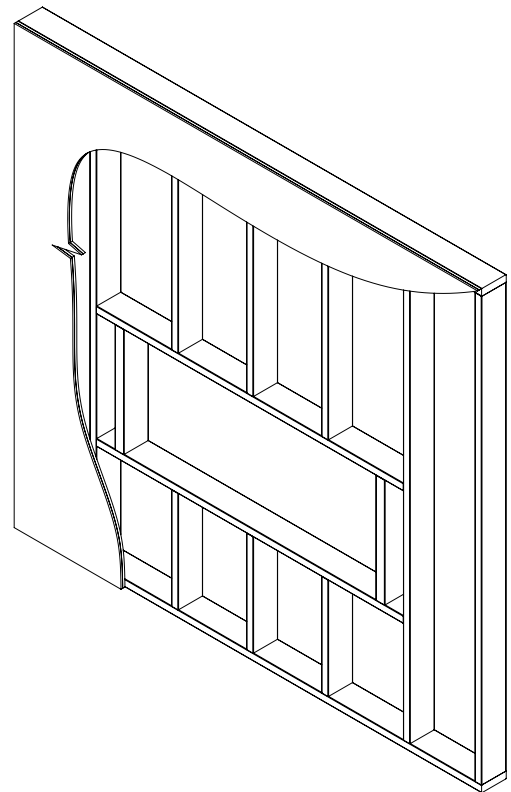
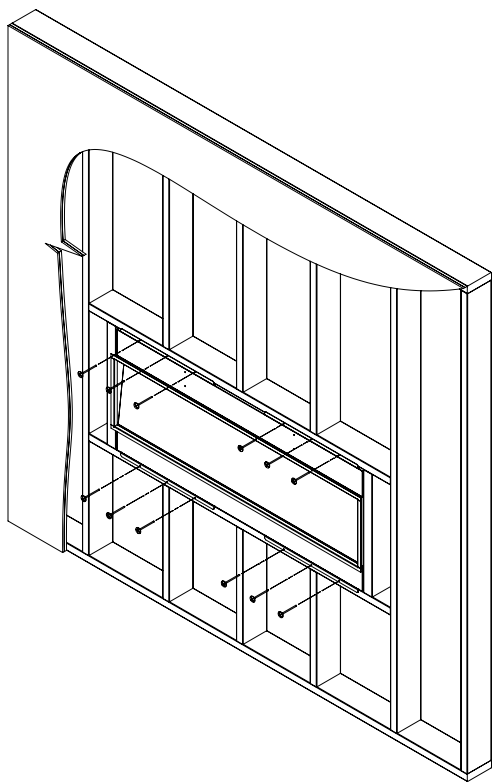
You will need the following tools (not included): Phillips screwdriver, stud finder, level, tape measure, electric drill, 1/4" wood drill bit, hammer.

BUILT-IN INSTALLATION

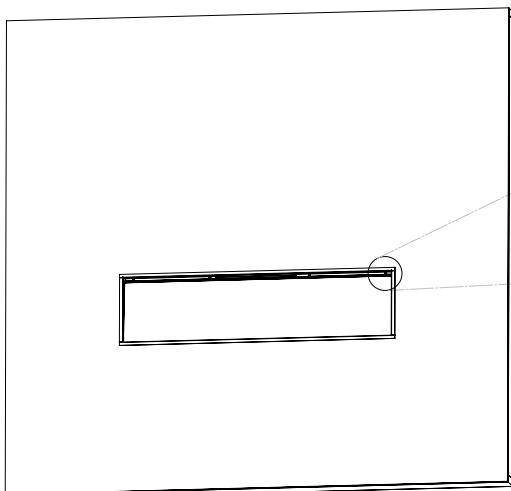
Fully Recessed Installation (Single Sided)

1. This installation is optimized for a 2x6 framed wall. Prepare the framed opening according to the framing dimensions chart (pg 4).

**Provide appropriate dedicated circuit for hardwire install at the top right of framed opening.*



2. Install L Metal mounting brackets to the top and bottom of the fireplace with supplied screws.
3. Hardwire fireplace (see page 13)
4. Install the fireplace in the framed opening with a minimum 1 1/4" (32mm) drywall screws to secure the unit.



5. Mask the exposed fireplace during the drywall process. Install drywall to the drywall stops on the perimeter of the fireplace.

For more information on the drywall stops see the product guide on page 4.

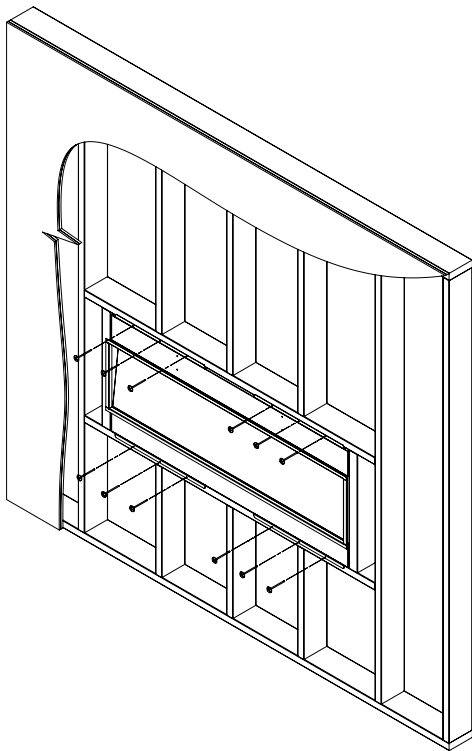
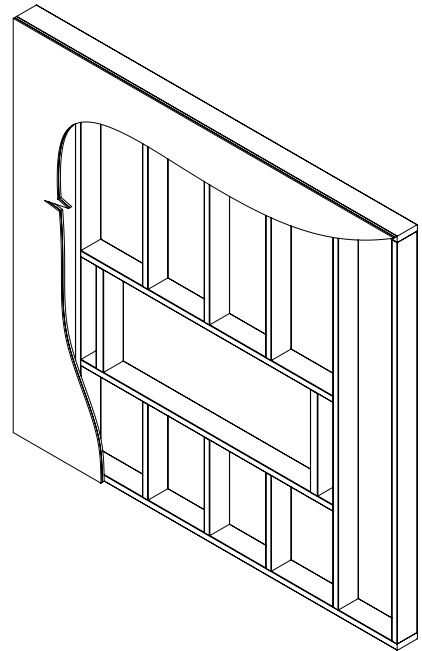
6. Remove glass (see page 14) and install media. See page 12 for log layout.

BUILT-IN INSTALLATION

Partial Recessed Installation

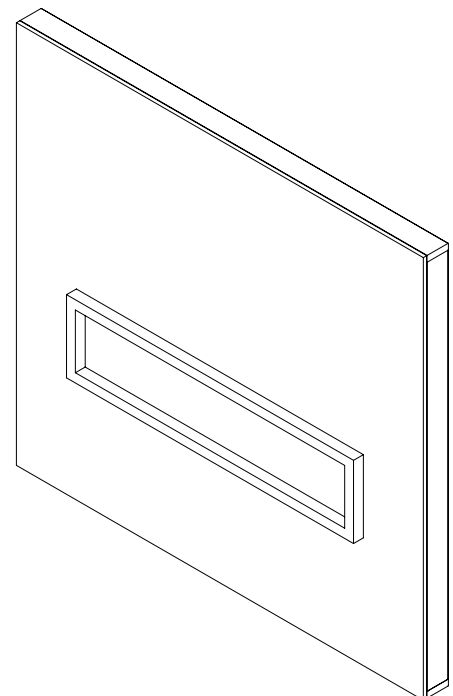
1. This installation is optimized for a 2x4 framed wall. Prepare the framed opening according to the framing dimensions chart on page 4.

**Provide appropriate dedicated circuit for hardwire install at the top right of framed opening.*



2. Install L Metal Nailing Flanges to the fireplace.
3. Hardwire fireplace (see page 13)
4. Install the fireplace in the framed opening with a minimum 1 1/4" (32mm) drywall screws to secure the unit.

5. Mask the exposed fireplace during the drywall process. Install drywall to the perimeter of the fire box. The unit can be covered with a custom facade.
6. Remove glass (see page 14) and install media. See page 12 for log layout.



OUTDOOR INSTALLATION REQUIREMENTS

The LPS Series electric fireplaces from Modern Flames LLC have been tested and approved for installation outdoors under a patio cover and away from direct water contact or direct sun light. Modern Flames LLC standard warranty applies if installed per instructions. All electrical wiring shall be to local building codes. Consult professional installers before installation. Approved installations are as noted below.

Front Protection:

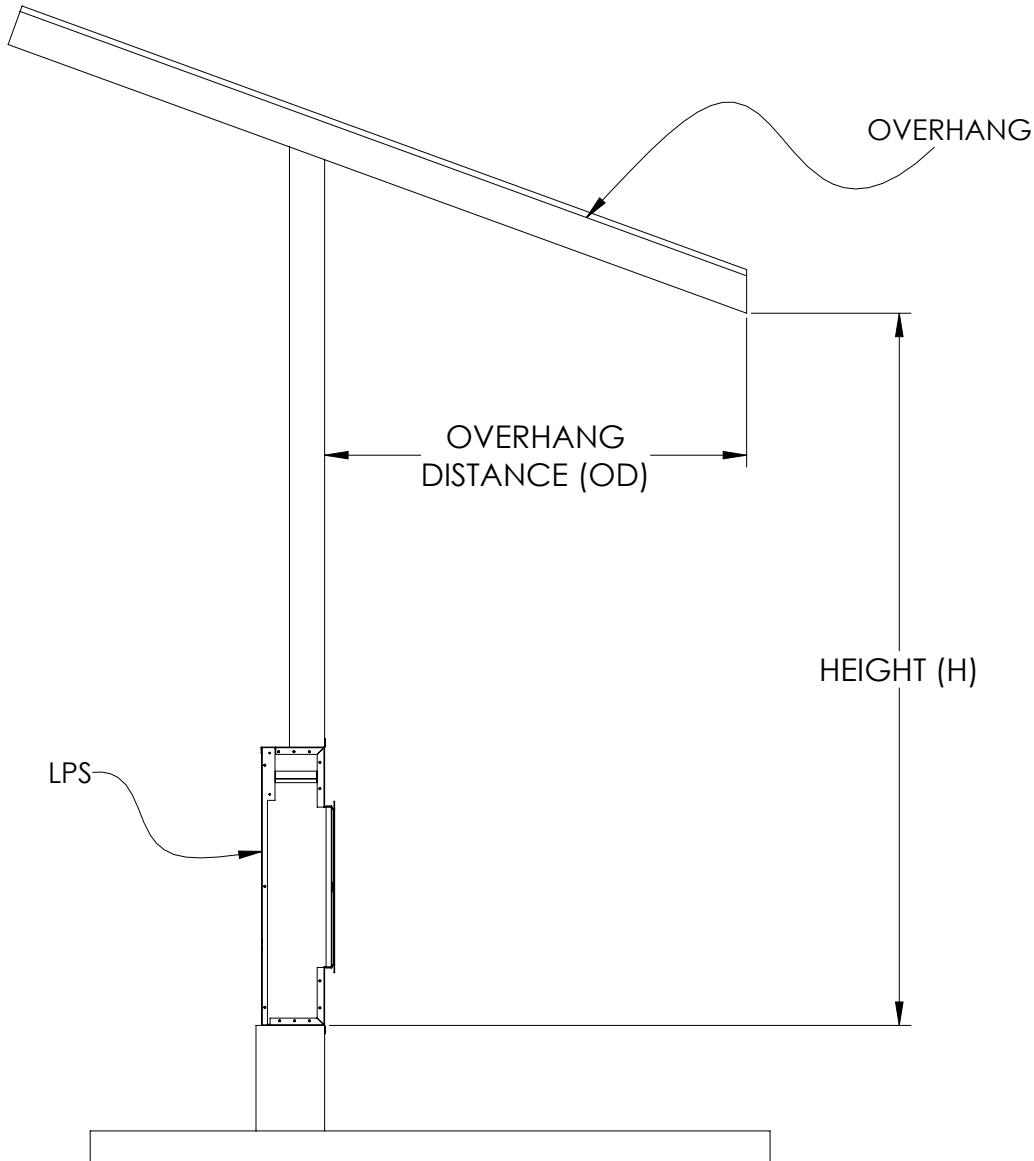
Patio roof overhang must be 50% (or more) of the height of the patio roof from bottom of fireplace.

If: $H=6'$

Then: $OD=3'$ minimum ($6' \times 50\%=3'$)

Note 1: Base of fireplace must be 2" (minimum) above floor.

Note 2: H taken from bottom of fireplace.



OUTDOOR INSTALLATION REQUIREMENTS

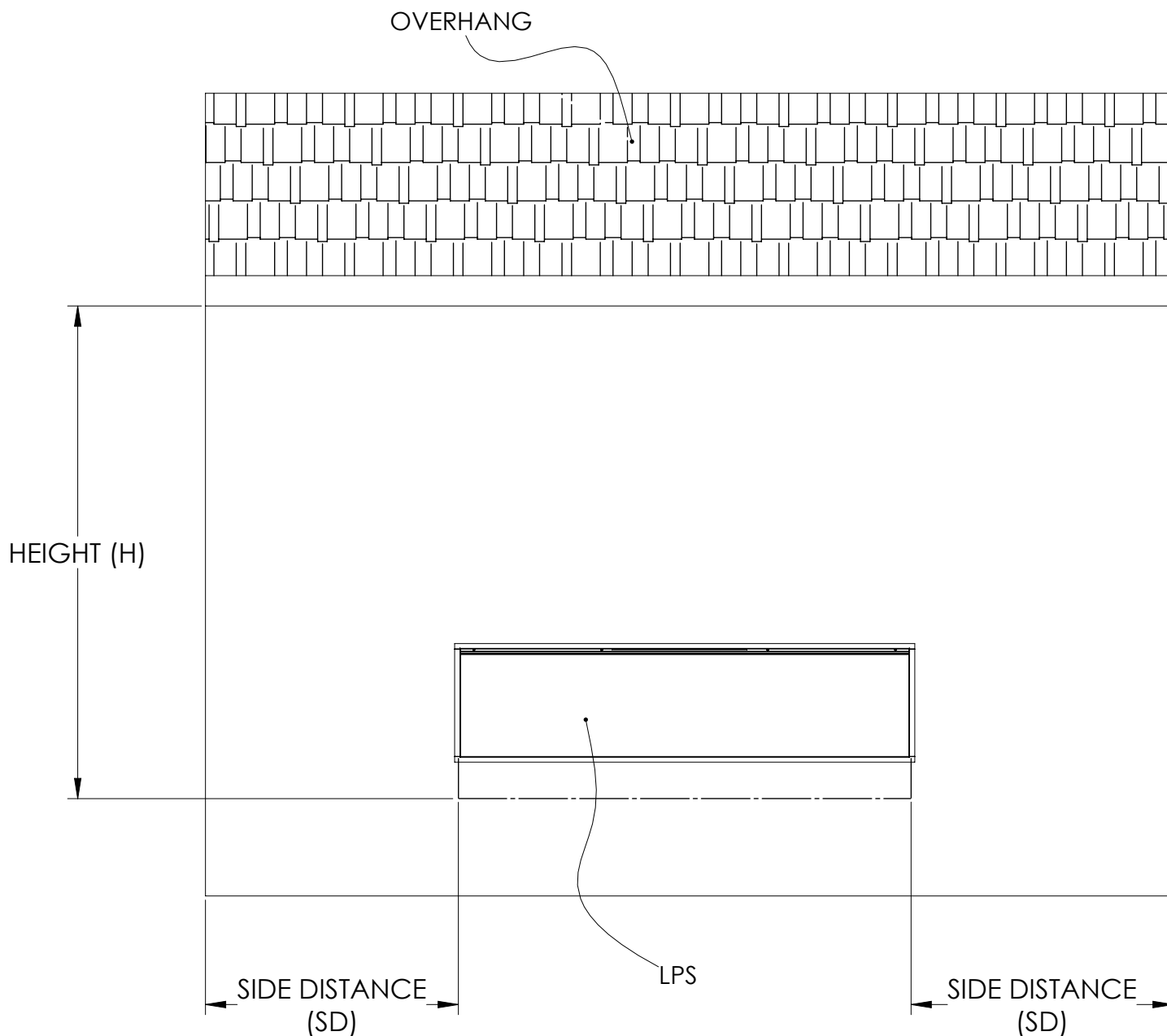
Side Protection:

Side distance (SD) must be 50% (or more) of the height(H).

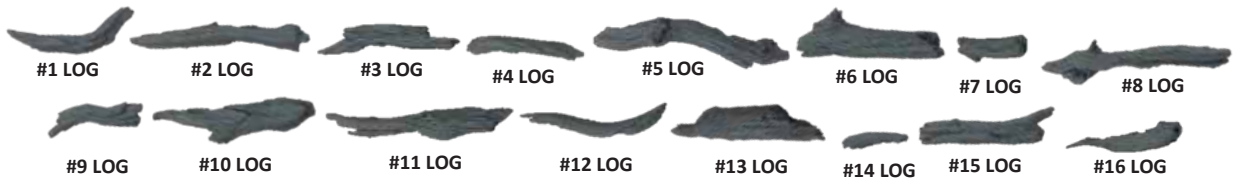
If: $H=6'$

Then: $SD=3'$ minimum ($6' \times 50\%=3'$)

Note: H taken from bottom of fireplace.



LOG SETS



LANDSCAPE PRO SLIM – LOG SET SIZES 44" – 56" – 68" – 80" – 96"

LPS 44" – Set contains 6 logs



LPS 56" – Set contains 8 logs



LPS 68" – Set contains 10 logs



LPS 80" – Set contains 12 logs



LPS 96" – Set contains 16 logs



LOG PLACEMENT

LANDSCAPE PRO SLIM – LOG PLACEMENT

44" – 56" – 68" – 80" – 96"

LPS 44" – Set contains 6 logs



LPS 56" – Set contains 8 logs



LPS 68" – Set contains 10 logs



LPS 80" – Set contains 12 logs



LPS 96" – Set contains 16 logs



HARD WIRING

A qualified electrician must wire this fireplace to a dedicated 110`120 volt, 20 amp circuit.

NOTE: A dedicated 20 Amp (or higher) and breaker is required.

The appliance must be electrically connected and grounded in accordance with local codes. In the absence of local codes, use the current CSA C22.1 Canadian Electrical Code in Canada or the current ANSI/NFPA 70 National Electrical Code in the USA.

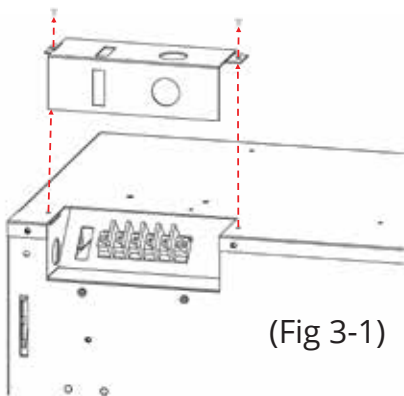
⚠ TURN OFF POWER FROM CIRCUIT BREAKER FIRST

120 Volt Power (5,000 BTU's):

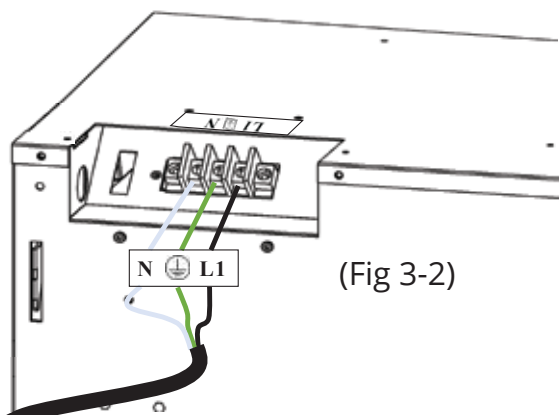
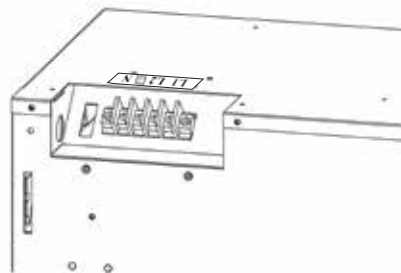
Note:

There are 3 wires from the appliance junction box: white (neutral), black (power L1), and green/bare (ground) that are connected to 120V power source (circuit breaker panel).

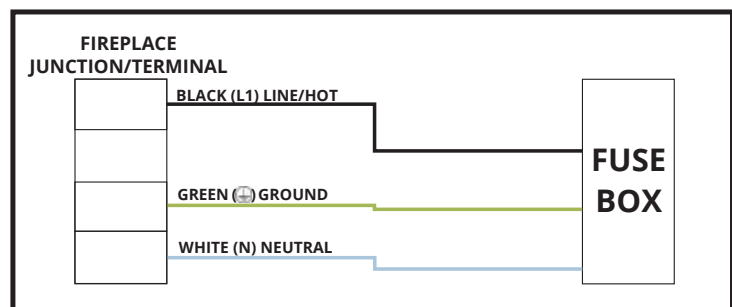
- Ensure power from the circuit breaker is off.
- Remove the 2 securing screws from the junction box cover plate, located on the top left-hand, backside of the appliance (Fig 3-1).
- From the power supply wire, connect the green/bare copper wire to the ground (**G**), the white wire to neutral (**N**), and the black wire to Line 1 (**L1**) (Fig 3-2).



(Fig 3-1)

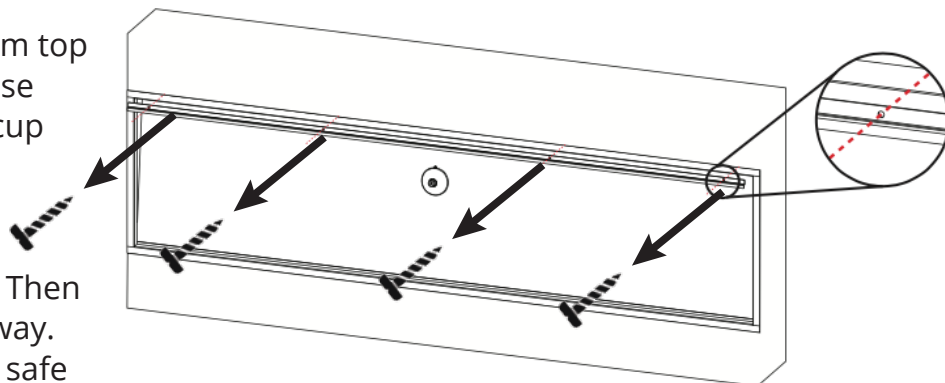


(Fig 3-2)

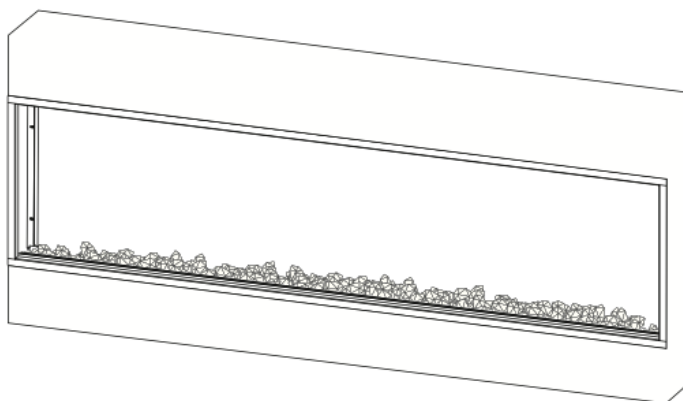


INSTALLING MEDIA AND FRONT GLASS

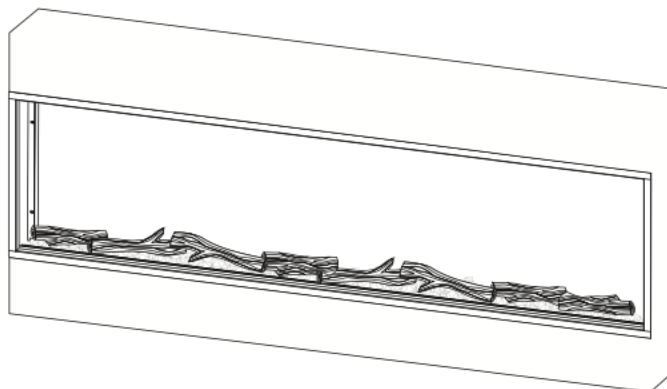
1. Remove screws from top of glass bracket. Use the small suction cup provided in the hardware kit to lean glass towards the front. Then lift glass up and away. Place glass in soft, safe area.



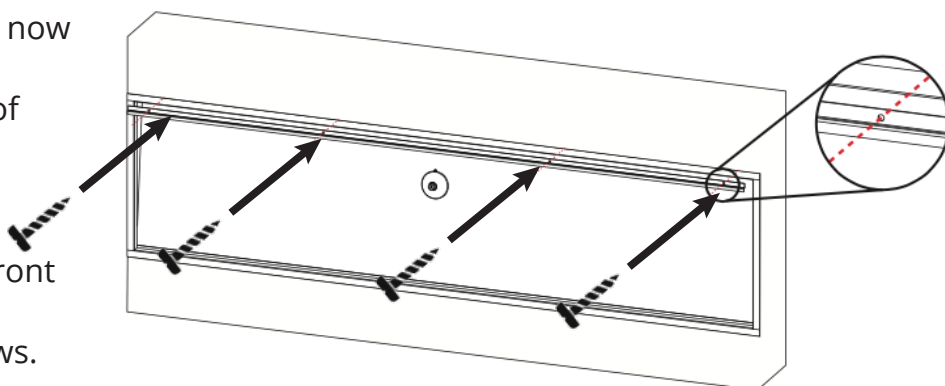
2. The fireplace comes with clear and smoke crystals. Mix crystals together and evenly spread crystals along the ember bed.



3. Place the logs on top of the acrylic crystals.



4. The front glass can now be installed, by installing bottom of glass in track, then tilt towards fireplace. After placing the front glass it can be secured with screws.



REMOTE CONTROL OPERATION

The unit has a main power switch just in front of the glass on the top right hand side. A hand-held remote is included.



	Power	This will cycle the fireplace on and off. Upon cycling power on, the fireplace will return to the settings it had when it was cycled off .
	Home	If the fireplace is on, this button will act as a reset and bring all colors back to the default Modern Flames' signature color.
	Heat	This will cycle the heater between high, low and off .
	Mode	All zones of the fireplace will cycle through various demo modes - 7 & 3 color gradient/fade, 7 & 3 color jump, red/green/blue gradient.
	Speed	This is the speed button. Pressing will cycle the flame & ember bed speeds. Speeds: Low, Medium, Default & High.
	Flame	This is a zone setting. Touching this button will allow you to change the color and brightness of the flame by using the color wheel and brightness slider.
	Ember Bed	This is the Ember Bed light adjustment button. After pressing this button, the color ring and brightness bar will be adjusted, and only the color of the ember bed lamp will be adjusted. Long press this button for 3 seconds to adjust the optional accessory on or off
	Downlight	This is a zone setting that controls the color and brightness of the downlight.
	Color Wheel	This will cycle the selected zone through the colors of the color spectrum.
	Brightness Slider	This will adjust the brightness of the selected zone.

Pairing remote or wall mounted touch control:

Before beginning, read pairing instructions in its entirety. Locate and familiarize yourself with the manual touch controls on the fireplace and your hand held remote. Ensure remote has a battery installed.

1. On the fireplace touch controls, long press the on/off button for 3 seconds until a fast double beeping tone is heard from the fireplace. The power indicator will also flash 3 times in 1 second. This places the fireplace in RF pairing mode.
2. Within 5 seconds of hearing the double beeping tone, either on the handheld remote or wall touch control, press the power button repeatedly until another beeping tone is heard along with the indicator lights flashing. This is the fireplace acknowledging that it has paired. An additional tone may also be heard; this is simply the fireplace completing the pair mode.

NOTE:

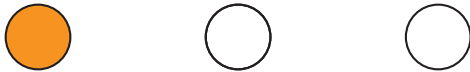
- Pairing must be done within 5 seconds or the fireplace will time out of pairing mode.
- After the initial double beep is heard, do not long press the power button on the remote/pairing device to pair as this may not be successful. Pressing the power button repeatedly is required to ensure the signal is sent from the remote/pairing device to the fireplace.
- To clear any paired remotes/devices from the fireplace, locate the reset button on the fireplace, then long press the reset button for 3 seconds. A beeping tone will indicate that the codes have been cleared. Once cleared, a new remote or wall touch control can now be paired. This will also un-pair any APP that was paired to the fireplace.

SETTING CONTROLS

Toggle Switch: The fireplace has a main toggle switch located next to the manual controls. The toggle switch is in front of the glass on the top right side of the viewing area. When the “-” side of the toggle switch is depressed, the “O” pops up. This is the power-on state of the fireplace.



Power Indicator lights: The fireplace is equipped with Power indicator lights which are located on the upper right corner of the fireplace viewing area.



First light: When the fireplace is in the power-on state, an amber light turns on. The light shows the fireplace is energized and on stand-by for any commands. The amber light turns OFF when the fireplace is turned on and operating.



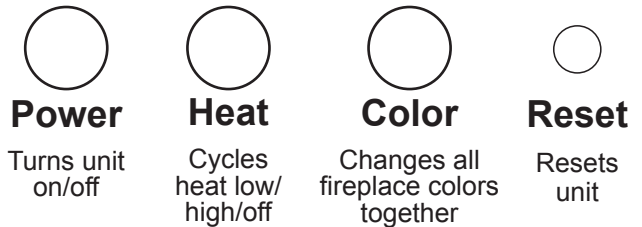
Second light: When the fireplace is powered on and the heater is set to low, the second light turns on. Light will fade away after 6 seconds.



Third light: When the fireplace is powered on and the heater is set to high, the third light turns on. Light will fade away after 6 seconds.

Manual Controls

The fireplace has manual controls located next to the toggle switch, in front of the glass on the top right side of the viewing area.



Power On/Off button: Press once, indicator light turns off and fireplace power turns on. All functions enabled. Press again, flame turns off and fireplace goes to standby. NOTE: Long pressing this button for 3 seconds places fireplace in RF pairing mode.

Heat Button: Pressing heat button cycles the heater and blower on/off. Settings: Heater and blower OFF, Low Heat, and High Heat. Indicator light will match according to status. NOTE: On US LPM, low and high heat have the same heat output when wired for 120 V. Long Press the heater button for 5 seconds to lock/unlock the heater.

Preset Color Button: Press preset color button to cycle through the 8 preset color options. This changes color of all three zones: the flame, ember bed and down light. Colors in order of appearance: MF orange-red-orange-golden orange-green-aqua-blue-magenta

Resetting button: Clears any paired remotes/devices from the fireplace. Once cleared you can pair a new remote or wall touch control. This will also un-pair any APP that was paired to the fireplace. After long pressing the reset button for 3 seconds, a beeping tone will be heard indicating that the pairing codes have been cleared.

Buzzer Tone Change: Long press the on/off and preset color button at the same time to enter the beeping tone cycle mode. Continue to long press both buttons to cycle through the 4 tone options. The tone will change every 2 seconds while releasing the buttons will act as the selection of the tone. The tones in order of appearance are; tone-1, tone-2, tone-3, and silent mode.

SETTING CONTROLS

NOTE: When silent mode is selected, a tone will still be present for performing system functions such as remote pairing or Wi-Fi pairing.

Placing in Wi-Fi Paring Mode:

-EZ Mode: While the fireplace is ON, long press the Preset Color button for 3 seconds. An audible beeping tone will sound and the flame light, ember bed light, and down light will turn to white and begin flashing rapidly. Fireplace is now in EZ pairing mode, which lasts for 2 minutes.

-AP Mode: While the fireplace is ON, long press the Preset Color button for 6 seconds. Two audible beeping tones will sound and then only the FLAME LIGHTS and nothing else will turn to white and begin flashing slowly. Fireplace is now in AP pairing mode, which lasts for 2 minutes.

NOTE: Fireplace is also equipped with Bluetooth pairing. There is no mode setting for the Bluetooth as the APP will automatically detect the Bluetooth signal for pairing when attempting to pair fireplace to Bluetooth.

HOW TO CHANGE REMOTE BATTERY



Link to video on how to change battery in Pro Series remote CR2025 battery



LINK TO DOWNLOAD MOBILE APP



Link to Mobile App for tablets & phones

WIFI REMOTE





 **Power**
Powers unit On & Off.


Flame
This is the flame zone adjustment tab. After pressing this tab, the color ring and brightness bar can be adjusted.


Ember Bed
This is the ember bed zone adjustment tab. After pressing this tab, the color ring and brightness bar can be adjusted.

Downlight
This is the downlight zone adjustment tab. After pressing this tab, the color ring and brightness bar can be adjusted.


 **Sync**
This is a synchronization selector, used to synchronize the current color on the color wheel to all of the zones (Flame/Ember Bed/Downlight). Grayed out SYNC is when synchronization is "OFF". Green SYNC is when synchronization is "ON".

 **Color Wheel**
This is the color adjustment wheel for all zones. Keeping contact on the color circle, the color of the selected zone will change continuously base on where you have your finger.

 **Temperature Read Out**
The number in the color circle is the built-in thermostat temperature reading of the fireplace.

 **Brightness Control**
Brightness adjustment, for all zones depending on tab selected or if sync is on. The brightness of the fireplace changes in real time as the slider is moved.

Heat Control
Heat controls open a drop-down menu. The menu displays off, low, and high. Can be used without thermostat.

 **Thermostat Slider**
Normally inactive while heater is "ON." To use the thermostat while the heater is "ON," activate the thermostat by setting the slider to the desired temperature.
Note: Does not save when turned "OFF."

WIFI REMOTE

Mode Sub Menu



Preset Menu



Mode Button

Mode

Opens a sub menu for selecting presets.

PRESET MENU

> Modern Flames Original

Modern Flames Orange (Static).

> Horizon

Same as remote control, 7 color gradient cycle R->G->B->RG->RB->GB->RGB.

> Trifecta

Same as remote control, R-G-B three color gradient cycle.

> Crimson

Same as remote control, 3 color gradient cycle R->G->B.

> Hillside

Same as remote control, green monochrome fade cycle.

> Island Time

Same as remote control blue monochrome fade cycle.

> Seven Color Demo

Same as remote control, 7 color jump cycles: R->G->B->RG->RB->GB->RGB.

> Three Color Demo

Same as remote control, 3 color jump cycles: R->G->B.

> Custom 1

Custom mode can be modified from "My Ambience" setting. The default color is Red.

> Custom 2

Custom mode can be modified from "My Ambience" setting. The default color is White.

> Custom 3

Custom mode can be modified from "My Ambience" setting. The default color is Blue.

WIFI REMOTE



Timer

Timer

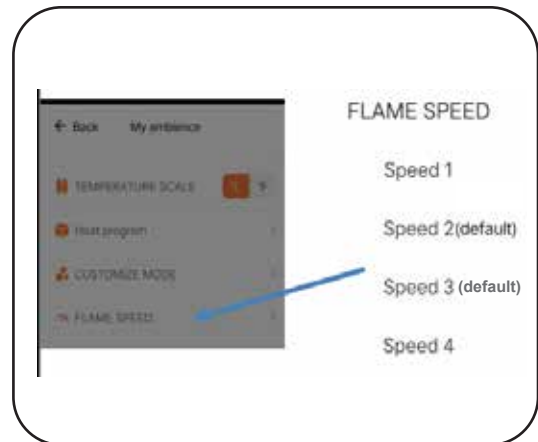
Pressing the timer button will pop up a sub-menu with 10 options to choose from: 0.5-1-2-3-4-5-6-7-8 hours-cancel. Once the selected time has elapsed, the fireplace will turn off.



Ambience Setting

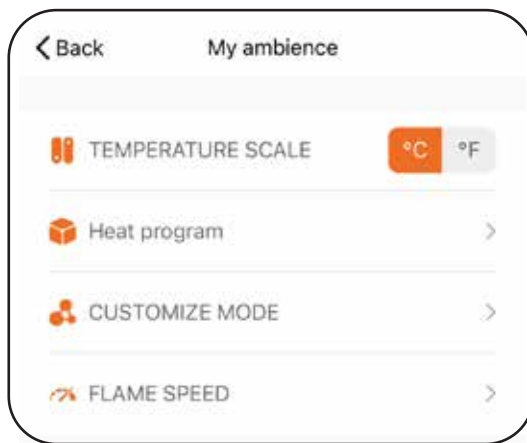
My ambience

The Ambience Setting button will open up a second window where customizations can be performed, including temperature scale setting (C/F), Weekly/Heat programming, Custom mode configuration, and changing speed of the flame and ember bed.



> Flame Speed

Change between 4 speeds: Low, Medium, Default & High.



> Temperature Scale

Set the temperature unit according to needs. "°C" for Celsius and "°F" for Fahrenheit. The main temperature read out will change accordingly.



> Heat Program

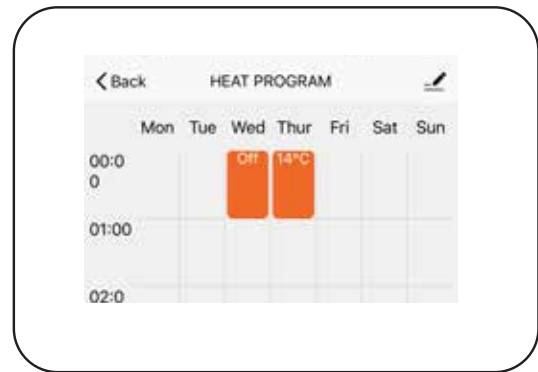
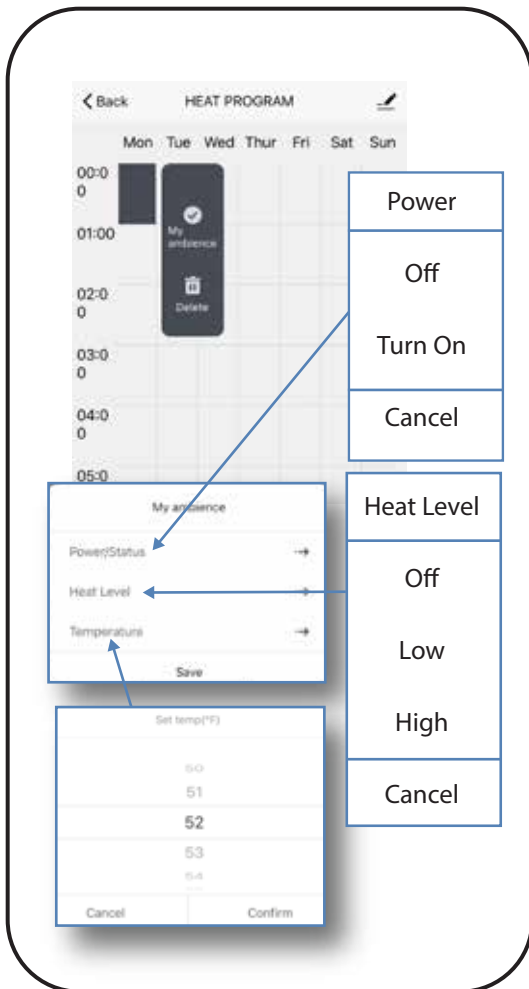
Setup a custom weekly schedule. This includes the state of the fireplace, the heater level and thermostat for the heat if desired. (See Heat Program Sub menu continued for more info.)



> Customize Mode

Configure the custom modes via 4 options: mode name, mode color, Color flash mode, Color flash speed. Includes a preview function. (See Customize Mode Sub menu continued for more info.)

WIFI REMOTE



HEAT PROGRAM SUB MENU CONTINUED

> Power

Sets fireplace status (no heat) OFF/ON.

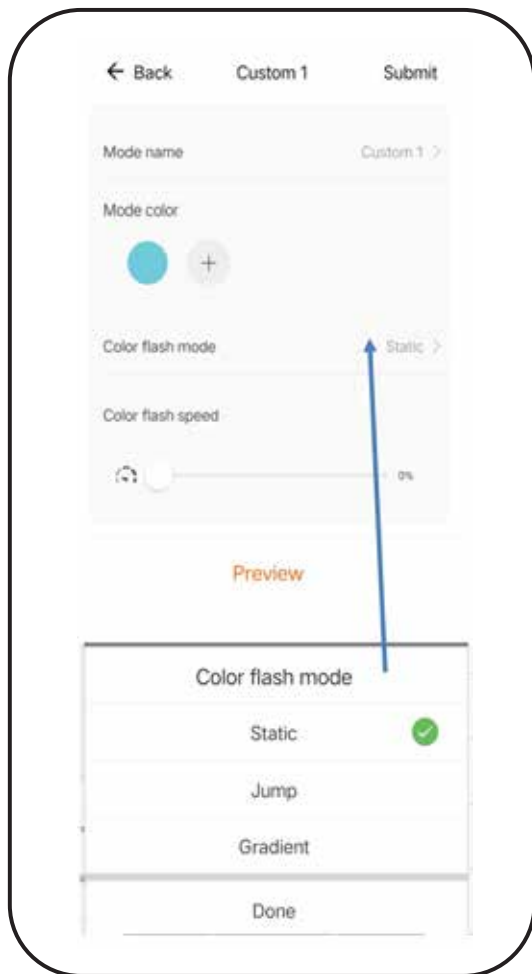
> Heat Level

Sets Heat Level: OFF/LOW/HIGH.

> Temperature

Temperature Level for the heater to turn on if the ambient temperature falls below the set temperature (High Heat).

WIFI REMOTE



CUSTOMIZE MODE SUB MENU

> Mode Name

Custom name of selected mode (default will be present until changed).

> Mode Color

Mode color: In the Static mode, only one color can be selected. After clicking the color symbol, you can change to additional colors. When using the Jump/Gradient feature, 8 colors can be programmed by clicking “+” color.



By adjusting the color sliders, select the corresponding RGB value to obtain the desired color combination..

> Color Flash Mode

Customizing how the color changes.

>Static

No change in brightness and flash and only one color can be selected.

> Jump

Cycles between selected colors, up to 8. Jump speed is selected using the speed slider.

> Gradient

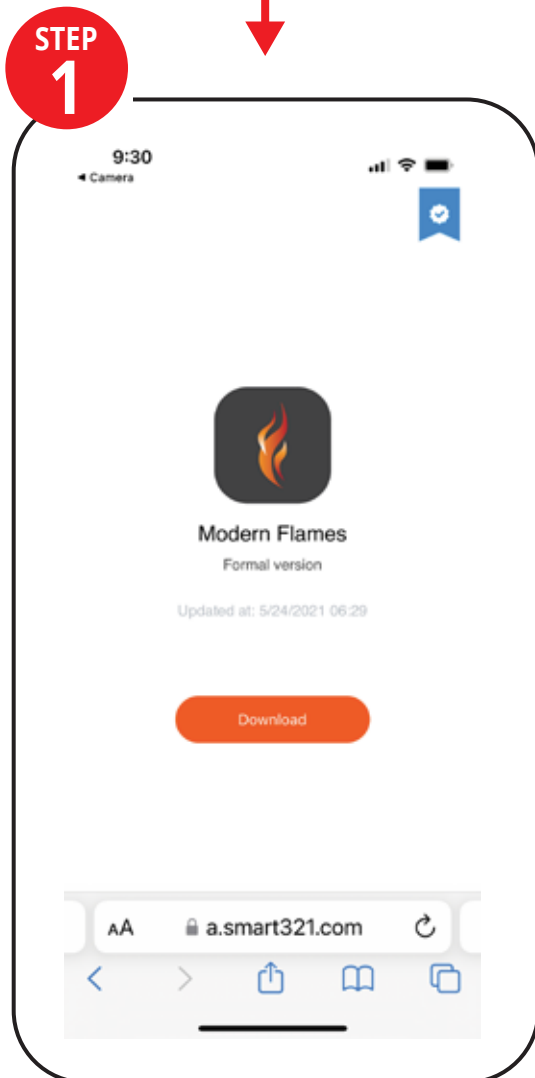
Color progression between chosen colors, up to 8. Gradient speed is selected using the speed slider.

> Preview

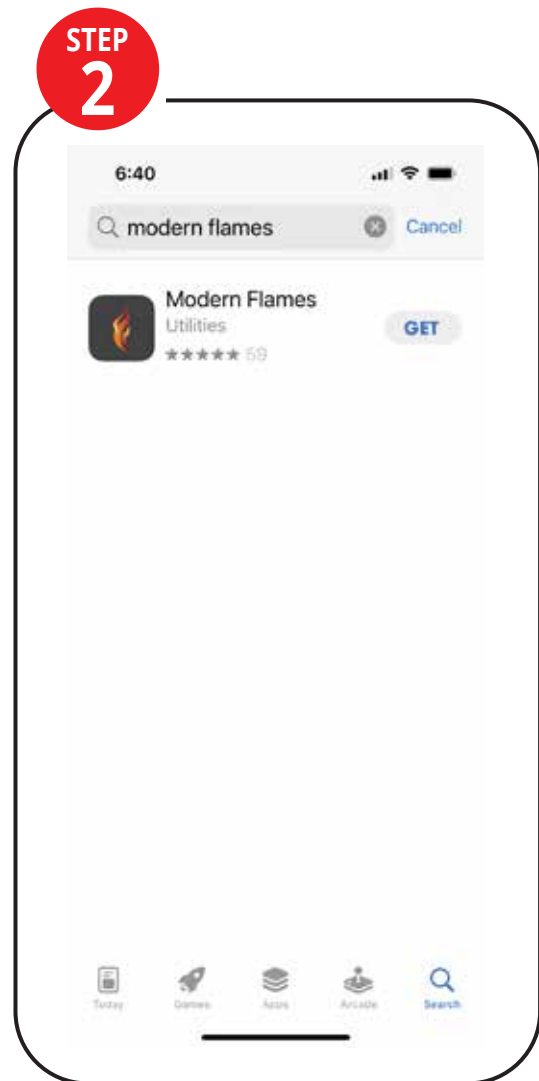
Will Preview any customization being made.

WIFI INITIAL LOG-IN

Search for and install the “MODERN FLAMES” app from Google Play or Apple App store or scan the QR code.

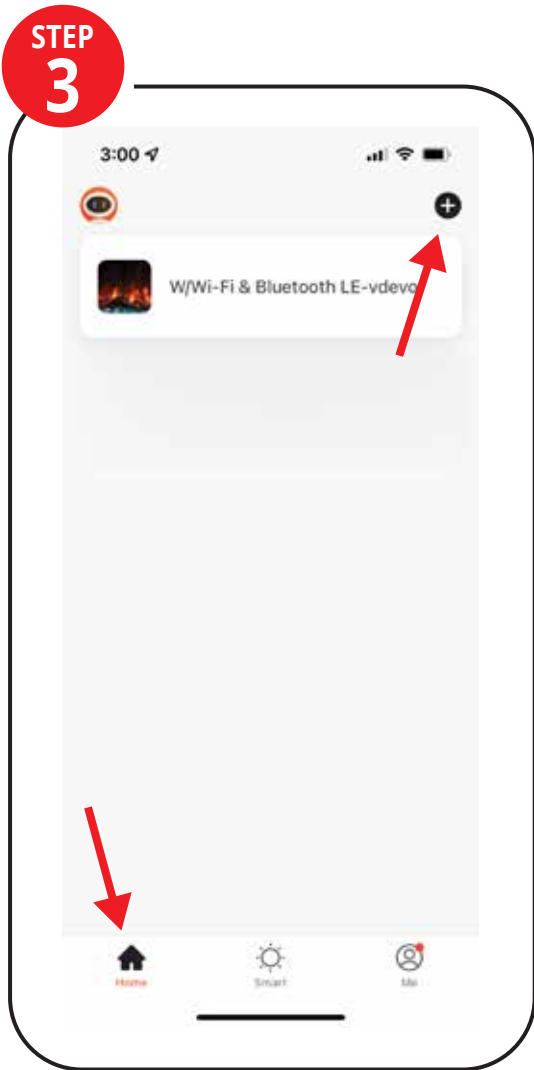


> App Example

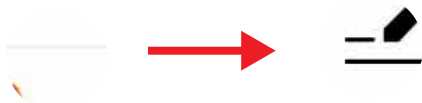


> After Download & Installed
Login to Modern Flames app.

WIFI PAIRING



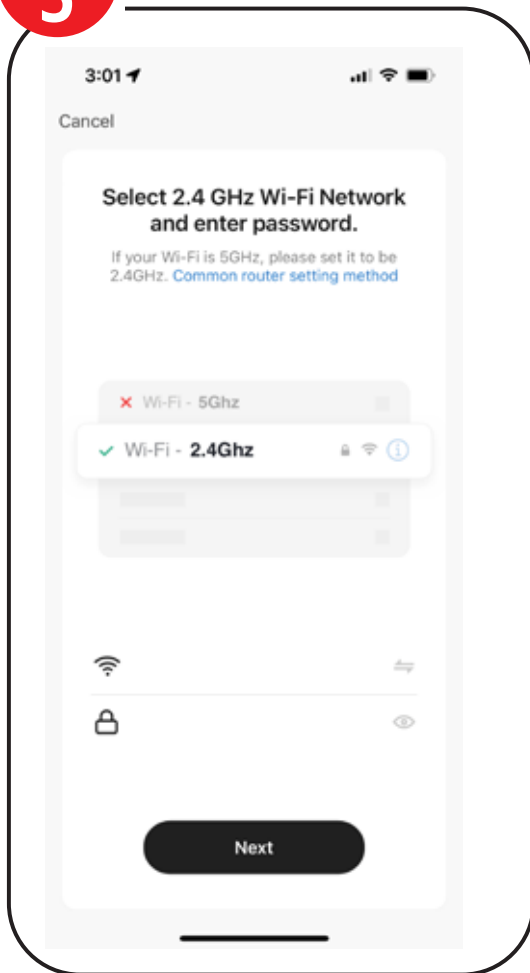
> Once Opened and Logged In
From HOME page,
From the home page, select the add "+"
symbol.



> Select Fireplace
Select series of fireplace that will be
pairing too and follow instructions.

WIFI REMOTE

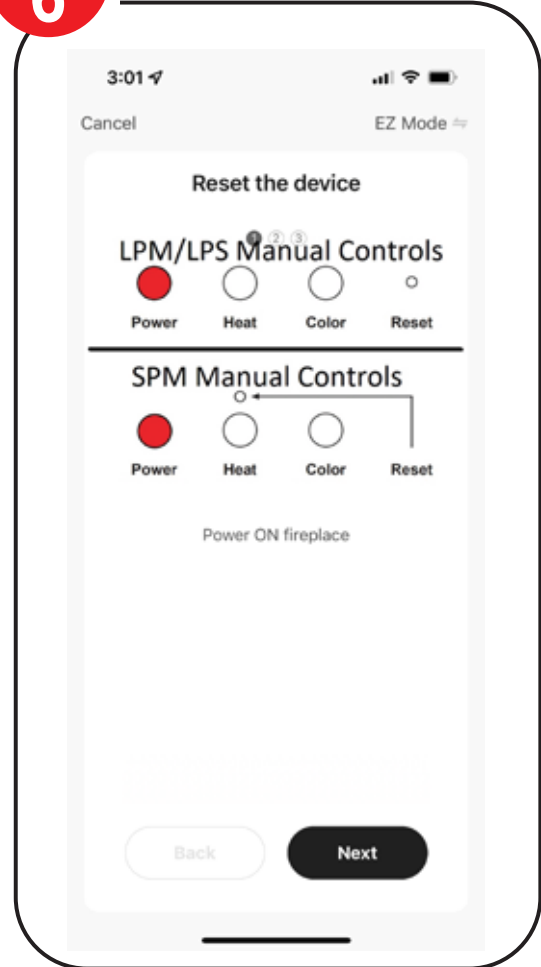
STEP
5



> WiFi Information

If pairing via Wi-Fi you must use 2.4 GHz Wi-Fi, and must have information filled out to move to next step.

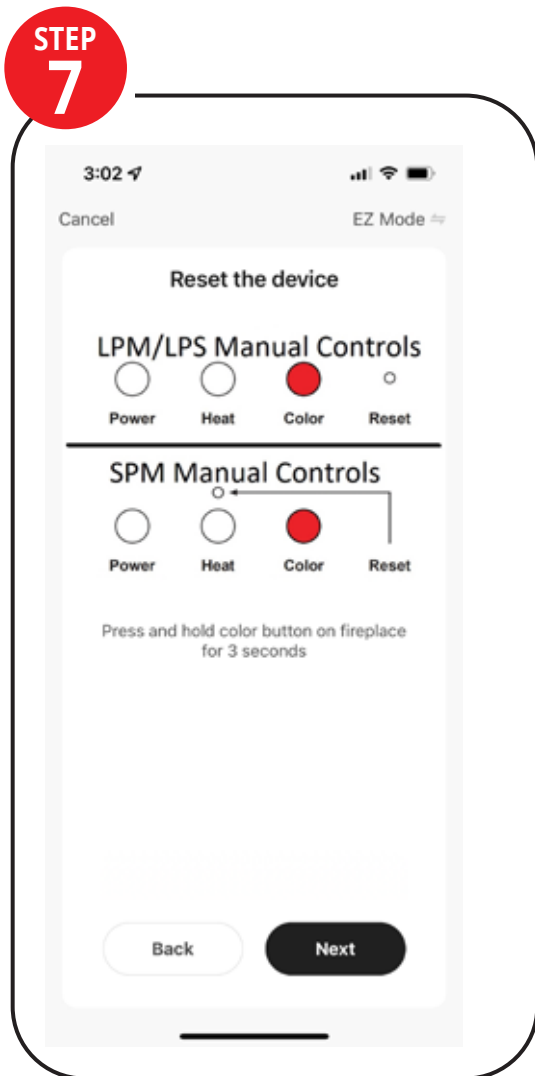
STEP
6



> Ensure Fireplace is ON

Using the fireplace manual touch controls, turn ON the fireplace.

WIFI REMOTE



> Place Fireplace in Pairing Mode

Once fireplace is "ON", place fireplace in Wi-Fi pairing mode following the instructions for pairing mode on the APP. There are 3 types of pairing EZ mode, AP mode and a Bluetooth mode. EZ and AP modes will be displayed accordingly on the top right of the screen. Example displayed is EZ mode.

> Wi-Fi Pairing Confirmed

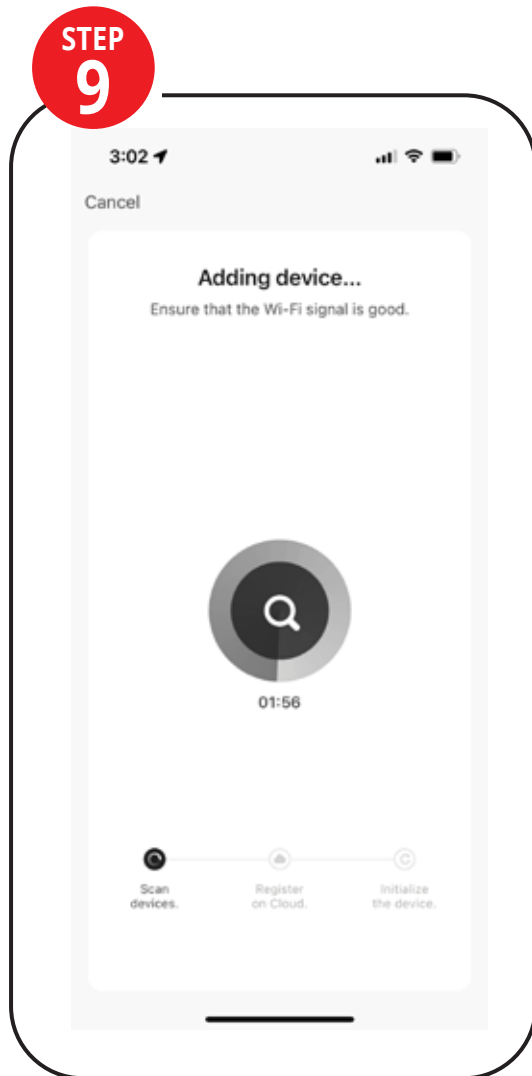
EZ pairing mode is confirmed with a single audible beeping tone is heard and all the lights begin to blink rapidly

AP pairing mode is confirmed with two audible beeping tones are heard and ONLY the FLAME begins blinking slowly.

*Select confirm to move forward to Next step

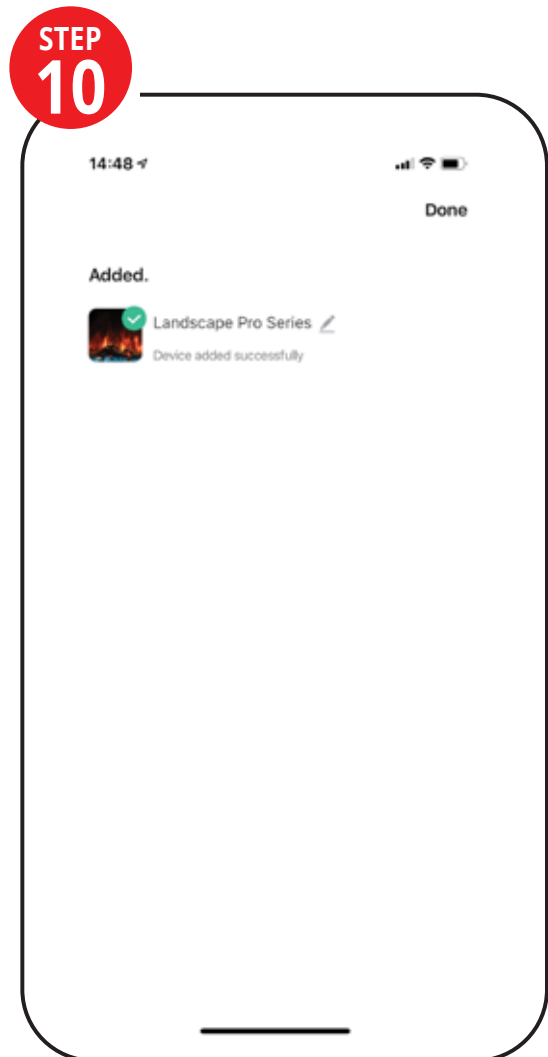
Note: Device remains in pairing mode for 2 minutes.

WIFI REMOTE



> Pairing

Device & APP should now begin to pair. Depending on Wi-Fi this can take up the entire 2 minutes to pair, or it may need to be repeated more than once, if the signal isn't captured the first time.



> Device Paired Successfully

NOTE: Do not turn off or disconnect the fireplace from power while pairing the Wi-Fi or performing updates. Failure to do so can result in damage to the electrical components of the fireplace. Damage as a result of this may not be covered under warranty.

Question or assistance about pairing device contact.

customerservice@modernflames.com
or call (877) 246-9353
Monday-Friday, 8:00 am -5:00 pm (MST).

MAINTENANCE

Spare Parts

Spare Part Description	Modern Flames Part Numbers					
	LPS-4414V2	LPS-5614V2	LPS-6814V2	LPS-8014V2	LPS-9614V2	
FRONT GLASS	04-00023	04-00024	04-00025	04-00026	04-00027	
ACRYLIC PLASTIC PANEL	03-00048	03-00049	03-00050	03-00051	03-00052	
STEP MOTOR			01-00070			
PTC HEATER AND BLOWER COMBO			MF-PRO-PTC-120			
AUS/EU PTC HEATER AND BLOWER COMBO			MF-PRO-PTC/HF-220-240V-INT			
LED FLAME LIGHT SEGMENT			01-00071			
LED EMBER LIGHT INPUT SEGMENT			01-00073			
LED EMBER LIGHT ADD ON SEGMENT			01-00074			
LED DOWNLIGHT INPUT SEGMENT			01-00095			
LED DOWNLIGHT ADD ON SEGMENT			01-00096			
REMOTE CONTROL			01-00075			
TOUCH-ON CONTROL PANEL			MF-PRO-MTC			
CIRCUIT BOARD			01-00077			
ADD-ON POWER BOARD	N/A	N/A	01-00078	01-00078	01-00078	01-00078
THERMOSTAT (NTC)			MF-PRO-NTC			
METAL 1PC TRIM	02-00251	02-00252	02-00253	02-00254	02-00255	
WALL MOUNTING BRACKET	02-00256	02-00257	02-00258	02-00259	02-00260	
HARDWARE KIT			09-00003			
CRYSTAL, CLEAR			03-00058			
CRYSTAL, SMOKED			03-00059			
LOG SET	05-00099	05-00100	05-00101	05-00102	05-00103	
METAL SIDE BRACE FOR PLASTIC PANEL			02-00267			
METAL TOP BRACE FOR GLASS FACE	02-00268	02-00269	02-00270	02-00271	02-00272	
METAL, RECESS BRACKET, MOUNTING (x1)			02-00007			
POWER SWITCH			MFPS2			

INDIVIDUAL LOGS	PART NUMBERS
LOG #1	05-00083
LOG #2	05-00084
LOG #3	05-00085
LOG #4	05-00086
LOG #5	05-00087
LOG #6	05-00088
LOG #7	05-00089
LOG #8	05-00090
LOG #9	05-00091
LOG #10	05-00092
LOG #11	05-00093
LOG #12	05-00094
LOG #13	05-00095
LOG #14	05-00096
LOG #15	05-00097
LOG #16	05-00098

TROUBLE SHOOTING

PROBLEM	POSSIBLE CAUSE	CORRECTIVE ACTION
Nothing comes on (touch screen, etc.)	<ul style="list-style-type: none"> A. Breaker tripped or circuit has no power B. Internal component is frozen and needs to be reset C. Loose connection D. Defective component 	<ul style="list-style-type: none"> A. Reset breaker, test circuit for power, check power switch B. Turn power off at the main breaker for 60 seconds. Turn power back on. C. Inspect wiring for loose or damaged connection D. Replace motherboard, touch control or power switch
Touch Screen Comes on - then nothing	<ul style="list-style-type: none"> A. Not operating touch control properly with finger B. Loose connection on motherboard C. Motherboard is defective 	<ul style="list-style-type: none"> A. Press flat part of finger firmly on the touch screen and apply moderate pressure B. Check functions with remote control. If functional, check connections on motherboard C. Replace Motherboard
Fireplace turns off and will not turn back on	<ul style="list-style-type: none"> A. Fireplace has overheated and safety disc has snapped or circuit breaker has tripped 	<ul style="list-style-type: none"> A. Turn the main breaker to the "off" position for 60 seconds. Next flip the breaker back to "on" position.
Can operate fireplace functions with manual controls but not remote control	<ul style="list-style-type: none"> A. Low Batteries B. Remote not paired properly C. Remote control defective 	<ul style="list-style-type: none"> A. Replace batteries in remote control with - CR2025 B. With the fireplace ON, press and hold the Power button for about 3 seconds until you hear the buzzer sound twice and the power indicators begin to flash. Within 5 seconds on the hand held remote or wall touch control press the Power button repeatedly until the buzzer sounds again and the indicators flash acknowledging that it has paired. You may also hear another buzzer and the pair is now completed. C. Replace remote control
Heater does not provide heat when on	<ul style="list-style-type: none"> A. Wiring is loose B. Snap disc tripped C. Heater core is defective 	<ul style="list-style-type: none"> A. Disconnect unit from power source and inspect for loose connections B. Turn off for 5 minutes to reset C. Replace Heater Core
Flame is not visible when unit is turned on	<ul style="list-style-type: none"> A. Wiring is loose B. LEDs defective C. Motherboard is defective 	<ul style="list-style-type: none"> A. Disconnect unit from power source and inspect for loose connections B. Replace LEDs C. Replace motherboard
Fireplace lights up but there is no flame image or flame image frozen	<ul style="list-style-type: none"> A. Wiring for motor is loose B. Spindle rod came loose C. Motor is defective 	<ul style="list-style-type: none"> A. Disconnect unit from power source and inspect for loose connections from motor B. Reconnect spindle rod C. Replace motor
Fireplace is squeaking when flame image is on	<ul style="list-style-type: none"> A. Fireplace spindle/rod is contacting to metal B. Motor is defective 	<ul style="list-style-type: none"> A. Apply lithium grease or any standard grease to contacts with rod and metal and rubber bushings B. Replace motor

FREQUENTLY ASKED QUESTIONS

- Q. How do you change the optional Wall Touch Control to Fahrenheit/Celsius?
A. **Long press on the up and down arrows on the fire unit to toggle between Fahrenheit and Celsius.**
- Q. What distance can the remote be used from the fireplace?
A. **Optimal distance for the remote control is maximum 20 feet.**
- Q. Can you turn on the fireplace via the manual control and off via the remote (or vice versa)?
A. **Yes.**
- Q. Can the fireplace be installed outside?
A. **Yes. Please review the entire safety chapter before installing this fireplace outside.**
- Q. Does the fireplace need to be on a dedicated 20 amp circuit?
A. **Yes.**
- Q. What thickness of sheetrock should be used for the recessed installation?
A. **1/2" or 5/8", thinner is recommended for tile facade.**
- Q. How often do the batteries in the remote need to be replaced?
A. **Annually, possibly more with heavy use.**
- Q. Is there a remote receiver in the fireplace that requires batteries?
A. **No, only the actual remote requires batteries. The rest of the fireplace runs entirely off of the main power supply.**
- Q. How do I reset the unit?
A. **Turn power off at the breaker for 1 minute.**
- Q. How do I install the Optional Wall Control and Wi-Fi App?
A. **Optional wall control & Wi-Fi app instructions available for download on Modern Flames' website**

FCC CAUTION

This device complies with part 15 of the FCC Rules. Operation is subject to the following two conditions: (1) this device may not cause harmful interference, and (2) this device must accept any interference received, including interference that may cause undesired operation.

Any changes or modifications not expressly approved by the party responsible for compliance could void the user's authority to operate the equipment.

NOTE: This equipment has been tested and found to comply with the limits for a Class B digital device, pursuant to Part 15 of the FCC Rules. These limits are designed to provide reasonable protection against harmful interference in a residential installation. This equipment generates, uses and can radiate radio frequency energy and, if not installed and used in accordance with the instructions, may cause harmful interference to radio communications. However, there is no guarantee that interference will not occur in a particular installation.

If this equipment does cause harmful interference to radio or television reception, which can be determined by turning the equipment off and on, the user is encouraged to try to correct the interference by one or more of the following measures:

- Reorient or relocate the receiving antenna.
- Increase the separation between the equipment and receiver.
- Connect the equipment into an outlet on a circuit different from that to which the receiver is connected.
- Consult the dealer or an experienced radio/TV technician for help.

To maintain compliance with FCC's RF exposure guidelines, this equipment should be installed and operated with minimum distance between 20cm the radiator your body: Use only the supplied antenna.

DO NOT RETURN TO STORE!



CALL US FIRST

For immediate help with installation, product information or if your product arrives damaged, please call our toll free number at:

1-877-246-9353

(Monday - Friday, 8:00AM - 5:00PM, AZ Mountain Time)

Or email us at:

customerservice@modernflames.com

OUR STAFF IS READY TO PROVIDE ASSISTANCE

RPG BRANDS

MODERN  FLAMES[®]
ELECTRIC FIREPLACES

EST. IN ARIZONA
WILDFIRE
OUTDOOR LIVING


GRAND CANYON
GAS LOGS

customerservice@modernflames.com

modernflames.com

Copyright © 2022 RPG Brands (Modern Flames). All rights reserved. Products and specifications subject to change without notice.
The product images shown are for illustration purposes only and may not be an exact representation of the product.

022023