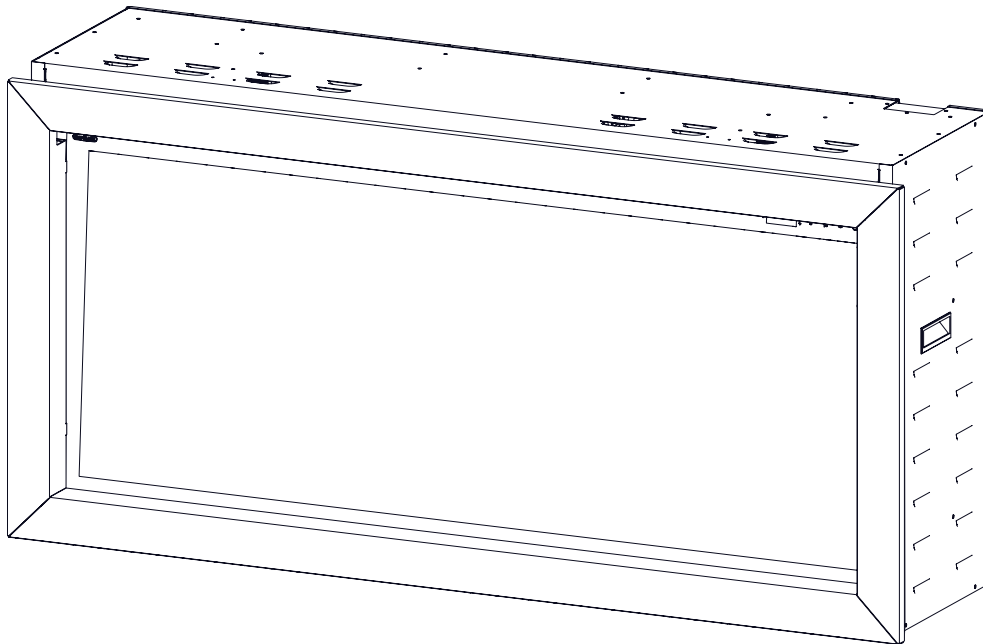




INSTALLATION AND OPERATION MANUAL

Astound-Built In™ Series



SAFETY INFORMATION

⚠ WARNING

FIRE OR EXPLOSION HAZARD

If the information in these instructions are not followed exactly, a fire or explosion may result causing property damage, personal injury, or loss of life.

- Do not store or use gasoline or other flammable vapors and liquids in the vicinity of this or any other appliance.

INSTALLER:

Leave this manual with the appliance

CONSUMER:

Retain this manual for future reference

FOR INDOOR USE ONLY

CERTIFIED TO THE CANADIAN AND AMERICAN NATIONAL STANDARDS:
CSA 22.2 NO. 46 / UL 2021



Wolf Steel Ltd., 24 Napoleon Rd., Barrie, ON, L4M 0G8 Canada / 103 Miller Drive, Crittenden, Kentucky, USA, 41030
Phone 1 (866) 820-8686 • www.napoleon.com • hearth@napoleon.com

WARNING

- **If equipped with a heater, this appliance can be hot when operated and can cause severe burns if contacted.**
- Do not operate appliance before reading and understanding operating instructions. Failure to operate appliance according to operating instructions could cause fire or injury.
- Do not install damaged, incomplete or substitute components.
- Do not burn wood or other materials in this appliance.
- All electric appliances have hot and arcing or sparking parts inside. Do not use it in areas where a gas line, paint or flammable liquids are present.
- Any safety screen or guard removed for servicing must be replaced prior to operating the appliance.
- It is imperative that the control compartments, circulating blower and its passageway in the appliance are kept clean. The appliance should be inspected before use and at least annually by a qualified service person. More frequent cleaning may be required due to excessive lint from carpeting, bedding material, etc. The appliance area must be kept clear and free from combustible materials, gasoline and other flammable vapors and liquids.
- Under no circumstances should this appliance be modified.
- Do not use this appliance if any part has been under water. Immediately call a qualified service technician to inspect the appliance and to replace any part of the control system which has been under water.
- If equipped with a glass door, do not operate the appliance with the glass door removed, cracked or broken. Replacement of the glass should be done by a licensed or qualified service person. Do not strike or slam shut the appliance glass door.
- Keep the packaging material out of reach of children and dispose of the material in a safe manner. As with all plastic bags, these are not toys and should be kept away from children and infants.
- Servicing should be done only while the appliance is disconnected from the power supply circuit.
- Always unplug appliance when not in use.
- Do not operate this appliance with a damaged cord or plug after the appliance malfunctions, has been dropped or damaged in any manner. Return appliance to authorized service facility for examination, electrical or mechanical adjustment, or repair.
- Do not use outdoors.
- When installing this appliance in a room where water is present, the installation must comply with codes recognizing the increased hazard of electrical shock and electrocution.

note:

This appliance is NOT suitable for installation in a bathroom.

- Do not run cord under carpeting. Do not cover cord with throw rugs, runners, or the like. Arrange cord away from traffic area and where it will not be tripped over.
- Connect to properly grounded outlets only.
- Do not insert or allow foreign objects to enter any ventilation or exhaust opening as this may cause an electric shock or fire, or damage the appliance.
- It is normal for your electric appliance to produce noise, especially when installed in a quiet space such as a bedroom.

! WARNING

- To prevent a possible fire, do not block air intakes or exhaust in any manner. Do not use on soft surfaces, like a carpet, where openings may become blocked.
- Always plug appliances directly into a wall outlet/receptacle. Never use an extension cord or relocatable power tap (outlet/power strip).
- These appliances are tested and listed for use only with the optional accessories listed in these instructions. Use of optional accessories not specifically tested for this appliance could void the warranty and/or result in a safety hazard.

For appliances equipped with a heater:

- Risk of burns. Power to the appliance should be turned off and the appliance allowed to cool before servicing. To disconnect power to the appliance, turn controls to off, then remove plug from outlet.
- Young children should be carefully supervised when they are in the same room as the appliance. Toddlers, young children and others may be susceptible to accidental contact burns. A physical barrier is recommended if there are at risk individuals in the house. To restrict access to an appliance or stove, install an adjustable safety gate to keep toddlers, young children and other at risk individuals out of the room and away from hot surfaces.
- Clothing or other flammable material should not be placed on or near the appliance.
- Due to high temperatures, the appliance should be located out of traffic and away from furniture and draperies.
- Ensure you have incorporated adequate safety measure to protect infants/toddlers from touching hot surfaces.
- Even after the appliance is off, the glass and/or screen will remain hot for an extended period of time.
- Check with your local hearth specialty dealer for safety screens and hearth guards to protect children from hot surfaces. These screens and guards must be fastened to the floor.
- Ensure clearances to combustibles are maintained when building a mantel or shelves above the appliance. Elevated temperatures on the wall or in the air above the appliance can cause melting, discoloration or damage to decorations, a TV or other electronic components.

! WARNING: This product can expose you to chemicals including lead and lead compounds, which are known to the State of California to cause cancer, and chemicals including BBP and DEHP, which are known to the State of California to cause birth defects or other reproductive harm. For more information, go to www.P65Warnings.ca.gov

This device complies with Part 15 of the FCC Rules. Operation is subject to the following two conditions: 1) The device may not cause harmful interference; and 2) the device must accept any interference received, including interference that may cause undesired operation.

Changes or modifications not expressly approved by the party responsible for compliance could void the user's authority to operate the equipment.

NOTE: This equipment has been tested and found to comply with the limits for a Class B digital device, pursuant to Part 15 of the FCC Rules. These limits are designed to provide reasonable protection against harmful interference in a residential installation. This equipment generates, uses, and can radiate radio frequency energy and, if not installed and used in accordance with the instructions, may cause harmful interference to radio communications. However, there is no guarantee that interference will not occur in a particular installation.

If this equipment does cause harmful interference to radio or television reception which can be determined by turning the equipment off and on, the user is encouraged to try to correct the interference by one or more of the following measures:

- Reorient or relocate the receiving antenna.
- Increase the separation between the equipment and receiver
- Connect the equipment into an outlet on a circuit different from that to which the receiver is connected.
- Consult the dealer or an experienced radio/TV technician for help.

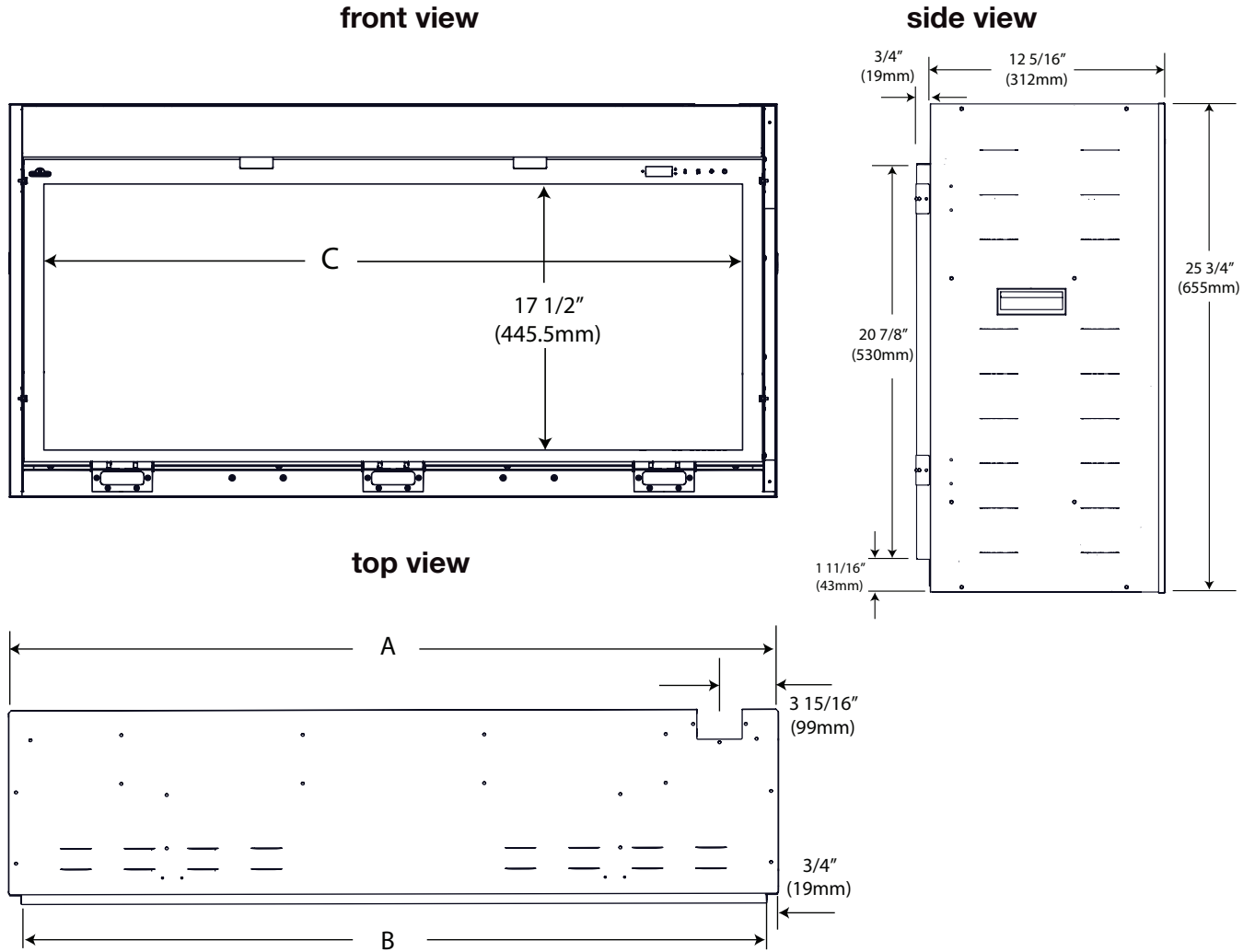
NOTE: This device and its antenna(s) must not be co-located or operation in conjunction with any other antenna or transmitter.

1.0	general information	5
1.1	dimensions	5
1.2	listing approvals	6
1.3	general instructions	6
1.4	unpacking and testing the appliance	7
1.5	hardware list	7
1.6	rating plate information	8
1.7	label location	9
2.0	installation overview	10
2.1	minimum mantel clearances	11
2.2	rough framing	11
2.3	unit preparation	12
3.0	electrical information	13
3.1	120V hard wiring	14
3.2	240V hard wiring	15
3.3	wall mount controller installation	15
4.0	finishing material	16
4.1	finishing materials	16
4.1.1	screw-safe areas	16
4.2	installing combustible and non-combustible materials	16
4.3	media installation	17
4.4	front glass installation and removal	18
4.5	trim installation	21
5.0	wiring diagram	22
6.0	operation	23
6.1	operating control panel	23
6.2	operating remote control	24
6.3	operating wall-mount control	27
7.0	napoleon connectivity	28
7.1	connecting to app	29
7.2	using the app	31
7.2.2	heat setting	31
7.2.1	power setting	31
7.2.3	ember bed setting	32
7.2.4	flame setting	32
7.2.5	accessory lights settings	33
7.2.6	timer settings	33
8.0	maintenance	34
8.1	cleaning	34
8.2	heater lock out switch	34
9.0	replacement parts	35
9.1	NEFB50/62/74/96AB	36
10.0	troubleshooting	37
11.0	warranty	39

note:

The information throughout this manual is believed to be correct at the time of printing. Wolf Steel Ltd. reserves the right to change or modify any information within this manual at any time without notice. Changes, other than editorial, are denoted by a vertical line in the margin.

1.1 dimensions



Dimensions			
Model No.	A (outside width)	(B) finishing opening	(C) viewing area
NEFB50AB	50 1/4"	48 5/8"	45 3/4"
	1276mm	1234mm	1162mm
NEFB62AB	62 1/4"	60 5/8"	57 3/4"
	1579mm	1539mm	1467mm
NEFB74AB	74 1/4"	72 5/8"	69 3/4"
	1882mm	1844mm	1772mm
NEFB96AB	96 1/4"	94 5/8"	91 3/4"
	2441mm	2402mm	2330mm

general information

1.2 listing approvals

Model No.	Net Weight	Gross Weight
NEFB50AB	132 lbs (60kg)	158 lbs (72kg)
NEFB62AB	156 lbs (71kg)	189 lbs (86kg)
NEFB74AB	183 lbs (83kg)	229 lbs (104kg)
NEFB96AB	227 lbs (103kg)	282 lbs (128kg)

Description	Electric Appliance
Type	Recess into wall/Build-in only
Voltage	120V AC / 240V AC *
Watts	MAX 1500W / 3000W *
Amps	Dedicated 15 AMP Grounded Circuit

This appliance has been tested in accordance with the CSA Standards for fixed and location-dedicated electric room appliances in the United States and Canada. If you need assistance during installation, please contact your local dealer.

note:

This appliance must be electrically wired and grounded in accordance with local codes or, in the absence of local codes, with the latest edition of the National Electrical Code ANSI/NFPA 70 in the United States or the Canadian Electrical Code, CSA C22.1 in Canada.

1.3 general instructions

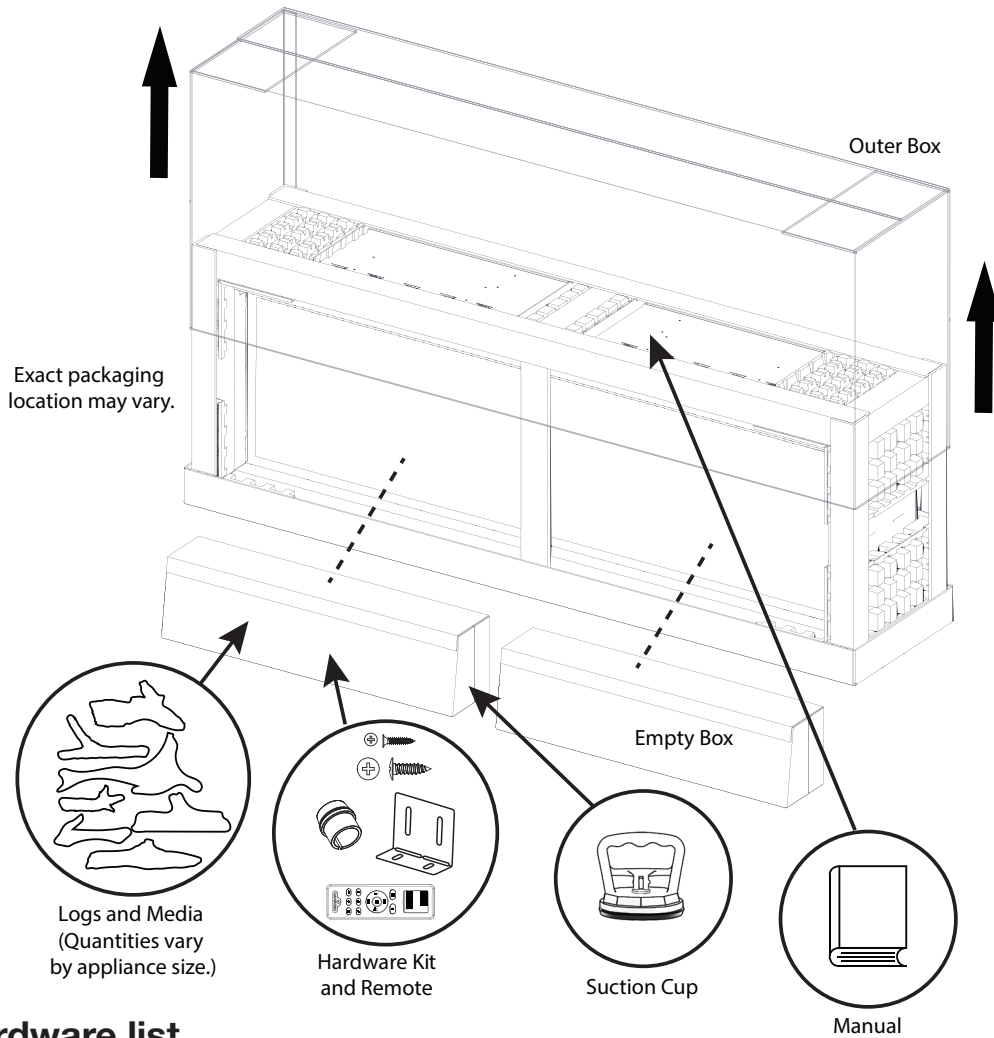
- Prior to plugging your appliance into an electrical outlet, verify that the house circuit breakers for the outlet are on.
- The appliance may emit a slight, harmless odour when first used. This odour is normal and it is caused by the initial heating of internal appliance elements and will not occur again.
- If your appliance does not emit heat when called for, consult the “operation” section of this manual for further information.

This electric appliance meets the construction and safety standards of H.U.D. for application in manufactured homes when installed according to these instructions.

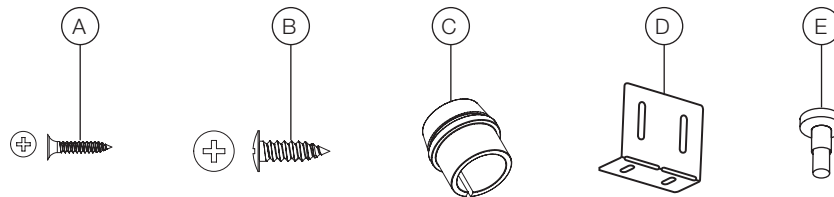
As with most electronic devices, your new electric appliance has been designed to operate at temperatures between 5°C (41°F) and 35°C (95°F). During the colder winter months, allow the appliance to reach room temperature before turning it on.

1.4 unpacking and testing the appliance

Ensure to unpack this appliance with 2 people. Reference the hardware list (see “hardware list” section) to prepare for installation.



1.5 hardware list



Hardware List					
Item	Description	Quantity			
		NEFB50AB	NEFB62AB	NEFB74AB	NEFB96AB
A	Wood Screws	8			
B	ST4x12 Metal Screws	8			
C	Strain Relief	1			
D	Mounting Bracket	4			
E	Adjustable Pin Screws	4			

general information

1.6 rating plate information

The below illustration is for reference only. Refer to the appliance rating plate for accurate information.

CERTIFIED UNDER CANADIAN AND AMERICAN NATIONAL STANDARD: CSA 22.2 NO. 46 AND UL 2021 / HOMOLOGUÉ SELON LES NORMES NATIONALES CANADIENNES ET AMÉRICAINES: CSA 22.2 NO. 46 UL ET 2021
ELECTRIC FIREPLACE. SUITABLE FOR BEDROOM AND BED-SITTING ROOM INSTALLATION.
SUITABLE FOR MOBILE HOME INSTALLATION. FOYER À ÉLECTRIQUE. HOMOLOGUÉ POUR
INSTALLATION DANS UNE CHAMBRE À COUCHER, UNE SALLE DE BAIN ET UN STUDIO. APPROPRIÉ POUR
INSTALLATION DANS UNE MAISON MOBILE.

CSA **UL**
C US
MASTER CONTRACT: 161746
CONTRAT-CADRE: 161746

FC

NEFB50AB NEFB74A
 NEFB62AB NEFB38AB

VOLTAGE: 120V AC / 240V AC **TENSION:** 120V AC / 240V AC
FREQUENCY: 60Hz **FRÉQUENCE:** 60Hz
POWER: 1500W / 3000W **PUISSANCE:** 1500W / 3000W
DATE CODE: **CODE DE DATE:**
DESIGNED IN NORTH AMERICA DÉSIGNÉ EN AMÉRIQUE DU NORD
BY WOLF STEEL LTD. PAR WOLF STEEL LTÉE.
MADE IN CHINA FABRIQUÉ EN CHINE

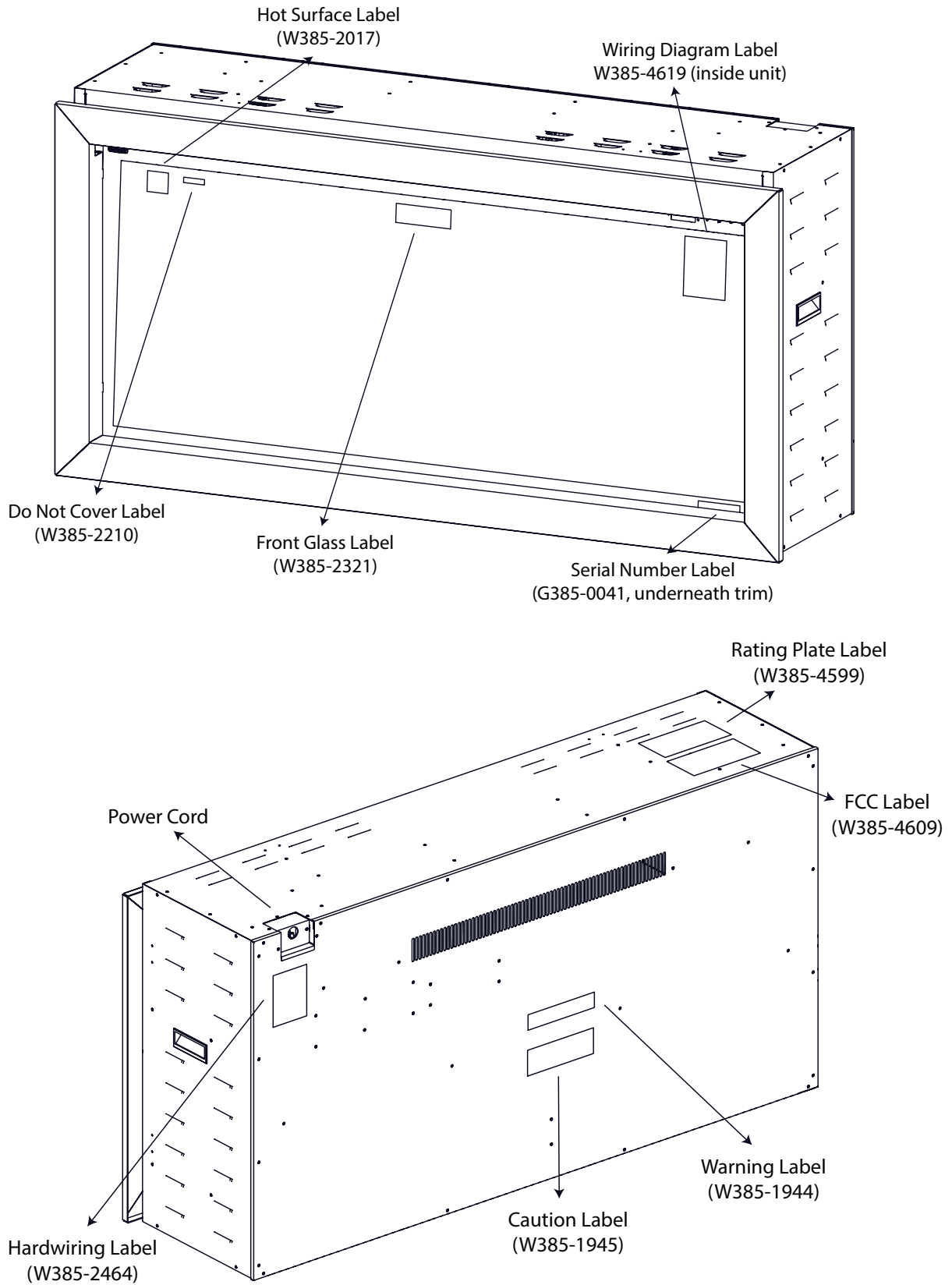
WOLF STEEL LTD.
24 NAPOLEON ROAD
BARRIE, ON, L4M 0G8 CANADA

SERIAL NUMBER/NO. DE SÉRIE: **NEFBXXAB** W385-4599 / A

note:

The rating plate must remain with the appliance at all times. It must not be removed.

1.7 label location



2.0 installation overview

! WARNING

- Risk of fire! The power cord must not be pinched against a sharp edge. Secure cord to avoid tripping or snagging to reduce the risk of fire, electric shock, or personal injury. Do not run cord under carpeting. Do not cover cord with throw rugs, runners, or similar items. Arrange cord away from traffic areas and where it will not be tripped over.
- Risk of fire! To prevent a possible fire, do not block air intake or exhaust in any manner. Do not use on soft surfaces where openings may become blocked.
- Risk of fire! Do not blow or place insulation against the appliance.
- This electric appliance is tested and listed for use only with the approved optional accessories. Use of optional accessories not specifically tested for this electric appliance could void the warranty and/or result in a safety hazard.
- If the information in these instructions is not followed exactly, a fire or explosion may result causing property damage, personal injury, or death. Do not store or use gasoline or other flammable vapors in the vicinity of this or any other appliance.
- This appliance is heavy. It is highly recommended that two people install this appliance.
- If your appliance is equipped with a heater, ensure the heater vents cannot, in any way, be covered as it may create a fire hazard.

Your appliance is a recessed installed appliance. Select a suitable location that is not susceptible to moisture and is away from drapes, furniture and high traffic areas.

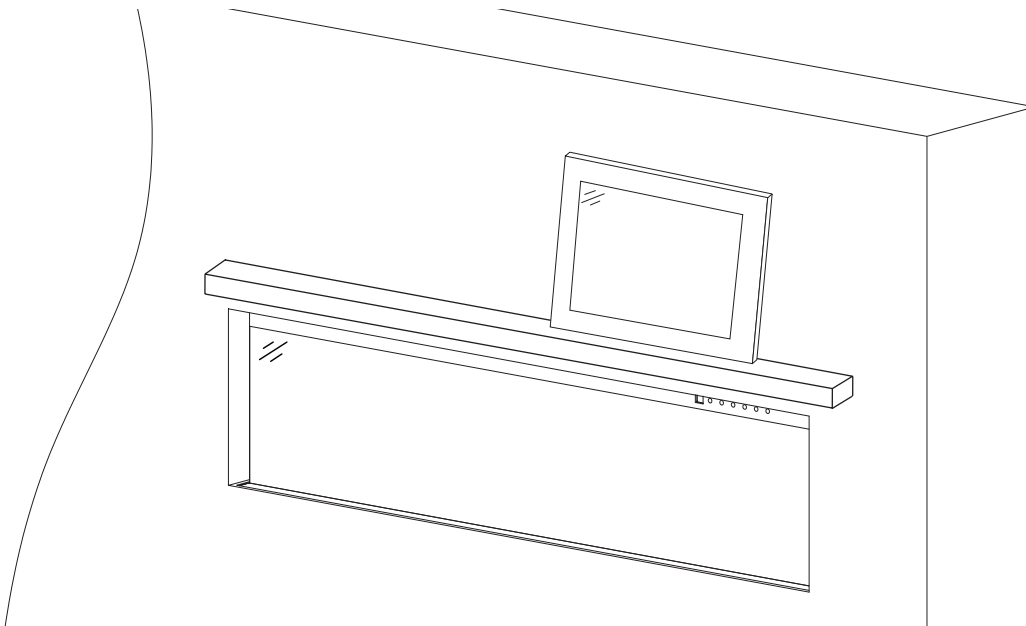
note:

Follow all national and local electrical codes.

Due to the many different materials used on different walls, it is highly recommended that you consult your local builder before you install this appliance.

This appliance must be installed fully recessed into an enclosure. This appliance cannot be hung on the wall.

1. Select a location that is not prone to moisture and is located at least 36" (91.4cm) away from combustible materials such as curtain drapes, furniture, bedding, paper, etc.
2. The installation consists of 6 major steps: rough framing, unit installation, hardwiring, finishing material, fireplace log media, and glass and trim installation. Each step must be completed before advancing to the next stage to achieve a seamless installation and to avoid damaging the product or enclosure.

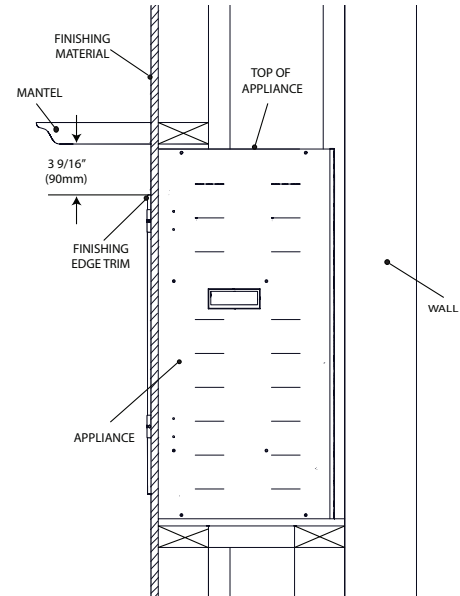


2.1 minimum mantel clearances

! WARNING

- When using paint or lacquer to finish the mantel, the paint or lacquer must be heat resistant to prevent discolouration.

Measurements are taken from the top of the appliance:	
Bottom, Sides, and Back	0"
Top	0" recessed into wall and 3 9/16" (90mm) to mantel



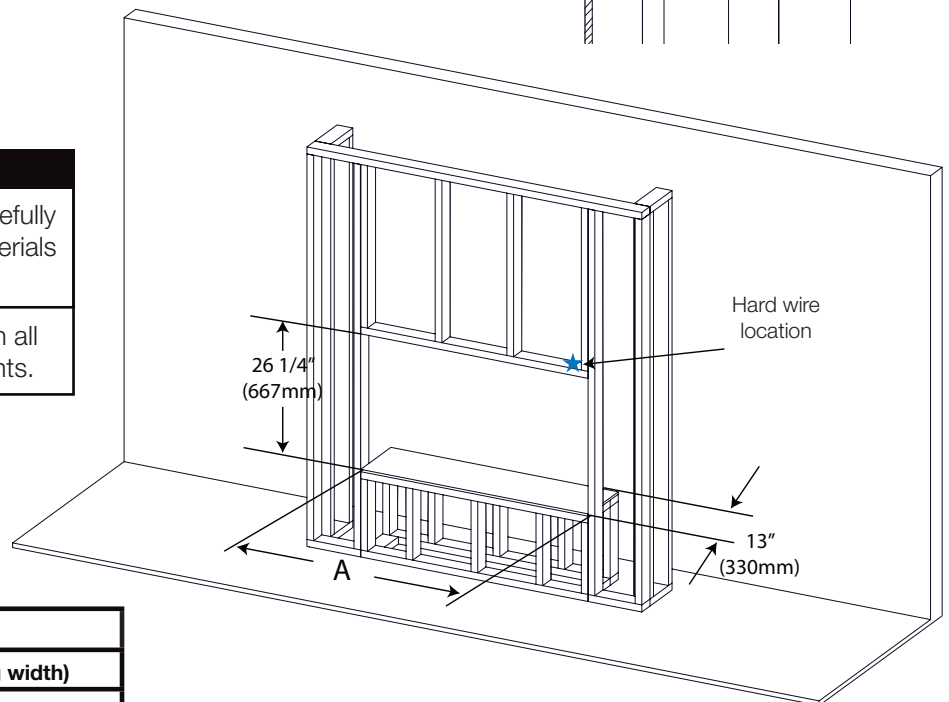
2.2 rough framing

- Non-load bearing wall framing
- Hard wire location

note:

Appliance is NOT load-bearing. Carefully consider the weight of finishing materials when constructing rough framing.

Ensure the installation complies with all local building codes and requirements.



Dimensions	
Model No.	A (framing opening width)
NEFB50AB	50 3/4"
	1289mm
NEFB62AB	62 3/4"
	1594mm
NEFB74AB	74 3/4"
	1898mm
NEFB96AB	96 3/4"
	2457mm

2.3 appliance preparation

The appliance will require brackets installed to the top and bottom of the fireplace to allow it to be installed into the framing.

1. Ensure front glass and trim are removed from appliance before installation preparation (see front glass removal).
2. Place the appliance face UP on a soft, non-abrasive surface.
3. Install the metal brackets in the locations shown using the screws supplied (**Fig. 1**).
4. Remove the junction box cover plate (**Fig. 2**).

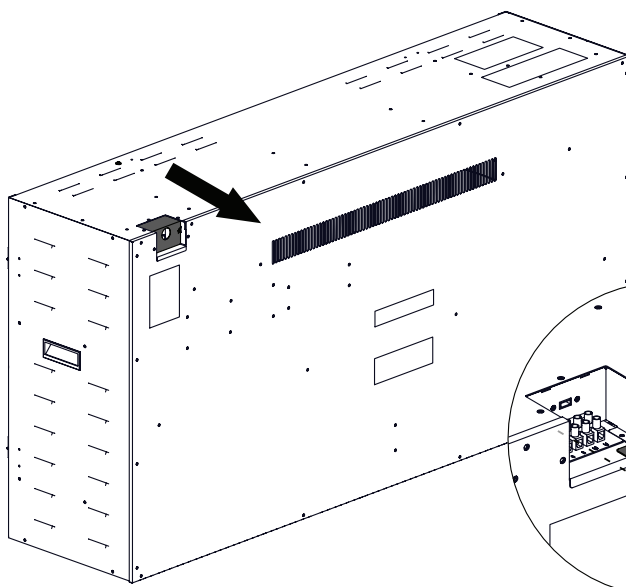


Fig. 2

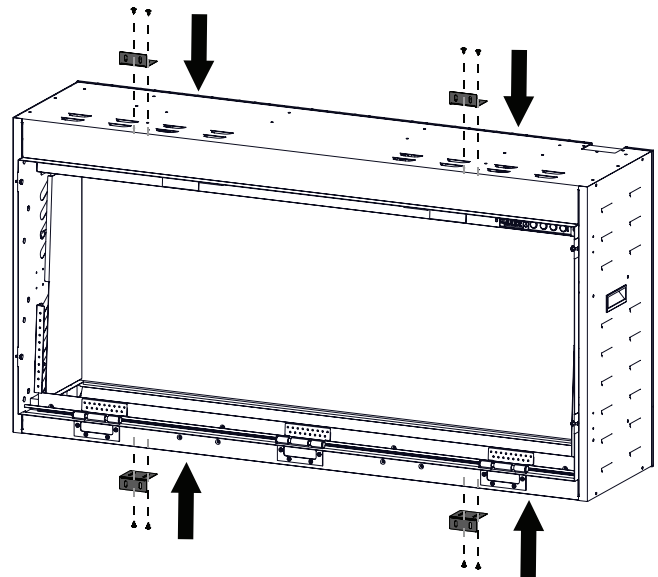


Fig. 1

5. With the brackets installed, have 2 people lift the appliance up and insert the appliance into the rough in framing.
6. Check the appliance for stability, ensuring that the appliance will not fall out of the enclosure.
7. Secure the appliance to the rough-in framing by installing 8 screws (supplied) through the metal brackets (**Fig. 3**).

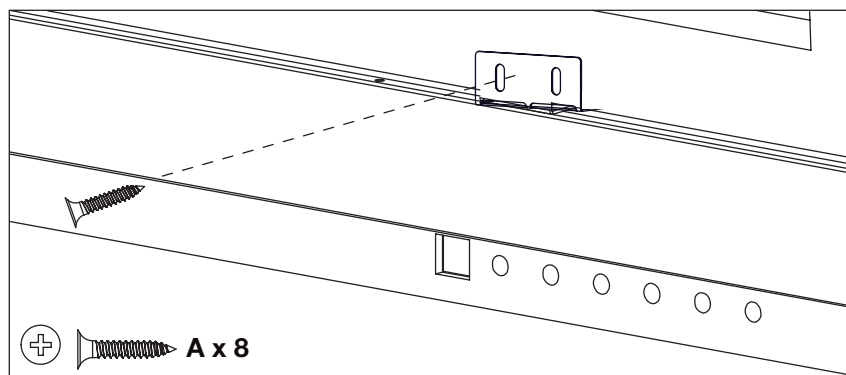


Fig. 3

Continue on to electrical information.

! WARNING

- Turn off the appliance completely and let cool before servicing. Only a qualified service person should service and repair this electric appliance.

It is necessary to hard-wire this appliance. A qualified electrician must wire the appliance directly to the household wiring. The wire and power supply breaker must be rated for 120V, minimum 15 amps.

This appliance must be electrically wired and grounded in accordance with local codes or, in the absence of local codes, with the latest edition of the National Electrical Code ANSI/NFPA 70 in the United States or the Canadian Electrical Code CSA C22.1 in Canada.

Before hardwiring the appliance, remove the junction box control cover by removing the fasteners as shown.

1. Locate the desired 2 conductor or 3 conductor wire cable to the top right side of the enclosure for the hard-wiring installation based on the desired 120V or 240V heat output capability (**Fig. 4**).
2. With appliance in the rough-in framing, insert it far enough into the enclosure to locate the supply wires to the terminal block.
3. Insert the wires from your home through the junction box cover plate with the strain relief (supplied) and locate the wires to the specified terminal block location based on desired voltage selection (**Fig. 5**).

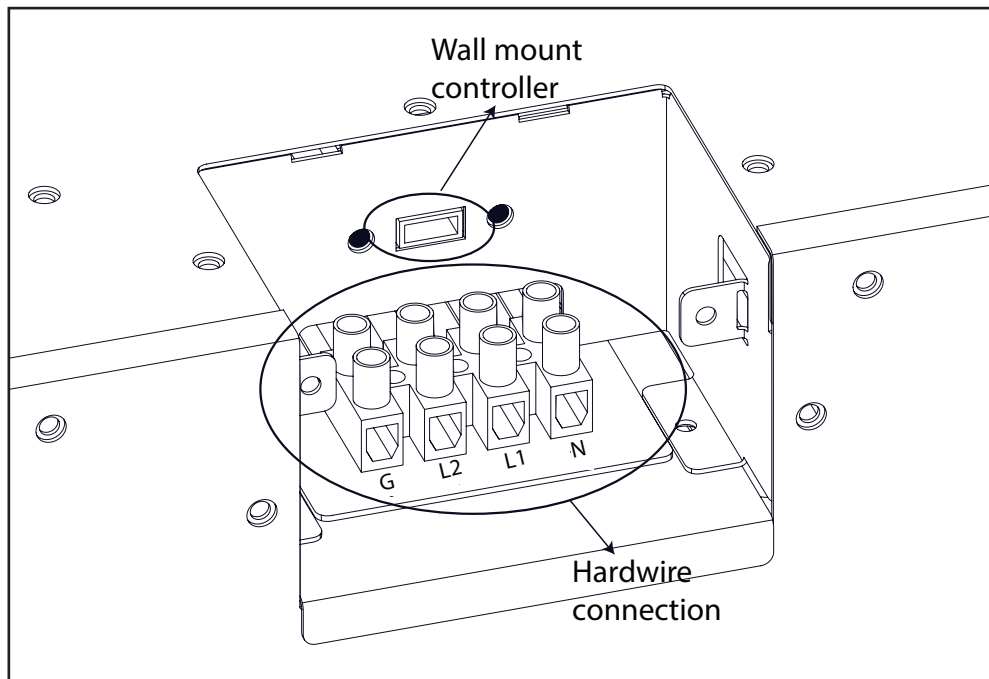


Fig. 4

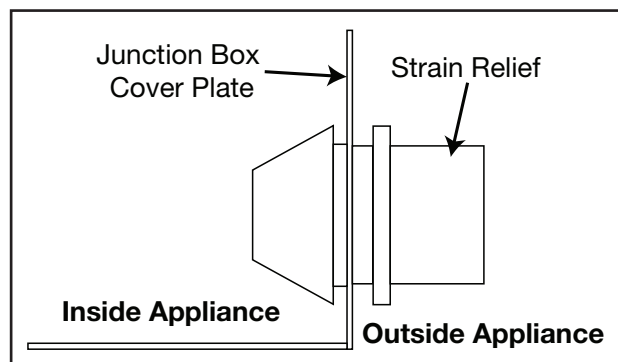
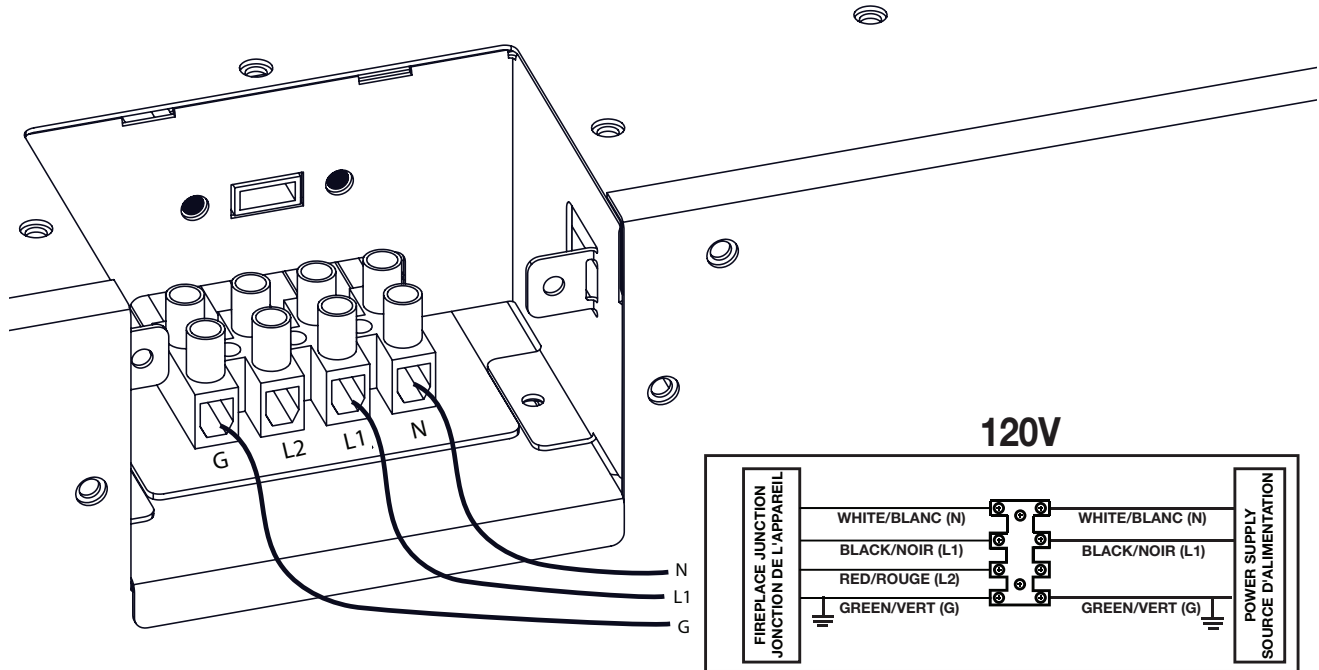


Fig. 5

3.2 120V hard wiring



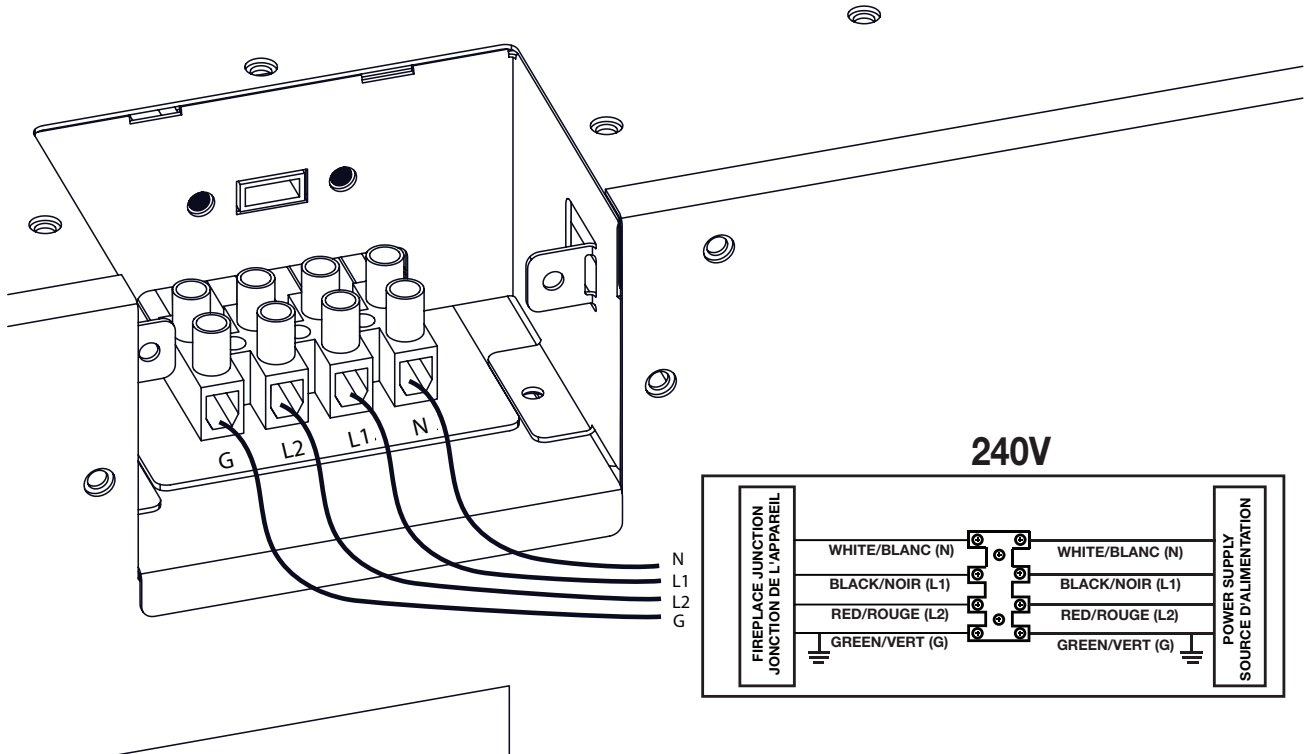
1. Insert Green or bare copper wire to the designated G Terminal. Tighten the screw.
2. Insert Neutral wire to the designated N Terminal. Tighten the screw.
3. Insert L1 wire to the designated L1 Terminal. Tighten the screw.

note:

If installing with the optional wall mount controller, plug in the wire harness connection to the 4 pin connector located above the hard wire terminal block.

4. Make sure all connections are tightened properly.
5. Reinstall the junction box cover plate.

3.3 240V hard wiring



1. Insert Green or bare copper wire to the designated G Terminal. Tighten the screw.
2. Insert Neutral wire to the designated N Terminal. Tighten the screw.
3. Insert L1 wire to the designated L1 Terminal. Tighten the screw.
4. Insert L2 wire to the designated L2 Terminal. Tighten the screw.

note:

If installing with the optional wall mount controller, plug in the wire harness connection to the 4 pin connector located above the hard wire terminal block.

5. Make sure all connections are tightened properly.
6. Reinstall the junction box cover plate.

3.4 wall mount controller installation

The wall mount controller is designed with a recessed securing bracket to allow it to secure directly to the finishing material. It is not required to be fixed to a stud.

Route the wire harness for the wall mount controller from the fireplace junction box to the desired location for the wall mount controller. Some finishing material may need to be fixed to the enclosure to allow the wall mount controller to be secured. See finishing material installation.

4.0 finishing material

⚠ WARNING

- Risk of fire!
- Never obstruct the front opening of the appliance.
- Do not strike, slam, or scratch. Do not operate appliance with glass removed or cracked.
- Facing and/or finishing material must never overhang into the appliance opening.
- **Do not finish past the finishing edge trim.** Installing finishing materials past the finishing edge trim will result in not being able to install and/or open and close the front glass panel.
- Drywall dust may penetrate into the blower bearings, causing irreparable damage. Care must be taken to prevent drywall dust from coming into contact with the blower or its compartment. Any damage resulting from this condition is not covered by the warranty policy.

4.1 finishing materials

1. Both combustible and non-combustible finishing materials can be used for this product installation.
2. Finishing material will be covering the front of the appliance and will butt against the finishing material edge flange (Fig 6).

4.1.1 screw-safe areas

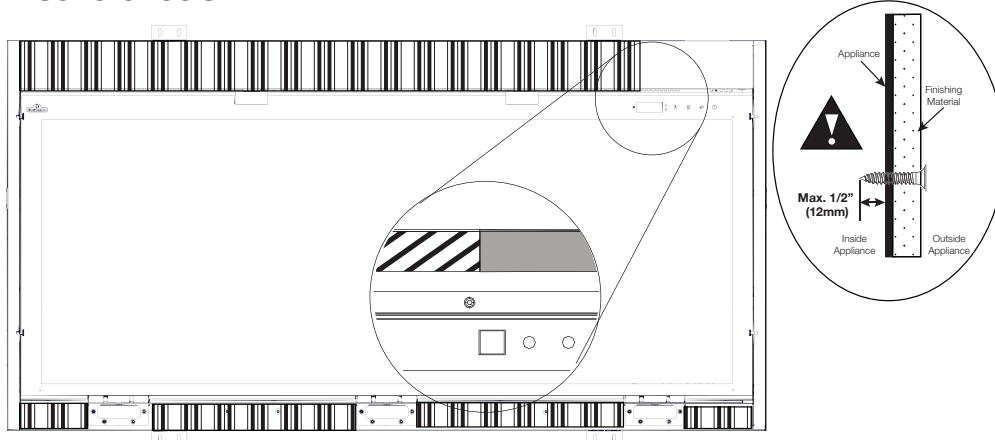
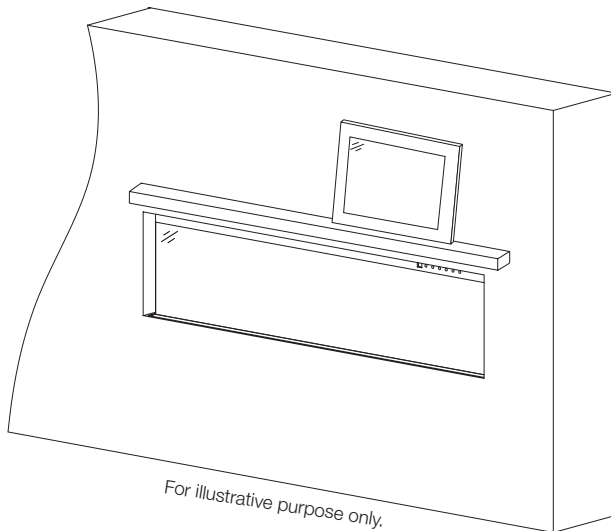


Fig. 6

4.2 installing combustible and non-combustible materials



Single-Sided Viewing Installation

- Appliance is fully recessed into the wall
- Front view **only**
- Left and right side views are covered

! WARNING

- Power supply service must be completed prior to finishing to avoid reconstruction.
- Heat vents and air openings cannot be covered in any circumstances.

4.3 media installation

The front glass must be removed and the appliance must be secured in its final location before the crystal embers are installed (see “front glass installation and removal” section).

Beach Fire Logs and Woodland Media Kit

1. Start by laying out the 2 types of glass along the media bed. Mix the 2 colours together to create a realistic burning appearance once fireplace is turned on.
2. Place the logs into desired position. Reference pictures are shown in **Fig. 7** as recommended location. This can be changed based on desired layout.
3. Place the mineral rocks and charcoal pieces around the logs using the recommended layout or preferred arrangement.

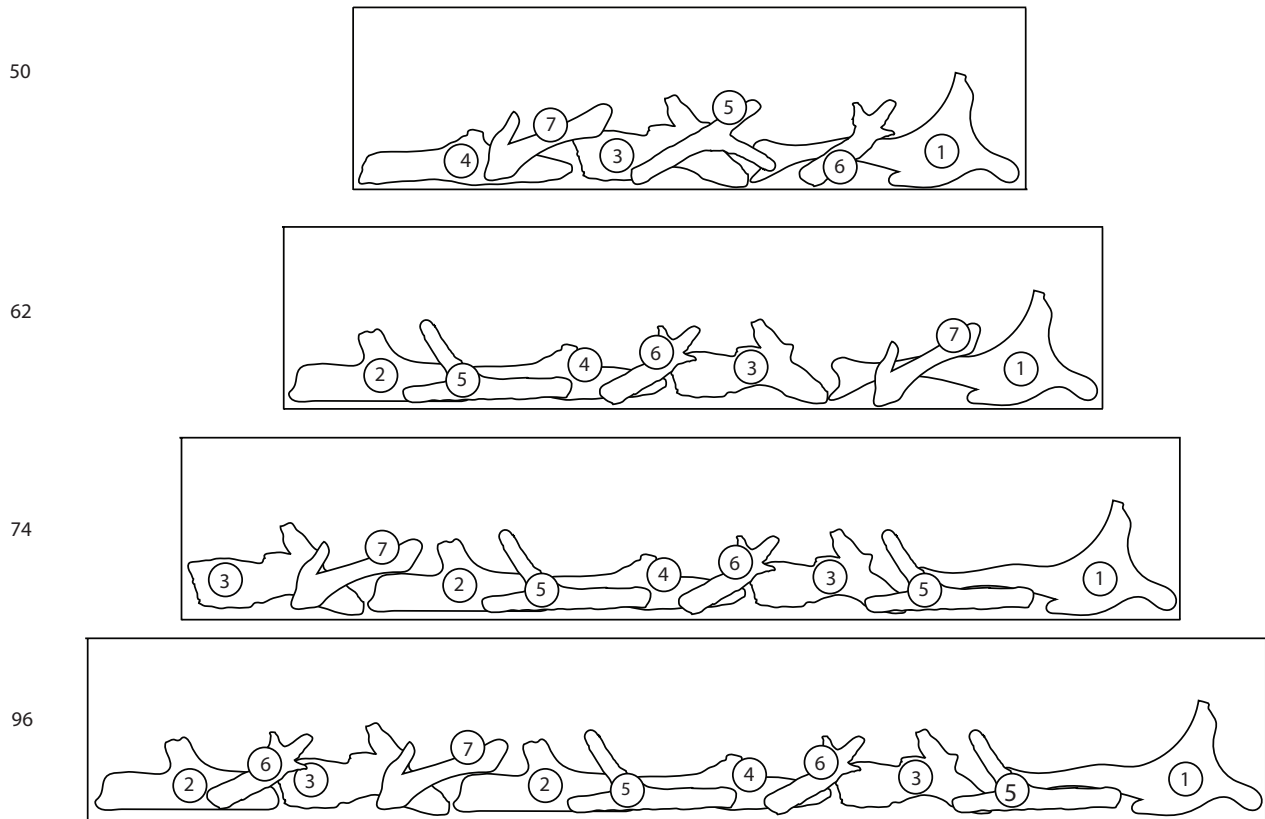
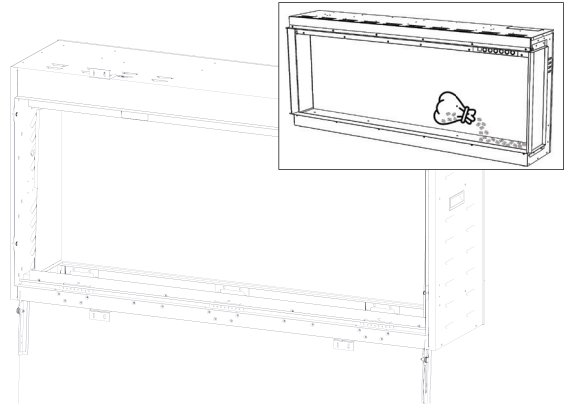


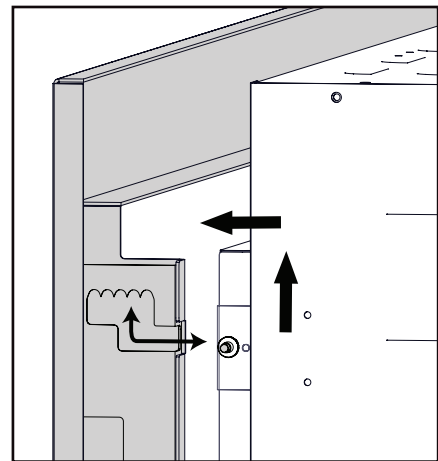
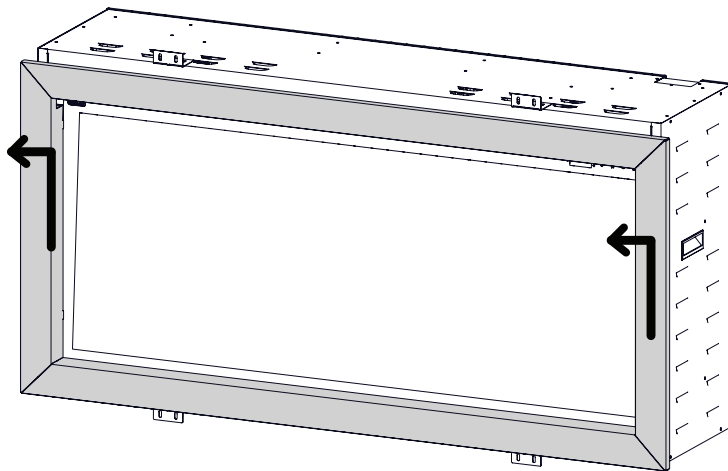
Fig. 7

4.4 front glass installation and removal

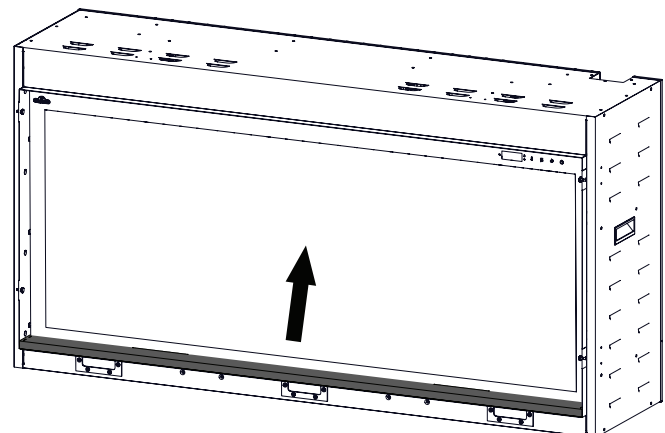
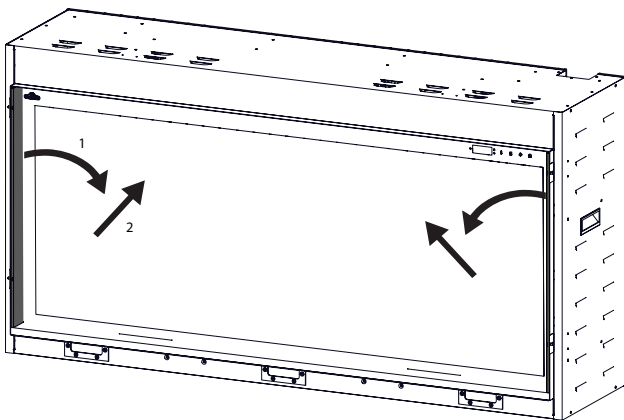
1. Remove the front trim (if installed) by lifting it up and away from the appliance to pull the trim off of the mounting post. Next remove the mounting posts by unscrewing from side panels. Next remove the bottom cover panel. The posts can be relocated to accompany many different finishing material thicknesses.

! WARNING

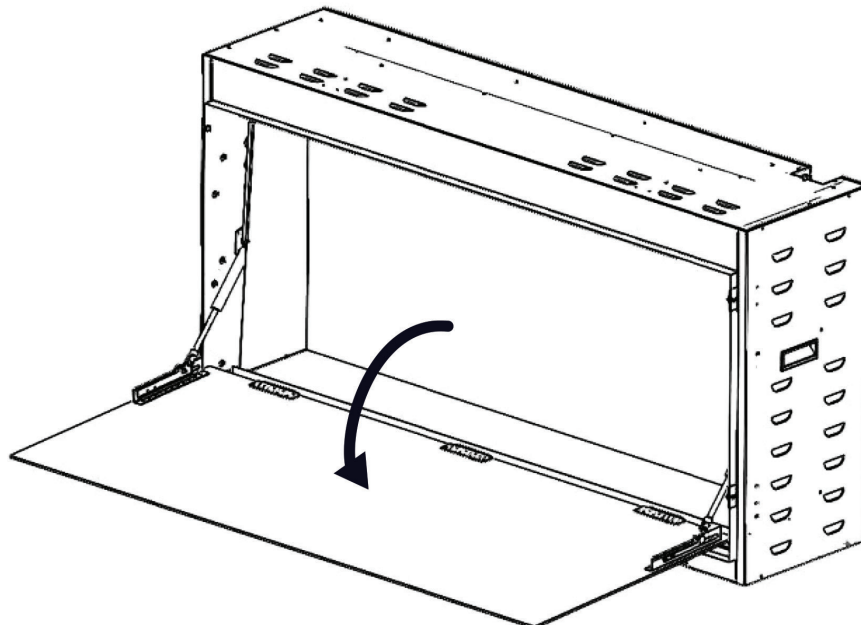
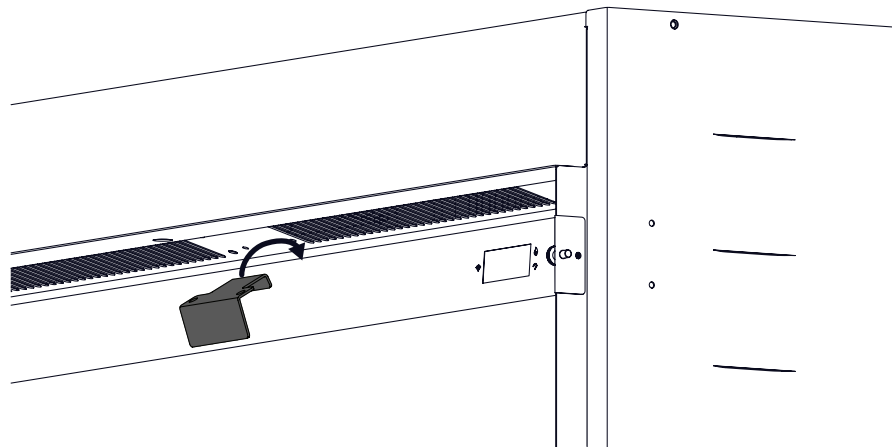
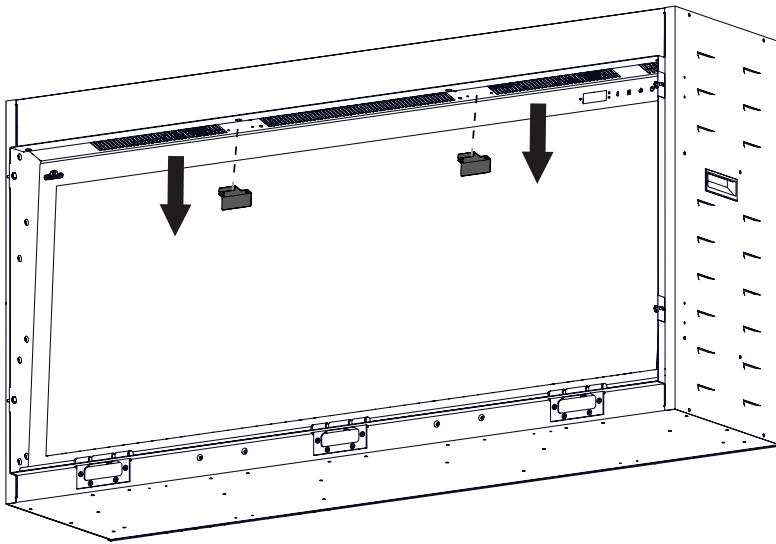
- Before the front glass is installed or removed, unplug the appliance and wait until appliance is cool to the touch. Glass can be heavy and fragile, so handle with care.



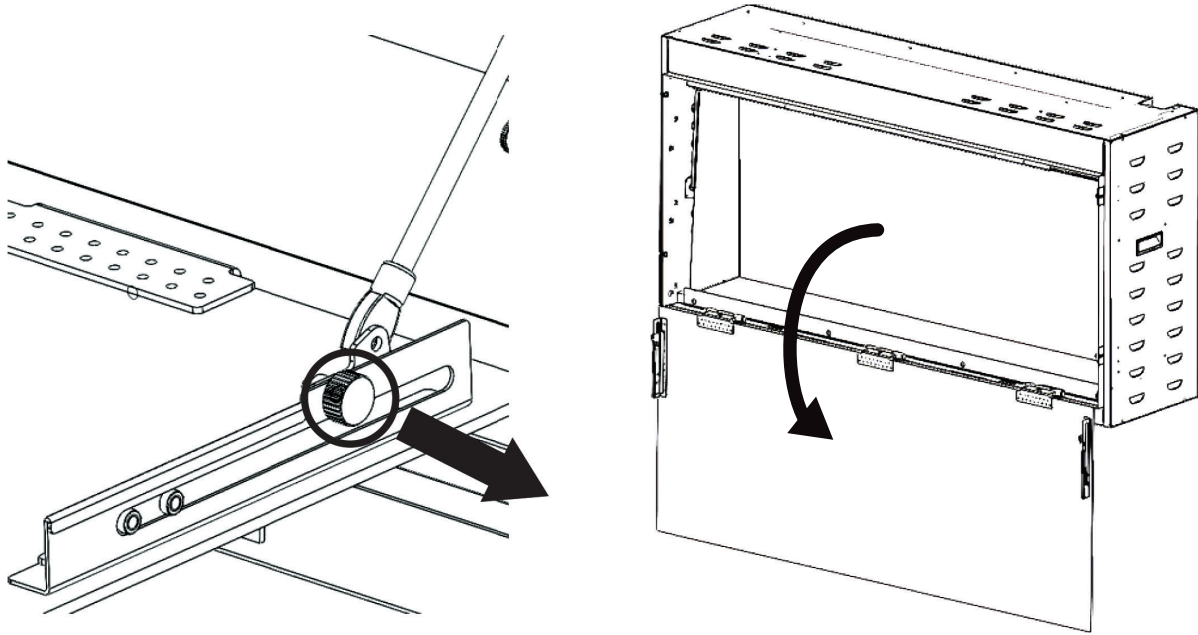
2. Remove the 2 side panels (if installed) by pulling the panels away from the sides of the appliance near the top of the panel to release the magnetic hold. Then pull the panels out of the slots located on the bottom cover panel. Next, remove the bottom cover panel.



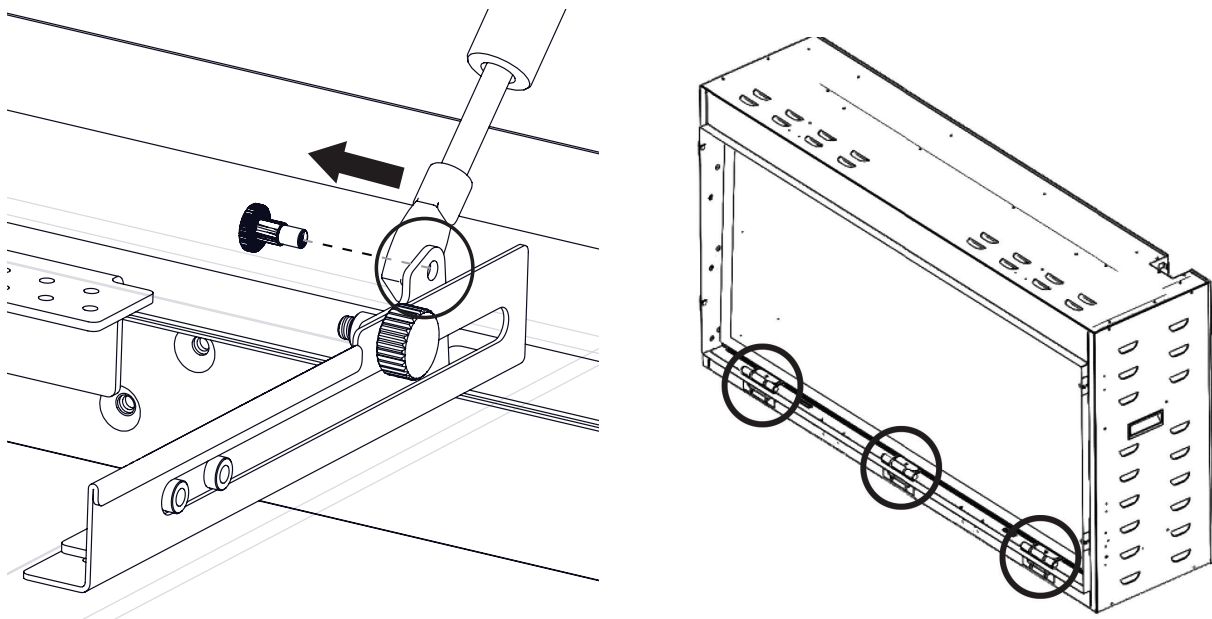
3. Remove the securing brackets at the top of the glass. Pull the glass outward using the provided suction cup. Alternatively, flip the securing brackets around to hook the top of the glass and pull outward.



4. To fully open glass and fold down for easy service, remove the thumb screws on either side of the glass to allow the slides to engage. Note: The cylinders are no longer supporting the glass when the screws are removed. Brace the glass when performing this action and slowly allow the glass to swing down and come to rest.



5. To remove the front glass, remove the screw holding the cylinder rod to the glass mount hardware. Note: The cylinders are no longer supporting the glass when screws are removed. Brace the glass while performing this action. Once the screws are removed, lift and close the glass in an upright position. Remove the screws holding the hinge to the glass bracket hardware. Once removed, the glass can be lifted from the firebox and placed on a soft, non-abrasive surface.

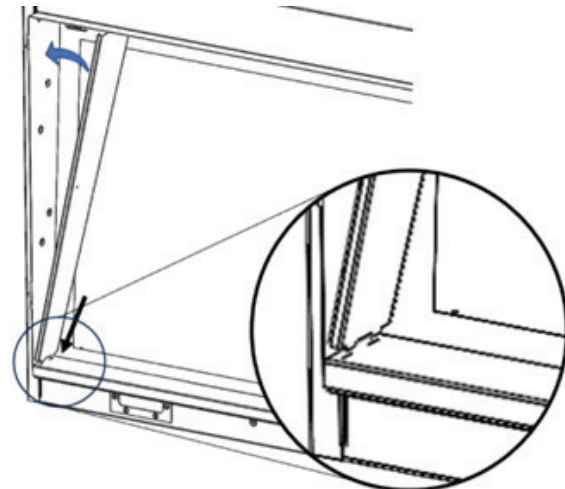
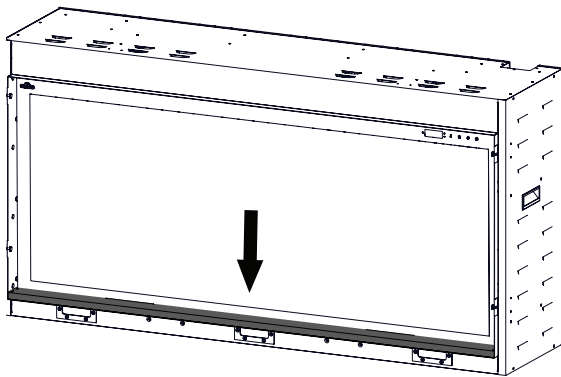


4.5 trim installation

There are 2 options for the trim installation depending on the Finishing material and personal preference for the finished look. A trim less installation allows for the finished material to butt against the finishing edge of the fireplace to create a minimalist exposed surface of the fireplace. Or the 2" trim can be installed to hide the rough-cut edge of the finishing material and allow for a bigger finished look. Trims are installed after the glass has been secured in an upright position.

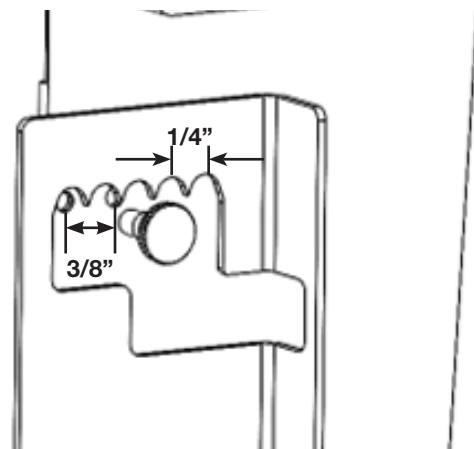
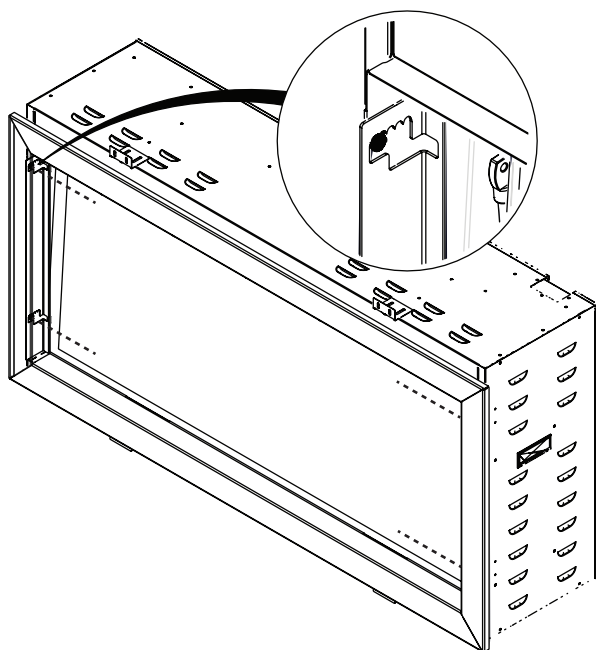
Trim-less Installation

1. For a trim-less installation place the bottom cover over the glass hinge location which will be held in place by magnets.
2. Identify the left and right side panels and align with the corresponding sides of the fireplace. The side panels have tabs at the bottom which will fit into slots of the bottom panel. Once the tabs are inserted push the panel against the side of the firebox from which it will be then held in place by magnets.



2" Trim Installation

1. For the 2" trim installation place the bottom cover over the glass hinge location which will be held in place by magnets.
2. Install the 4 trim screws.
3. Hang the trim on the pins.



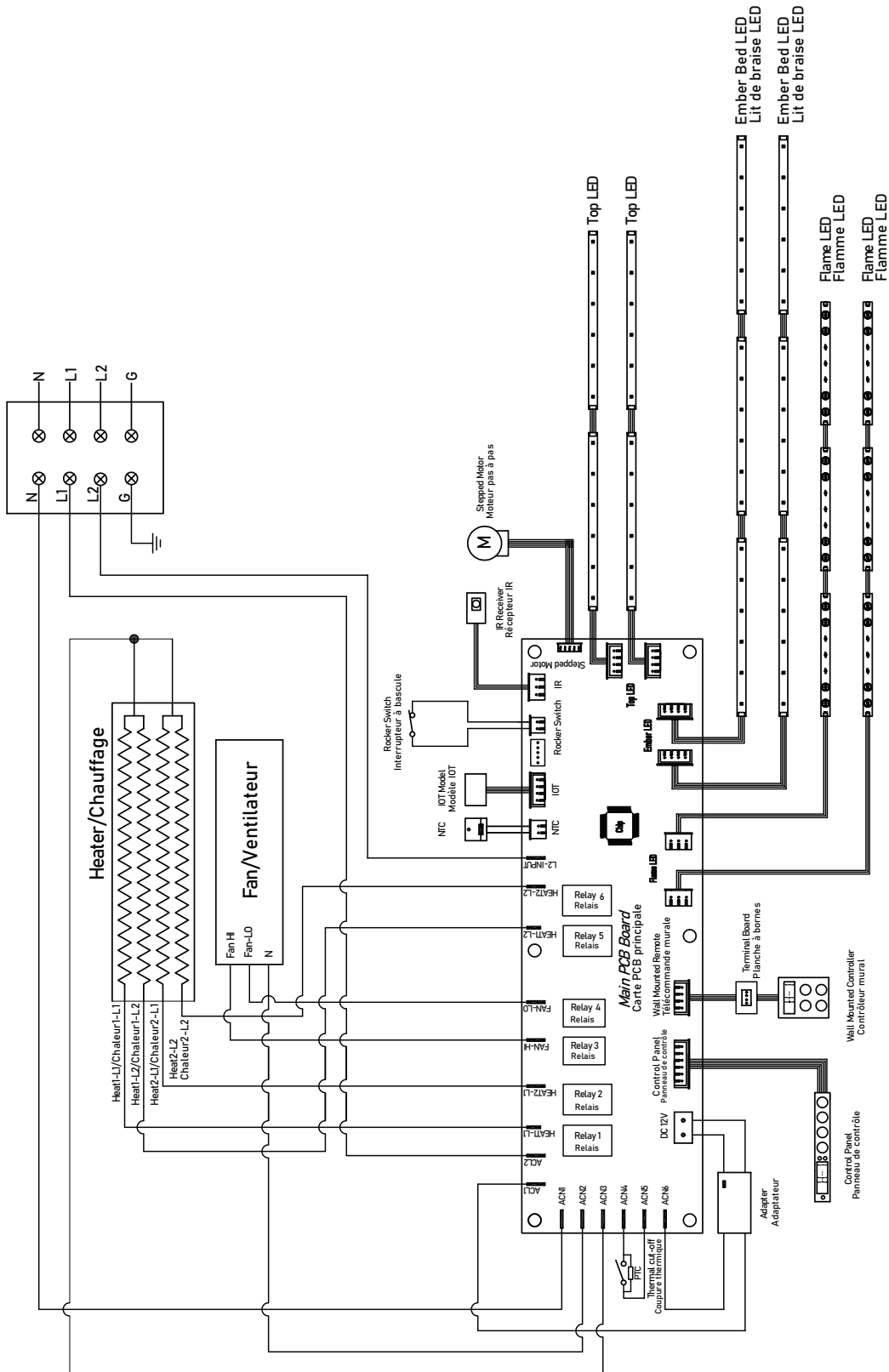
note:

There are 2 holes on the side panels for the adjustable Trim Pins spaced at 3/8" apart and there are notches on the trim that are spaced 1/4" apart. This is to accommodate a varying material thickness of 1/8" increments. Inside holes allow for material thickness of 1/8" 1-1/8" and the outside holes allow for a finishing material thickness of 1/2" to 1-1/2".

5.0 wiring diagram

! WARNING

- Turn off the appliance completely and let cool before servicing. Only a qualified service person should service and repair this electric appliance.



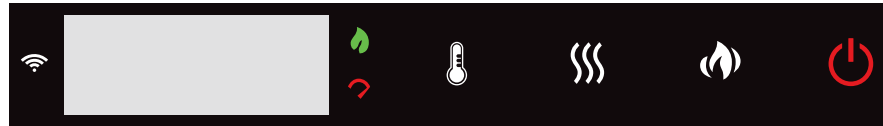
Once the appliance has been electrically connected to a grounded circuit and the breaker is on, it is ready to operate.








attention:

Ensure the house circuit breakers for the power supply are turned on. In the event of a power failure, the appliance will lose its memory function and will reset to factory mode when the power returns.

6.1 operating control panel

The control panel is located on the top right-hand corner of the appliance.



Power		Turn the appliance on/off.
Temperature		Control the temperature of the appliance with 11 settings. Settings: 18°C [64°F], 19°C [66°F], 20°C [68°F], 21°C [70°F], 22°C [72°F], 23°C [74°F], 24°C [76°F], 25°C [78°F], 26°C [80°F], 27°C [82°F] and OFF. Note: Press and hold the button for 3s to switch between °C and °F
Heater		Turns the heater and blower on/off. Settings: H-0: Heater and blower off FAN: Heater is off and blower is on H-1: Heater and blower on Note: Heater control function can be enabled/disabled by holding the button for 3s. When the heater function is disabled, "LOC" will be displayed.
Flame		Turn the flame effect on/off. Settings: F-1: Both orange and yellow flame on, 100% brightness F-0: Both orange and yellow flame off Note: Press and hold the button 8s for wifi setup.
ECO Mode Indicator		Indicates the appliance is working under ECO mode.
Boost Mode Indicator		Indicate the appliance is working under Boost mode.
Wifi Indicator		Indicates the appliance is connected to the wireless network.

operation

6.2 operating remote control



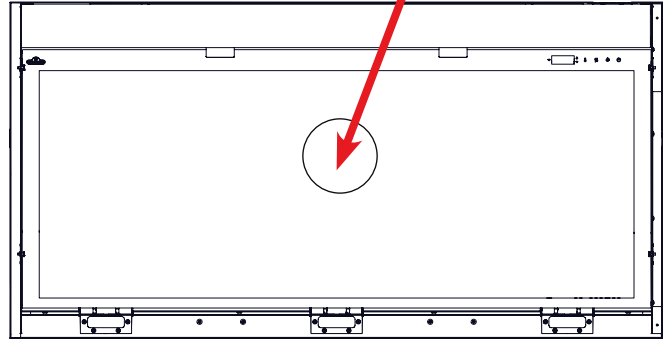
Features:

















Power / standby
 Heater setting: H-0, FAN, H-1
 ECO mode
 Boost mode
 Temperature setting
 Flame color setting: orange / yellow
 Flame speed setting
 Ember bed color setting
 Ember bed brightness setting
 Top light setting







Special features:



7/24 timer programming
 open window alert

Infrared Remote - Point remote here.

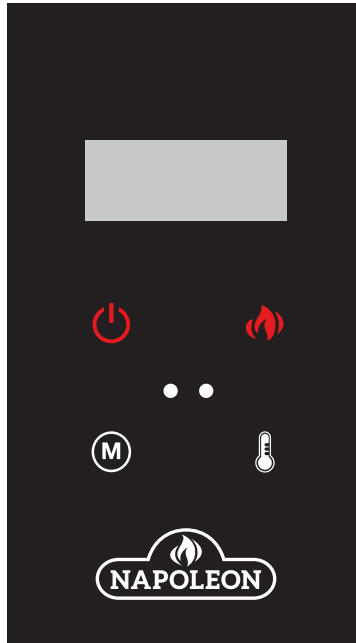






Power/Standby		Turn the appliance on/off.
Heater		<p>Turns the heater and blower on/off.</p> <p>Settings: H-0: Heater and blower off FAN: Heater is off and blower is on H-1: Heater and blower on</p> <p>Note: Heater control function can be enabled/disabled by holding the button for 3s. When the heater function is disabled, "LOC" will be displayed.</p>
7/24 Timer		<p>Press the  button to set the current day and time.</p> <p>When "MON" starts flashing, use  to select current day. Press OK to complete setting.</p> <p>When the hour digits start flashing, use  to select the current hour. Press OK to complete the setting.</p> <p>When the minute digits start flashing, use  to select the current minute. Press OK to complete the setting.</p> <p>Hold the  button to set the weekly schedule.</p> <p>Press and hold the  for 3s.  ON logo will appear on screen. When "MON" starts to flash, use  to select the desired day. Press OK to complete setting.</p> <p>When "--:--" starts flashing, use  to select the time. Press OK to confirm. Every time when the  is pressed, 30 minutes will be added or reduced. Press  any time to clear digits. Leave hour and minute in "--:--" to not set up the schedule.</p> <p>When "18C" starts flashing, use  to select desired temperature to on heater (thermostat function on). Press OK to complete the setting. After finishing step 4,  OFF logo will appear on screen. Repeat steps 2 and 3 to set the day and time for off schedule. Repeat steps 1 to 5 to set the time ON/OFF schedule every day.</p>

<p>ECO</p>		<p>Hold the button for 3s to turn on/off heater with half heat output (ECO mode).</p> <p>Note: When running in ECO mode, ECO indicator will light up on the control panel.</p>			
<p>Boost</p>		<p>Hold the button for 3s to turn on/off Boost mode for 30 mins.</p> <p>Note: When running in Boost mode, BST indicator will light up on the control panel.</p>			
<p>Thermostat Control</p>		<p>Control the temperature of the appliance. Use \updownarrow to change settings.</p> <p>Settings: 18°C [64°F], 19°C [66°F], 20°C [68°F], 21°C [70°F], 22°C [72°F], 23°C [74°F], 24°C [76°F], 25°C [78°F], 26°C [80°F], 27°C [82°F] and OFF.</p> <p>Note: Press and hold the button for 3s to switch between °C and °F.</p>			
<p>Flame</p>		<p>Turn the flame effect on/off.</p> <p>Press the button, flame 1 icon on the LCD display will start to flash. Use the \updownarrow to change brightness.</p> <p>Press the button again, flame 2 icon on the LCD display will start to flash. Use the \updownarrow to change brightness.</p> <p>Press the button for a third time, both flame 1 and flame 2 icons on the LCD display will start to flash.</p> <table border="1" data-bbox="565 926 1433 1108"> <tr> <td data-bbox="565 926 850 1108"> <p>Icon 1: Orange flame. OF4 (100%) OF3 (75%) OF2 (50%) OF1 (25%) OF0 (0%)</p> </td> <td data-bbox="854 926 1140 1108"> <p>Icon 2: Yellow flame. YF4 (100%) YF3 (75%) YF2 (50%) YF1 (25%) YF0 (0%)</p> </td> <td data-bbox="1143 926 1433 1108"> <p>Icon 1 + 2: Both flames. F-1 Both flame on (100%) F-0 Both flame off. (0%)</p> </td> </tr> </table>	<p>Icon 1: Orange flame. OF4 (100%) OF3 (75%) OF2 (50%) OF1 (25%) OF0 (0%)</p>	<p>Icon 2: Yellow flame. YF4 (100%) YF3 (75%) YF2 (50%) YF1 (25%) YF0 (0%)</p>	<p>Icon 1 + 2: Both flames. F-1 Both flame on (100%) F-0 Both flame off. (0%)</p>
<p>Icon 1: Orange flame. OF4 (100%) OF3 (75%) OF2 (50%) OF1 (25%) OF0 (0%)</p>	<p>Icon 2: Yellow flame. YF4 (100%) YF3 (75%) YF2 (50%) YF1 (25%) YF0 (0%)</p>	<p>Icon 1 + 2: Both flames. F-1 Both flame on (100%) F-0 Both flame off. (0%)</p>			
<p>Flame Speed</p>		<p>Control the flame speed.</p> <p>Press the button, flame speed icon will start to flash on LCD display. Use \updownarrow to change settings.</p> <p>Settings: S-3 (12 RPM) S-2 (10.5 RPM) S-1 (9 RPM) S-5 (15 RPM) S-4 (13.5 RPM) S-3 (12 RPM)</p>			
<p>Ember Bed Color</p>		<p>Control the ember bed color.</p> <p>Press the button, ember bed color icon will start to flash on the LCD display. Use \updownarrow to change settings.</p> <p>Settings: L01 L02 ... L13 L-C (Cycle) L01</p>			

Ember Bed Brightness		<p>Control ember bed brightness. Press the button, ember bed bright ness icon will start to flash on the LCD display. Use \uparrow to change settings.</p> <p>Settings: B-4 (100%) B-3 (60%) B-2 (40%) B-1 (10%) B-0 B-F (Fade in and fade out) B-4</p>
Top Light		<p>Control the top light.</p> <p>Press the button, top LED icon will start to flash on the LCD display. Use \uparrow to change settings.</p> <p>Settings: D01 D02 ... D13 D-C (Cycle) D00 D01</p>

6.3 operating wall-mount control



<p>Power</p>		<p>Turn the appliance on/off.</p>
<p>Flame On/Off</p>		<p>Turns the flame on/off.</p> <p>Settings: F-1: Flame on at 100% brightness for both orange and yellow flame (default setting) F-0: Flame off</p>
<p>Mode Selection</p>		<p>Switches between running modes. Default setting: H-0</p> <p>Settings: H-0: Heater and blower off FAN: Heater is off and blower is on H-1: Heater and blower on ECO: Heater running in economic mode BST: Heater in enhance mode, blower running at high speed</p> <p>Note: Heater control function can be enabled/disabled by holding the button for 3s. When the heater function is disabled, "LOC" will be displayed.</p>
<p>Thermostat Control</p>		<p>Press this button to activate the thermostat. Continue pressing the same button to increase the temperature setting. Each press will increment the temperature by 1°C (2°F), starting from the default setting of 18°C (64°F).</p> <p>To turn off temperature mode: Repeatedly press the button until no temperature value is displayed, indicating "OFF." The temperature setting will reset to the default value of 18°C (64°F). Default setting: 18°C</p> <p>Settings: 18°C [64°F], 19°C [66°F], 20°C [68°F], 21°C [70°F], 22°C [72°F], 23°C [74°F], 24°C [76°F], 25°C [78°F], 26°C [80°F], 27°C [82°F] and OFF.</p> <p>Note: Press and hold the button for 5s to switch between °C and °F.</p>

napoleon connectivity

7.0 napoleon connectivity

NAPOLEON HOME APP



HOW DOES IT WORK?

Access your appliance remotely by downloading the **Napoleon Home App** from your app store.

In order to access the app, you will be required to create an account by following the instructions listed within the app (see below for details).

By pairing your appliance to the **Napoleon Home App** via WiFi, you gain control to all modes and functions of the appliance.

All notifications and alarms are sent through the app to keep you connected with ease.



Scan this QR code for direct access to the **Napoleon Home App** website.

LET'S GET STARTED

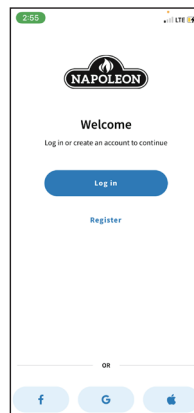
1 DOWNLOAD



Download the **Napoleon Home App** from your app store (Google Play or Apple App Store).

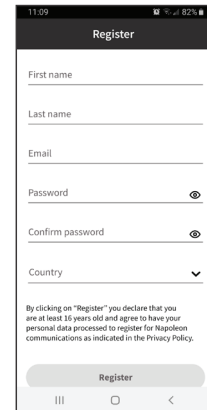
Note: This requires Android 7.0 or iOS 13.0.

2 REGISTER



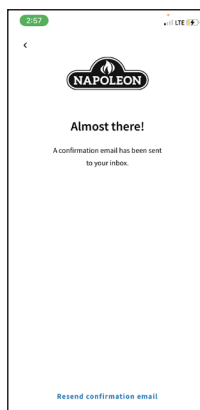
Register an account with the **Napoleon Home App** OR sign-in using your Facebook, Google, or Apple account information.

3 CREATE



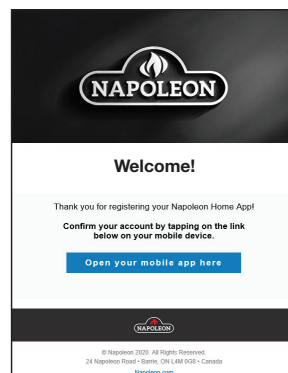
Enter user information and create a password for the account. Select the country in which the appliance is located.

4 ALMOST THERE



The information entered in Step 3 will be registered to the **Napoleon Home App** and a confirmation will be sent to the email provided.

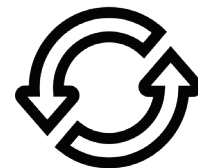
5 CONFIRM



Open email inbox and select the confirmation link.

Note: The confirmation link must be opened on the device that the **Napoleon Home App** is installed on.

6 RE-CONFIRM



If no email is found, click "Re-Send Confirmation Link" and check junk folder.

7.1 connecting to app

1. Ensure the appliance is plugged in and turned on (**Fig. 1**).
2. Press and hold the FLAME Light Control button on the appliance control panel for 10 seconds (**Fig. 2**).

note:
The appliance will flash the green ember bed colour.



Fig. 1

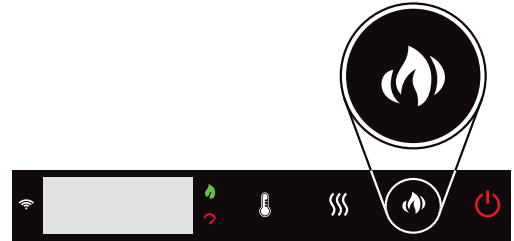


Fig. 2

3. Select "Add Device" and accept permissions (**Fig. 3 & 4**).

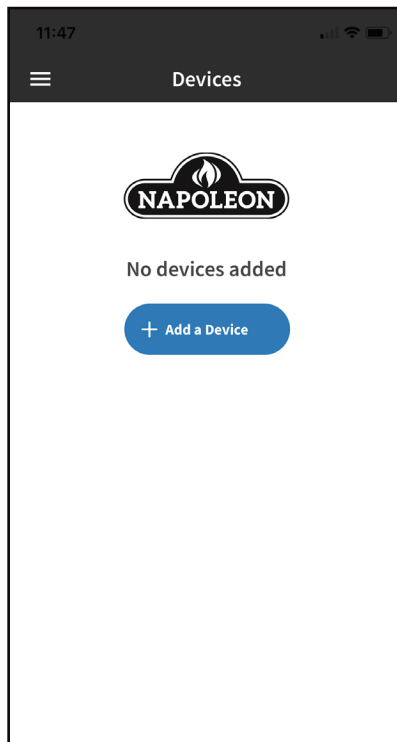


Fig. 3

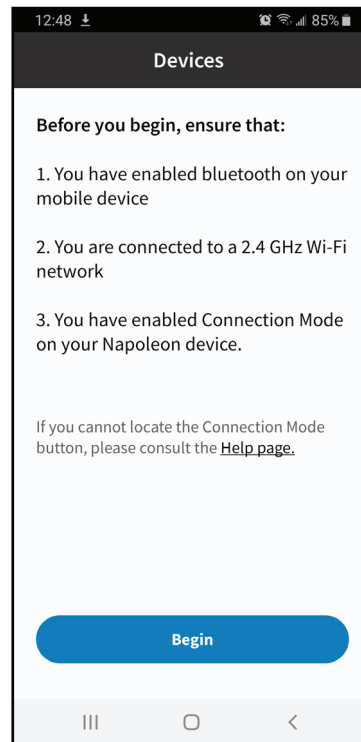


Fig. 4

4. Search for devices and select the device from the list (Fig. 5 & 6).



Fig. 5

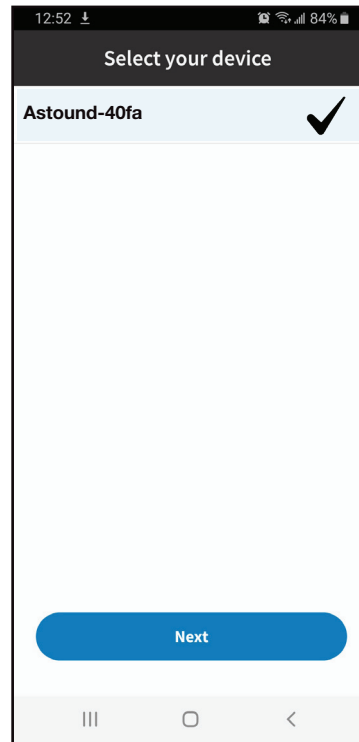


Fig. 6

5. Select desired wifi and connect by entering the wifi password of your home (Fig. 7 & 8).

6. Once the appliance has been connected to the access point, it can be given a nickname in order to be more recognizable (Fig. 9).

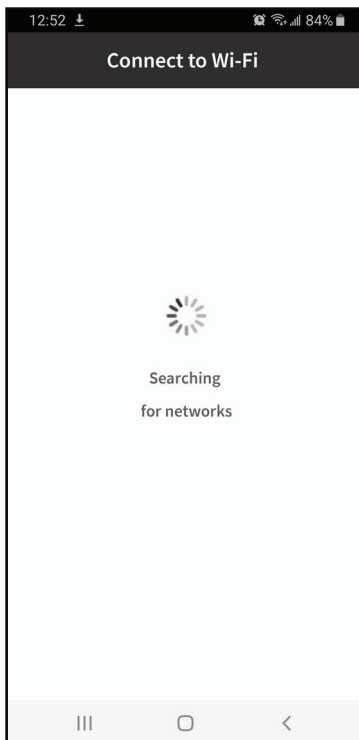


Fig. 7



Fig. 8

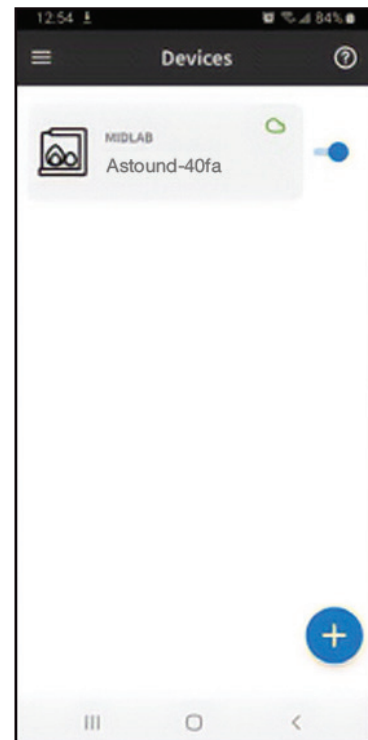
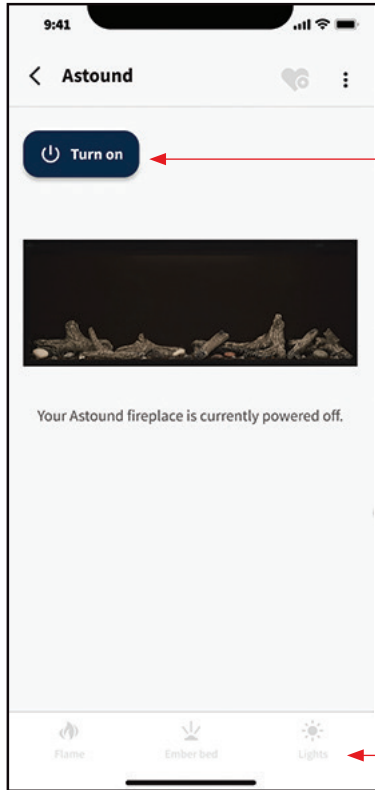


Fig. 9

7.2 using the app

7.2.1 power setting

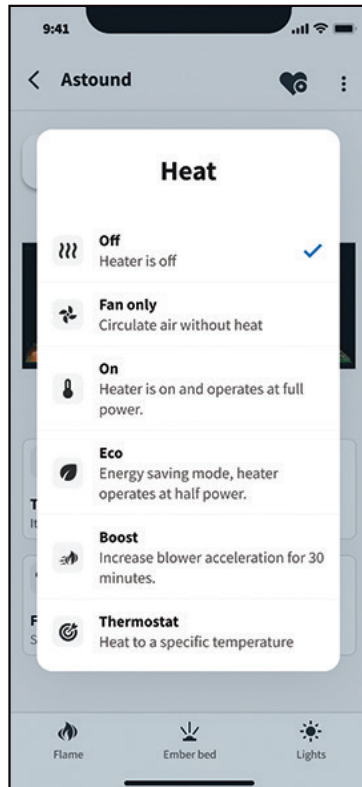
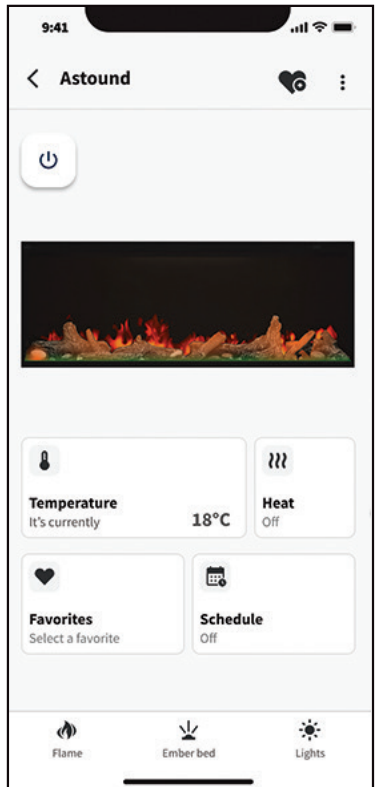


Power Setting:

Press to turn the appliance On and Off.

The brightness settings are not accessible on this home page when the appliance is turned off. When the appliance is turned on, navigate to the bottom tabs to change fireplace display settings.

7.2.2 heat setting

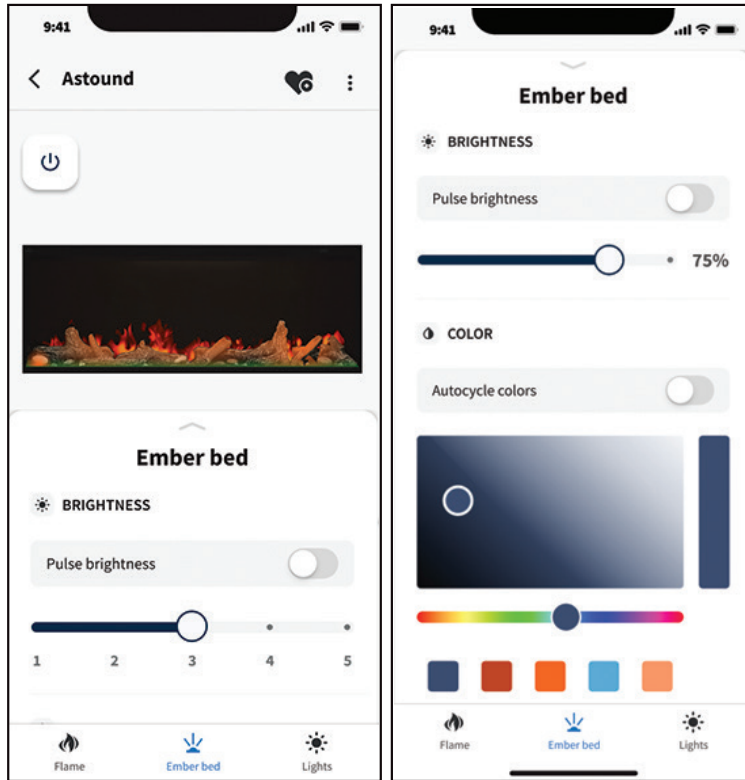


Heat Setting:

The heat setting can be selected through the heat tab on the appliance home page. The current ambient temperature is displayed on the temperature tab and updated to reflect the target temperature when thermostat mode is selected.

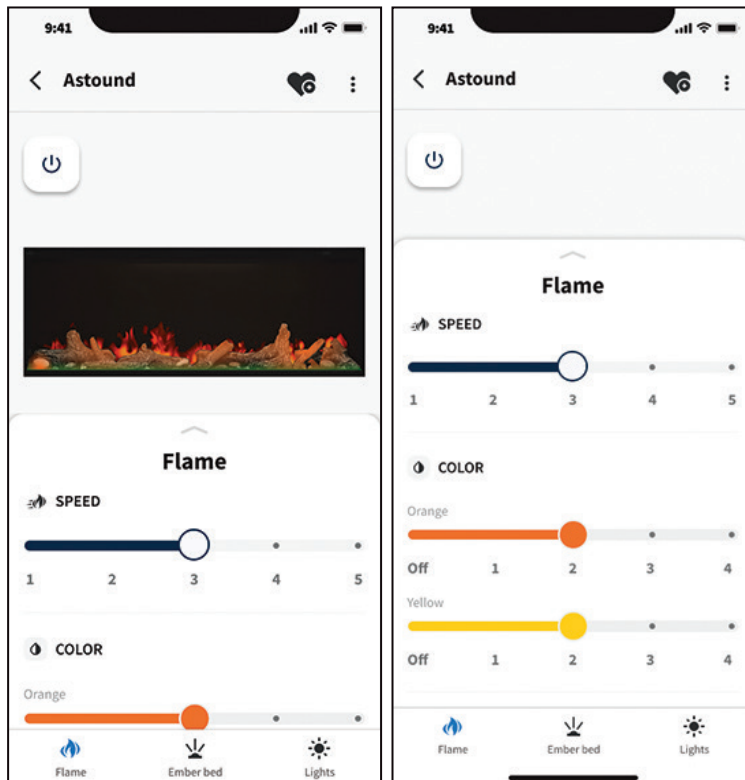
Off	No heat.
Fan Only	Turns on only the fan to circulate air without heat.
On	Heater is on and operates at full power.
ECO	Energy saving mode, heater operates at half power.
Boost	Increase blower acceleration for 30 minutes with Heater operates at full power.
Thermostat	Automatically turns the heater ON and OFF to regulate the room temperature to the desired set temperature.

7.2.3 ember bed setting

**Ember Bed Setting:**

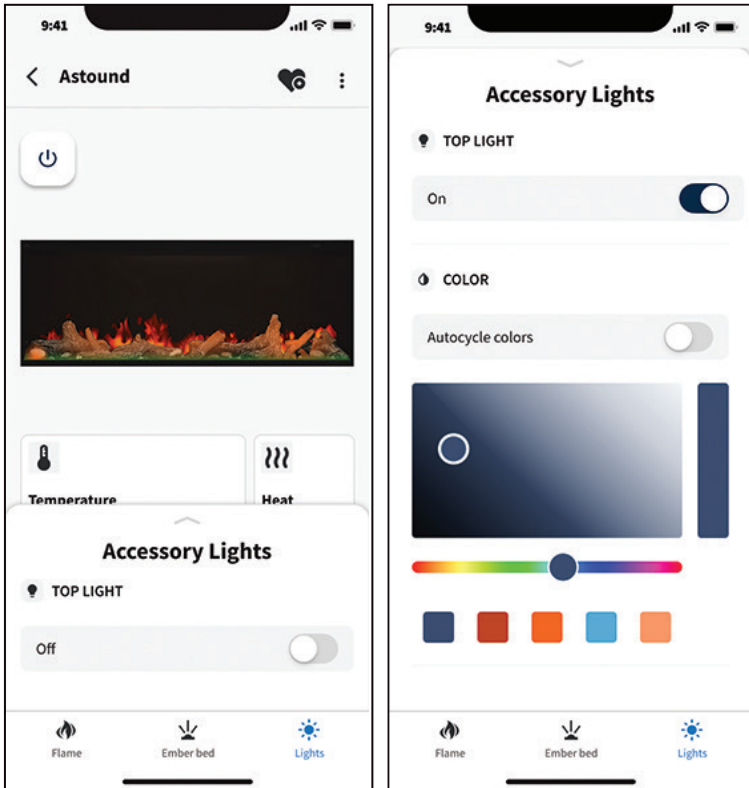
Select the preferred ember bed colours and brightness settings from the list in the ember bed tab or toggle the autcycle or pulse brightness function on to cycle through all available colours.

7.2.4 flame setting

**Flame Setting:**

Control the display of the different flame colours by adjusting the slider for each flame colour. The flame speed can also be adjusted on this page.

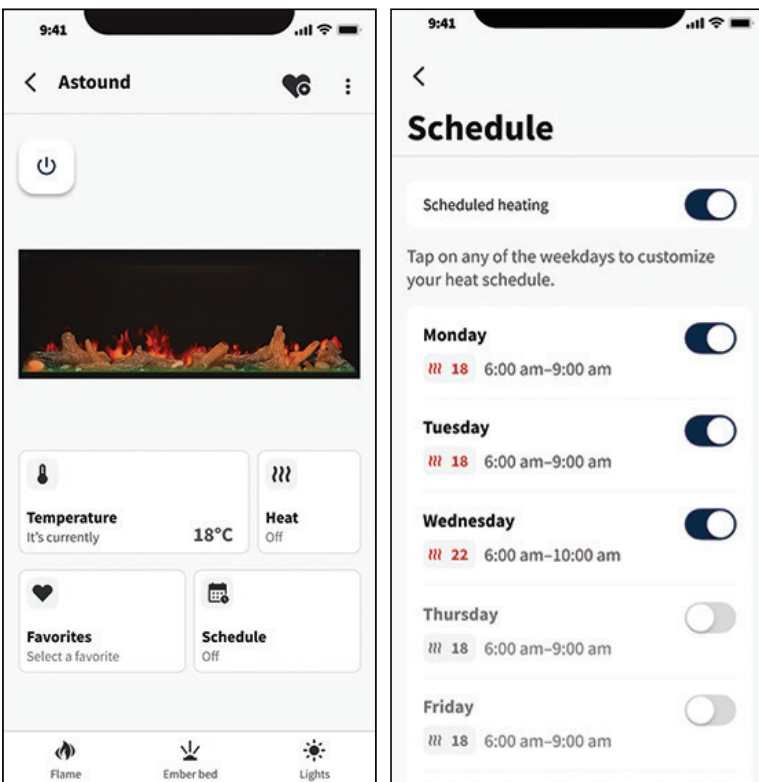
7.2.5 accessory lights settings



Accessory Lights Setting:

The weather display brightness can be controlled in the app either on the home page when the appliance is turned off or the lights bottom tab. The side light is also controlled from the lights tab. Bulb warmth selection and brightness can be modified in this section.

7.2.6 timer settings



Timer Settings:

The timer feature can be accessed on the main page. Select from the list of preset times to set a timer that will power off the appliance once the countdown is complete.

8.0 maintenance

8.1 cleaning

WARNING

- Always turn the heater off and unplug the power cord from the outlet before cleaning, performing maintenance, or moving this appliance. Failure to do so could result in electric shock, fire, or personal injury.
- Never immerse in water or spray with water. Doing so could result in electric shock, fire, or personal injury.

Metal:

- Buff using a soft cloth, slightly dampened with a citrus oil-based product.
- Do not use brass polish or household cleaners as these products will damage the metal trim.

Glass:

- Use a good quality cleaner sprayed onto the cloth or towel. Dry thoroughly with a paper towel or lint-free cloth.
- Never use abrasive cleaners, liquid sprays, or any cleaner that could scratch the surface.

Vents:

- Use a vacuum or duster to remove dust and dirt from the heater and vent areas.

Plastic:

- Wipe gently with a slightly damp cloth and a mild solution of dish soap and warm water.
- Never use abrasive cleaners, liquid sprays, or any cleaner that could scratch the surface.



Batteries must be disposed of according to the local laws and regulations. Some batteries may be recycled, and may be accepted for disposal at your local recycling center. Check with your municipality for recycling instructions.

8.2 heater lock out switch

This fireplace has a switch that can be actioned to provide physical lockout means for the heater. This switch is located above the touch panel to provide additional measures to lock out the operation of the heater.

WARNING

- Failure to position the parts in accordance with this manual or failure to use only parts specifically approved with this appliance may result in property damage or personal injury.

Contact your dealer for questions concerning prices and policies on replacement parts. Normally, all parts can be ordered through your Authorized dealer / distributor.

For warranty replacement parts, a photocopy of the original invoice will be required to honour the claim.

When ordering replacement parts always give the following information:

- Model & Serial Number of appliance
- Installation date of appliance
- Part number
- Description of part
- Finish

Parts, part numbers, and availability are subject to change without notice.

Parts identified as stocked will be delivered within 2 to 5 business days for most delivery destinations.

Parts not identified as stocked will be delivered within a 2 to 4 week period, for most cases.

Parts identified as 'SO' are special order and can take up to 90 days for delivery.

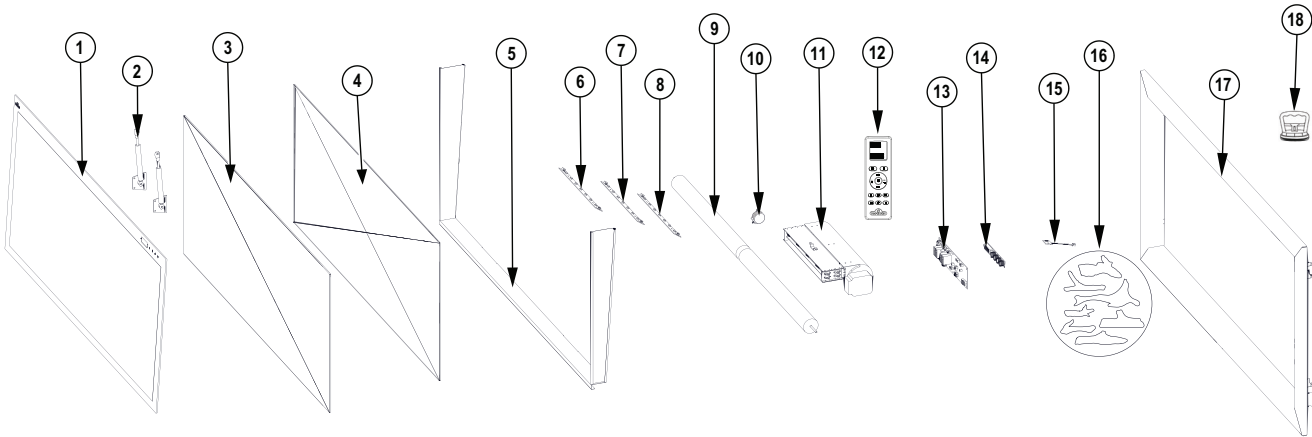
9.0.1 optional accessories

Description	NEFB50AB	NEFB62AB	NEFB74AB	NEFB96AB
Wall-Mount Controller Assembly	W190-0255			
Black Crystal Kit	(3) G497-0004 (2) G497-0006	(2) G497-0004 (1) G497-0005 (2) G497-0007	(3) G497-0005 (3) G497-0006	(5) G497-0004 (3) G497-0007
Birch Log Kit	BLKS	BLKM	BLKL	BLKXL
Mineral Rock Kit	MRKS	MRKM	MRKL	MRKXL
Glass Beads MKBK - Black MKBC - Clear MKBB - Blue MKBT - Topaz MKBA - Amber	(x3) MKBK - Black MKBC - Clear MKBB - Blue MKBT - Topaz MKBA - Amber	(x5) MKBK - Black MKBC - Clear MKBB - Blue MKBT - Topaz MKBA - Amber	(x6) MKBK - Black MKBC - Clear MKBB - Blue MKBT - Topaz MKBA - Amber	(x8) MKBK - Black MKBC - Clear MKBB - Blue MKBT - Topaz MKBA - Amber

9.1 NEFB50/62/74/96AB

note:

Care must be taken when removing and disposing of any broken glass or damaged components. Be sure to vacuum away any broken glass from inside the appliance before operation.



Items may not appear exactly as illustrated.

REF. #	Description					Stocked
		NEFB50AB	NEFB62AB	NEFB74AB	NEFB96AB	
1	Front Glass	W300-0424	W300-0425	W300-0426	W300-0427	Yes
2	Air Struts Kit	W370-0295		W370-0296		Yes
3	Tempered Glass	W300-0429	W300-0430	W300-0431	W300-0432	Yes
4	Flame Projection Plastic Panel	W565-0535	W565-0536	W565-0537	W565-0538	Yes
5	Trimless Kit	W370-0298	W370-0299	W370-0300	W370-0301	Yes
6	Flame LED Light	W405-0106				Yes
7	Ember Bed Light	W405-0047, W405-0048				Yes
8	Top LED Light	W405-0047, W405-0048				Yes
9	Reflector Spindle	W010-6208	W010-6209	W010-6210	W010-6211	Yes
10	Rotisserie Motor	W435-0132				Yes
11	Blower and Heater Assembly	W010-6206				Yes
12	Remote Control	W190-0252				Yes
13	Main Circuit Board	W190-0253				Yes
14	Control Panel (Without Remote Receiver)	W190-0254				Yes
15	Thermostat	W690-0029				Yes
16	Logset	GL-716	GL-717	GL-718	GL-719	Yes
17	1PC Trim	W715-1314	W715-1315	W715-1316	W715-1317	Yes
18	Suction Disc	W220-0001				Yes
19*	Media Kits	W370-0304	W370-0305	W370-0306	W370-0307	Yes
20*	Hardware Kit	W370-0302				Yes
21*	Adjustable Pin	W485-0077				Yes

* Part not illustrated

WARNING

- Turn off the appliance completely and let cool before servicing. Only a qualified service person should service and repair this electric appliance.

symptom	problem	solution
Appliance will not come on when power button/switch is put into the "on" position.	Appliance is not plugged into an electrical outlet.	Check plug, and plug in the appliance if necessary.
	Hard wire connections are not correct.	See "hard-wiring installation" section.
	Appliance has overheated and safety thermal switch has tripped.	Unplug power or turn off the circuit breaker, allow appliance to cool for 15 minutes, then plug in the appliance or turn the breaker on.
	Main PCB board issue.	Inspect the circuit board and replace, if necessary.
Appliance turns off and will not turn on.	House circuit breaker has tripped.	Reset house circuit breaker.
	Appliance's fuse has blown.	Replace the fuse.
	Appliance has overheated and safety thermal switch has tripped.	Unplug power or turn off the circuit breaker, allow appliance to cool for 15 minutes to reset the thermal switch, then plug in the appliance or turn the breaker on.
Appliance has returned to default settings.	Power failure.	Re-program appliance to original settings (not applicable with all appliances).
Remote control does not work.	Low/dead batteries.	Replace batteries in remote control.
	Remote receiver malfunction.	Ensure remote receiver is not blocked. Replace control panel.
No warm air coming out of the appliance.	Heater setting not selected.	See "operation" section.
	Heater has been locked out.	See "operation" section.
	Room temperature is higher than appliance setting (if set to room temperature).	Reset temperature setting.
	Appliance has overheated and safety thermal switch has tripped.	Unplug power or turn off the circuit breaker. Allow for appliance to cool for 15 minutes.
	Hard wire connections are not correct.	See "hard-wiring installation" section.
	Heater issue.	Inspect the blower and heater and replace, if necessary.
Heater shuts off automatically.	Room is too warm.	The heater has a built-in thermostat so it will shut off automatically once the pre-set temperature is reached. It will also turn on automatically if the room temperature drops below the pre-set temperature.
Dim or no flame.	Flame brightness not selected.	See "operation" section.
	Flame LEDs issue.	Inspect the LED and replace, if necessary.
	Main PCB board issue.	Inspect the main PCB board and replace, if necessary.
Flame does not move.	Motor is stalled/malfunctioning.	Cycle on/off. If problem persists, consult dealer.

symptom	problem	solution
Ember bed is not glowing or dimming.	Brightness not selected.	See “operation” section
	Ember LED issue.	Inspect the ember bed LEDs and replace, if necessary.
	Main PCB board issue.	Inspect the main PCB board and replace, if necessary.
LED flashing “OH”.	Appliance has overheated and safety thermal switch has tripped.	Unplug power or turn off the circuit breaker. Allow appliance to cool for 15 minutes, then plug in the appliance or turn the breaker on. If problem persists, consults your dealer.
LED flashing “E-1”.	Error code for temperature sensor	Consult local service dealer.
		Inspect / replace temperature sensor.
LED flashing “E-2”.	Error code for blower	Consult local service dealer.
		Inspect wire harness / replace blower and heater assembly.
LED flashing “E-3”.	Error code for heater	Consult local service dealer.
		Inspect wire harness / replace blower and heater assembly.

11.0 warranty

Napoleon electric appliances are manufactured under the strict Standard of the world recognized ISO 9001 : 2015 Quality Management System.

Napoleon products are designed with superior components and materials and assembled by trained craftsmen who take great pride in their work. Once assembled, the complete appliance is thoroughly inspected by a qualified and authorized installer, service agency, or supplier before packing to ensure that you, the customer, receive the quality product that you expect from **Napoleon**.

Napoleon Electric Appliance Premium Warranty

Electrical components and wearable parts are covered and **Napoleon** will provide replacement parts free of charge during the first 2 years of premium warranty. This covers: fan/heaters, motors, switches, nylon bearing components, remote controls, and LED lights.*

Light bulbs and fuses are NOT covered by the warranty.

In the first year only, any labour related to warranty repair is covered.

* Construction of models vary. Warranty applies only to components included with your specific appliance.

Conditions and Limitations

Napoleon warrants its products against manufacturing defects to the original purchaser only. Registering your warranty is not necessary. Simply provide your proof of purchase along with the model and serial number to make a warranty claim. Provided that the purchase was made through an authorized **Napoleon** dealer, your appliance is subject to the following conditions and limitations:

Warranty coverage begins on the date of original installation.

This factory warranty is non-transferable and may not be extended whatsoever by any of our representatives.

Installation must be done in accordance with the installation instructions included with the product and all local and national building and fire codes.

This premium warranty does not cover damages caused by misuse, lack of maintenance, accident, alterations, abuse, or neglect and parts installed from other manufacturers will nullify this warranty.

This premium warranty further does not cover any scratches, dents, corrosion, or discolouring caused by excessive heat, abrasive and chemical cleaners, nor chipping on porcelain enamel parts, mechanical breakage of PHAZER™ logs.

In the first 2 years only, this warranty extends to the repair or replacement of warranted parts which are defective in material or workmanship, provided that the product has been operated in accordance with the operation instructions and under normal conditions.

After the first year, **Napoleon** will not be responsible for installation, labour, or any other expenses related to the reinstallation of a warranted part, and such expenses are not covered by this warranty. Notwithstanding any provisions contained in the Premium Warranty, **Napoleon** responsibility under this warranty is defined as above, and it shall not in any event extend to any incidental, consequential, or indirect damages.

This warranty defines the obligations and liability of **Napoleon** with respect to the **Napoleon** electric appliance and any other warranties expressed or implied with respect to this product; its components or accessories are excluded.

Napoleon neither assumes, nor authorizes any third party to assume, on its behalf, any other liabilities with respect to the sale of this product.

Any damages to appliance, brass trim or other component due to water, weather damage, long periods of dampness, condensation, damaging chemicals, or cleaners will not be the responsibility of **Napoleon**.

Napoleon reserves the right to have its representative inspect any product or part thereof prior to honouring any warranty claim.

All parts replaced under the Premium Warranty Policy are subject to a single claim.

All parts replaced under the warranty will be covered for a period of 90 days from the date of their installation.

The manufacturer may require that defective parts or products be returned or that digital pictures be provided to support the claim. Returned products are to be shipped prepaid to the manufacturer for investigation. If a product is found to be defective, the manufacturer will repair or replace such defect.

Before shipping your appliance or defective components, your dealer must obtain an authorization number. Any merchandise shipped without authorization will be refused and returned to sender.

Shipping costs are not covered under this warranty.

Additional service fees may apply if you are seeking warranty service from a dealer.

All specifications and designs are subject to change without prior notice due to on-going product improvements. **Napoleon** is a registered trademark of Wolf Steel Ltd.

NAPOLEON CELEBRATING OVER 40 YEARS OF HOME COMFORT PRODUCTS



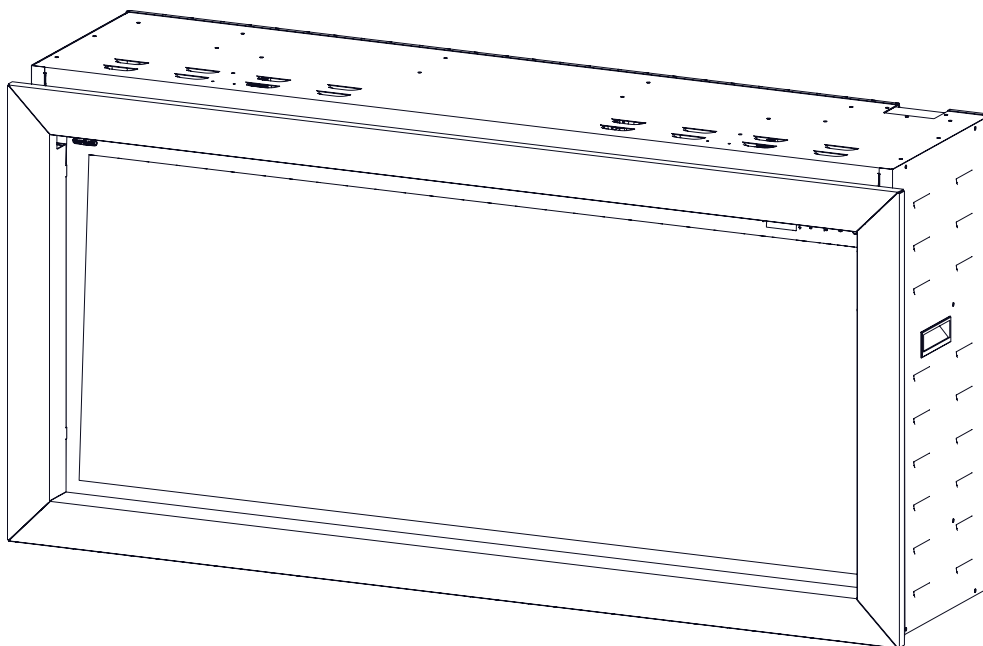
7200, Route Transcanadienne, Montréal, Québec H4T 1A3
24 Napoleon Road, Barrie, Ontario, Canada L4M 0G8
214 Bayview Drive, Barrie, Ontario, Canada L4N 4Y8
103 Miller Drive, Crittenden, Kentucky, USA 41030
De Riemsdijk 22, 4004 LC Tiel, The Netherlands

Phone: 1-866-820-8686
napoleon.com



MANUEL D'INSTALLATION ET D'OPÉRATION

Série Astound-Built In^{MD}
(NEFB50AB Illustré)



CONSIGNES DE SÉCURITÉ

AVERTISSEMENT

RISQUE D'INCENDIE OU D'EXPLOSION

Si ces instructions ne sont pas suivies à la lettre, un incendie pourrait s'ensuivre causant des dommages matériels, des blessures corporelles ou des pertes de vie.

- N'entreposez pas et n'utilisez pas d'essence ou autres liquides et vapeurs inflammables à proximité de cet appareil ou tout autre appareil.

INSTALLATEUR:

Laissez ce manuel avec l'appareil

PROPRIÉTAIRE:

Conservez ce manuel pour consultation ultérieure.

POUR L'UTILISATION INTÉRIEUR SEULEMENT

Certifié SELON LES NORMES NATIONALES CANADIENNES ET AMÉRICAINES:
CSA 22.2 No. 46 / ul 1278



Wolf Steel Ltd., 24 Napoleon Rd., Barrie, ON, L4M 0G8 Canada / 103 Miller Drive, Crittenden, Kentucky, USA, 41030
Téléphone 1 (866) 826 8686 • www.napoleon.com • hearth@napoleon.com

AVERTISSEMENT

- **Si équipé avec un chauffage, cet appareil peut être chaud lorsqu'il fonctionne et peut causer de graves brûlures en cas de contact.**
- Ne faites pas fonctionner l'appareil avant d'avoir lu et compris les instructions d'utilisation. L'incapacité de respecter les instructions pourrait causer un incendie ou des blessures corporelles.
- N'installez pas de composants endommagés ou incomplets, ni des composants de substitution.
- Ne brûlez pas de bois ou autres matériaux dans cet appareil.
- Tous les appareils électriques contiennent des composants internes qui deviennent chauds et qui produisent des étincelles. N'utilisez pas cet appareil dans des endroits où de l'essence, des peintures ou d'autres liquides inflammables sont présents.
- Les grillages de sécurités ou écrans enlevés pour faire l'entretien devront être remis en place avant d'utiliser l'appareil.
- Il est primordial de garder propres les compartiments de contrôle, les brûleurs, la soufflerie, les bouches d'air de l'appareil ainsi que le système d'évacuation. L'appareil et son système d'évacuation doivent être inspectés avant la première utilisation et au moins une fois l'an par un spécialiste en entretien. Un entretien plus fréquent pourrait être nécessaire en raison des peluches provenant des tapis, literie, etc. L'emplacement de l'appareil doit être gardé libre de tous matériaux combustibles, essence ou autres liquides et vapeurs inflammables.
- Cet appareil ne devra être modifié en aucun cas.
- N'utilisez pas cet appareil si une partie quelconque a été submergée. Contactez immédiatement un technicien de service qualifié pour inspecter l'appareil et pour remplacer toute pièce du système de contrôle qui aurait été submergée.
- Si équipé avec une porte vitrée, n'opérer pas l'appareil lorsque la porte vitrée est enlevée, fissurée ou brisée. Le remplacement de la vitre devra être effectué par un technicien de service certifié ou qualifié.
- Si équipé avec un porte vitrée, ne frappez pas et ne claquez pas la porte vitrée de l'appareil.
- Les matériaux d'emballage doivent être gardés hors de la portée des enfants et mis au rebut de façon sécuritaire. Comme tous les emballages de plastique, ceux-ci ne sont pas des jouets et doivent demeurer hors de la portée des enfants et des bébés.
- L'entretien ne doit être effectué que lorsque l'appareil est débranché du circuit électrique.
- Débranchez toujours l'appareil lorsqu'il n'est pas utilisé.
- N'utilisez pas l'appareil si le cordon d'alimentation ou la fiche sont endommagés, s'il ne fonctionne pas bien, ou s'il a été échappé ou endommagé d'une quelconque façon. Retournez l'appareil à un centre de service autorisé pour une inspection, des ajustements électriques ou mécaniques ou une réparation.
- N'utilisez pas cet appareil à l'extérieur.
- Lorsque vous installez cet appareil dans une pièce où l'eau est présente, l'installation doit se conformer aux codes reconnaissant le risque accru de décharge électrique et d'électrocution.

note:

Cet appareil NE PEUT PAS être installé dans une salle de bain.

- Ne passez pas le cordon d'alimentation sous un tapis. Ne recouvrez pas le cordon avec des carpettes, des tapis de couloir ou autres revêtements similaires. Évitez de placer le cordon dans un endroit passant ou à un endroit où il risque de causer des chutes.
- Branchez seulement dans une prise de courant adéquatement mise à la terre.
- N'insérez pas d'objets dans les ouvertures d'entrée d'air ou de sortie d'air puisque cela risque d'endommager l'appareil ou causer des chocs électriques ou un incendie.
- Il est normal que votre appareil électrique produise du bruit, surtout s'il est installé dans un endroit calme comme un chambre à coucher.

AVERTISSEMENT

- Pour prévenir les risques d'incendie, ne bloquez pas les entrées d'air et les sorties d'air de quelque manière que ce soit. Ne placez pas cet appareil sur une surface molle telle qu'un tapis où les ouvertures pourraient se bloquer.
- Toujours brancher l'appareil directement dans une prise murale. N'utilisez pas de cordons d'alimentation ou une robinet d'alimentation relogables (alimentation/multiprise).
- Cet appareil a été testé et homologué pour usage avec les accessoires optionnels listés dans ce manuel uniquement. L'utilisation d'accessoires optionnels qui n'ont pas été spécifiquement testés pour cet appareil électrique annulera la garantie de l'appareil et/ou présentera des risques pour la sécurité.

Pour les appareil équipé avec chauffage:

- Risque de brûlures. L'appareil doit être éteint et refroidi avant d'effectuer l'entretien. Pour débrancher l'appareil, mettez d'abord les boutons de contrôle à « OFF » puis retirez la fiche de la prise de courant.
- Les jeunes enfants doivent être supervisés attentivement lorsqu'ils sont dans la même pièce que l'appareil recommandés s'il y a dans la maison des individus à risque. Les jeunes enfants et autres personnes sont sujets aux brûlures accidentelles. Une barrière de protection est recommandée s'il y a dans la maison des individus à risque. Afin de restreindre l'accès à l'appareil, installez une barrière de protection ajustable pour garder les jeunes enfants ou autres personnes à risque hors de la pièce et loin des surfaces chaudes.
- Les vêtements et autres matériaux combustibles ne doivent pas être posés sur l'appareil ou à proximité.
- En raison des températures élevées, l'appareil devrait être placé loin des endroits passants et loin des meubles et des rideaux.
- Assurez-vous de disposer de mesures de sécurité adéquates pour empêcher les jeunes enfants de toucher aux surfaces chaudes.
- Même lorsque l'appareil est éteint, la porte et l'écran demeureront chauds pendant un bon moment.
- Consultez votre détaillant local de foyer pour connaître les grillages de sécurité et les écrans offerts pour protéger les enfants des surfaces chaudes. Ces grillages de sécurité et ces écrans doivent être fixés au plancher.
- Assurez-vous de respecter les dégagements aux matériaux combustibles lorsque vous installez un manteau ou des tablettes au-dessus de l'appareil. Les téléviseurs et autres composants électroniques soumis à des températures élevées peuvent fondre, se déformer, se décolorer et entraîner des défaillances prématurées de ces appareils.

 AVERTISSEMENT: Ce produit peut vous exposer à des substances chimiques incluant le plomb et les composés de plomb qui, selon l'État de Californie, causeraient le cancer, et des substances chimiques incluant le BBP et DEHP qui, selon d'État de Californie, causeraient des malformations congénitales ou autres dangers pour la reproduction. Pour de plus amples renseignements, visitez le www.P65Warnings.ca.gov.

Cet appareil est conforme à la partie 15 des règles de la FCC. Son fonctionnement est soumis aux deux conditions suivantes : 1) cet appareil ne doit pas causer d'interférences nuisibles, et 2) cet appareil doit accepter toutes les interférences reçues, y compris celles pouvant entraîner un fonctionnement indésirable. Toute modification non expressément approuvée par la partie responsable de la conformité pourrait annuler l'autorité de l'utilisateur pour utiliser l'équipement.

NOTE: Cet équipement a été testé et jugé conforme aux limites applicables aux appareils numériques de Classe B, conformément à la Partie 15 des règles de la FCC. Ces limites sont conçues pour offrir une protection raisonnable contre les interférences nuisibles dans une installation résidentielle. Cet équipement génère, utilise et peut émettre des radiofréquences, et s'il n'est pas installé et utilisé conformément aux instructions, il peut provoquer des interférences nuisibles aux communications radio. Cependant, il n'existe aucune garantie que des interférences ne se produiront pas dans une installation particulière.

Si cet équipement provoque des interférences nuisibles à la réception radio ou télévision, ce qui peut être déterminé en allumant et en éteignant l'équipement, il est recommandé à l'utilisateur de tenter de corriger les interférences en suivant une ou plusieurs des mesures suivantes :

- Réorienter ou déplacer l'antenne de réception.
- Augmenter la distance entre l'équipement et le récepteur.
- Brancher l'équipement sur une prise de courant située sur un circuit différent de celui auquel le récepteur est connecté.
- Consulter le revendeur ou un technicien radio/TV expérimenté pour obtenir de l'aide.

NOTE: Cet appareil et ses antennes ne doivent pas être placés à proximité ou utilisés en conjonction avec une autre antenne ou un autre émetteur.

table de matières

FR

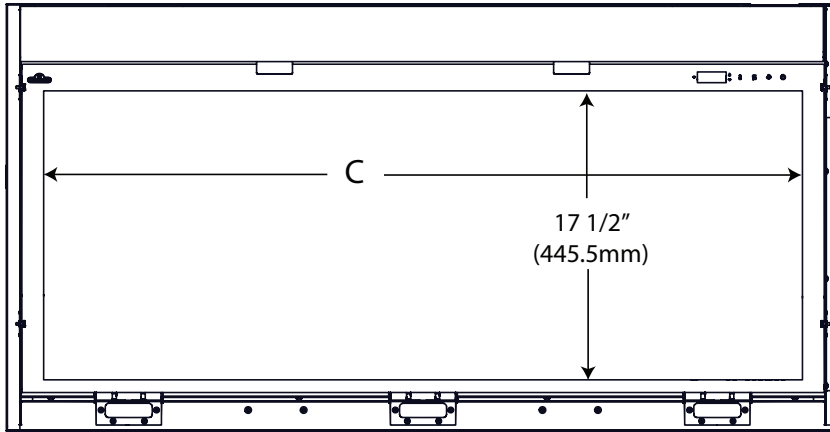
1.0	information générale	43
1.1	dimensions	43
1.2	homologations	44
1.3	instructions générales	44
1.4	déballage et test de l'appareil	45
1.5	liste de pièces	45
1.6	information à propos de la plaque d'homologation	46
1.7	emplacement de l'étiquette	47
2.0	présentation de l'installation	48
2.1	dégagements minimaux de la tablette	49
2.2	charpente brute	49
2.3	préparation de l'unité	50
3.0	information électrique	51
3.1	câblage dur 120V	52
3.2	câblage dur 120V	53
3.3	installation du contrôleur mural	53
4.0	matériel de finition	54
4.1	matériel de finition	54
4.1.1	zones sécurisées pour les vis	54
4.2	installation de matériaux combustibles et non combustibles	54
4.3	installation du média	55
4.4	pose et dépose de la vitre frontale	56
5.0	schéma de câblage	59
6.0	fonctionnement	60
6.1	fonctionnement du panneau de contrôle	60
6.2	fonctionnement de la télécommande	61
6.3	commande de montage mural	64
7.0	connexions napoléon	65
7.1	connexion à l'application	66
7.2	utiliser l'application	68
7.2.2	réglage de la chaleur	68
7.2.1	réglage de la puissance	68
7.2.3	réglage du lit de braises	69
7.2.4	réglage de la flamme	69
7.2.5	réglages des lumières accessoires	70
7.2.6	réglages de la minuterie	70
8.0	entretien	71
8.1	nettoyage	71
8.2	interrupteur de verrouillage du chauffage	71
9.0	pièces de rechange	72
9.1	NEFB50/62/74/96AB	73
10.0	guide de dépannage	74
11.0	warranty	76

note:

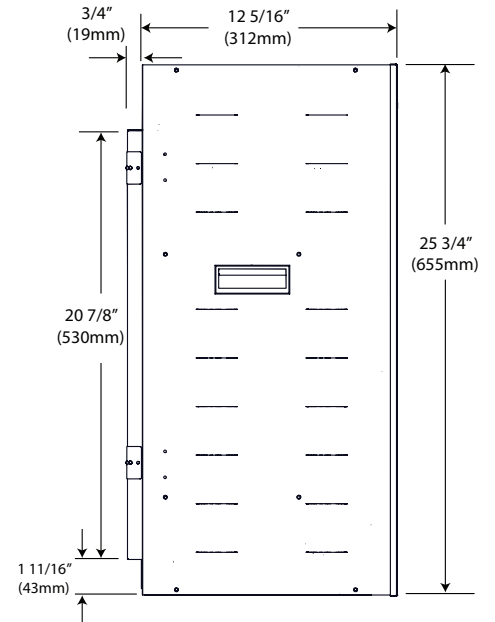
L'information contenue dans ce manuel est jugée correcte au moment de l'impression. Wolf Steel Ltée. se réserve le droit de modifier ou de modifier toute information contenue dans ce manuel à tout moment sans préavis. Les modifications, autres que les éditoriaux, sont désignées par une ligne verticale dans la marge.

1.1 dimensions

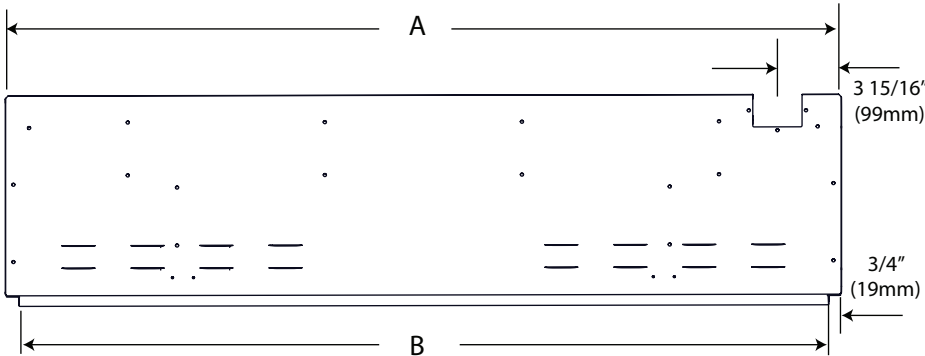
vue de face



vue de côté



vue de dessus



Dimensions			
N° de Modèle	A (largeur extérieure)	(B) Ouverture de finition	(C) Zone de visionnage
NEFB50AB	50 1/4"	48 5/8"	45 3/4"
	1276mm	1234mm	1162mm
NEFB62AB	62 1/4"	60 5/8"	57 3/4"
	1579mm	1539mm	1467mm
NEFB74AB	74 1/4"	72 5/8"	69 3/4"
	1882mm	1844mm	1772mm
NEFB96AB	96 1/4"	94 5/8"	91 3/4"
	2441mm	2402mm	2330mm

information générale

FR

1.2 homologations

N° de Modèle	Poids Net	Poids Brut
NEFB50AB	132 lbs (60kg)	158 lbs (72kg)
NEFB62AB	156 lbs (71kg)	189 lbs (86kg)
NEFB74AB	183 lbs (83kg)	229 lbs (104kg)
NEFB96AB	227 lbs (103kg)	282 lbs (128kg)

Description	Appareil Électrique
Type	Encastré dans le mur / Encastrable uniquement
Voltage	120V AC / 240V AC *
Watts	MAX 1500W / 3000W *
Amps	Dédié 15 AMP circuit mis à la terre

Cet appareil a été testé conformément aux normes CSA pour les appareils électriques fixes et dédiés à une pièce aux États-Unis et au Canada. Si vous avez besoin d'aide lors de l'installation, veuillez contacter votre revendeur local.

note:

Cet appareil doit être électriquement câblé et mis à la terre conformément aux codes locaux ou, en l'absence de codes locaux, avec la dernière édition d'ANSI/NFPA 70 du National Code Électrique aux États-Unis ou le Code Canadien de l'Électricité CSA C22.1 au Canada.

1.3 instructions générales

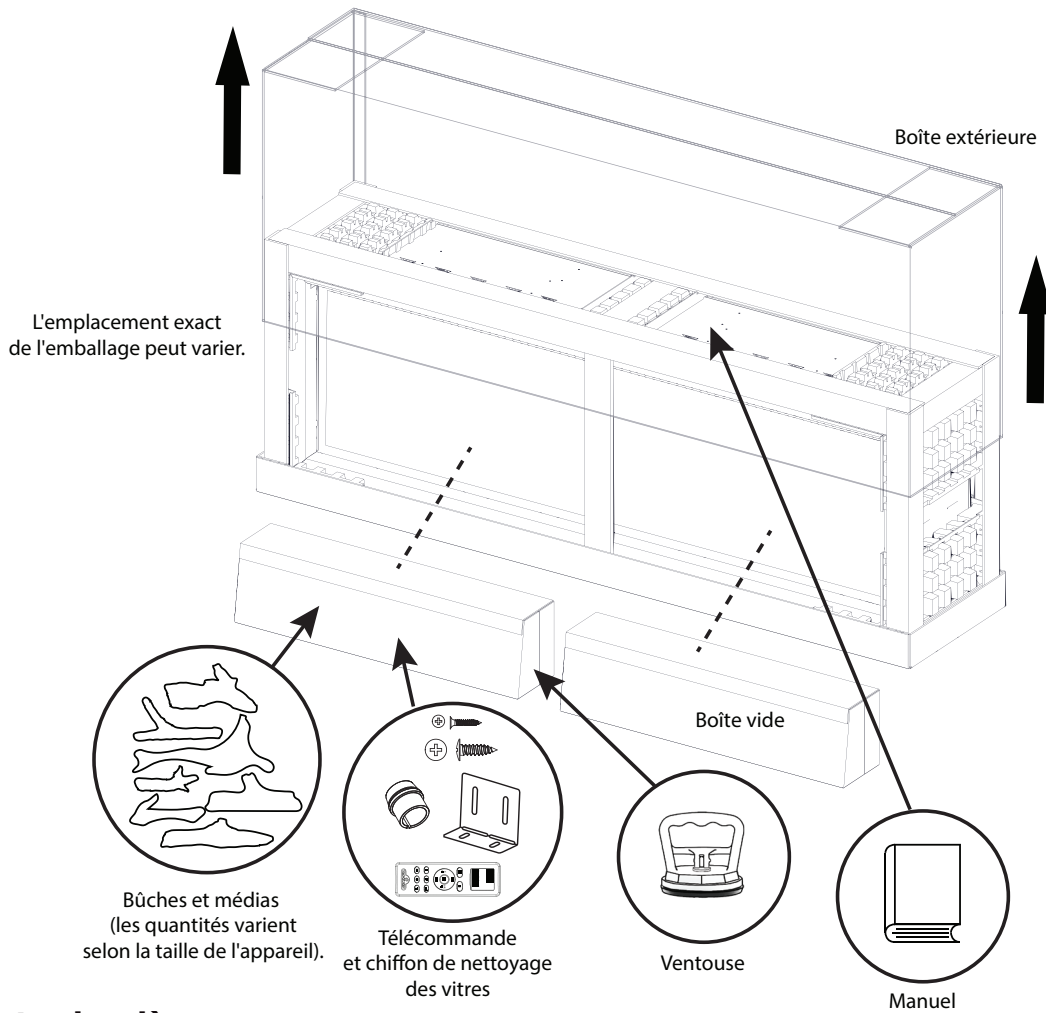
- Avant de brancher votre appareil sur une prise électrique, veuillez vérifier que les disjoncteurs de la maison pour cette prise sont activés.
- L'appareil peut émettre une légère odeur inoffensive lors de sa première utilisation. Cette odeur est normale et est causée par le chauffage initial des éléments internes de l'appareil. Elle ne se reproduira pas par la suite
- Si votre appareil ne produit pas de chaleur lorsque vous l'allumez, veuillez consulter la section "fonctionnement" de ce manuel pour obtenir des informations supplémentaires.

Cet appareil électrique répond aux normes de construction et de sécurité de H.U.D. (Department of Housing and Urban Development) pour une utilisation dans les maisons préfabriquées lorsque installé selon ces instructions.

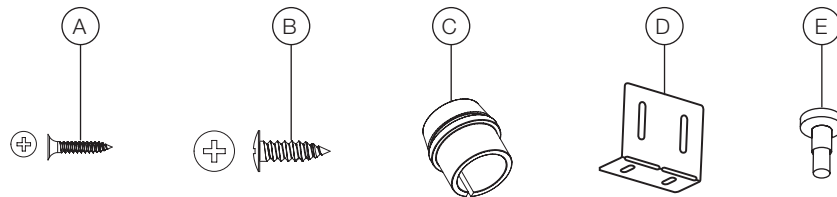
Comme c'est le cas avec la plupart des appareils électroniques, votre nouvel appareil électrique a été conçu pour fonctionner à des températures comprises entre 5°C (41°F) et 35°C (95°F). Pendant les mois d'hiver plus froids, veuillez à laisser l'appareil atteindre la température ambiante avant de le mettre en marche.

1.4 déballage et test de l'appareil

Assurez-vous de déballer cet appareil avec deux personnes. Référez-vous à la liste du matériel (voir section "Liste du matériel") pour vous préparer à l'installation.



1.5 liste de pièces



Liste de pièces					
Objet	Description	Quantité			
		NEFB50AB	NEFB62AB	NEFB74AB	NEFB96AB
A	Vis à bois	8			
B	Vis en métal ST4x12	8			
C	Soulagement de la tension	1			
D	Support de montage	4			
E	Vis à tête réglable	4			

information générale

FR 1.6 information à propos de la plaque d'homologation

Cette illustration est à titre d'illustration seulement. Consultez la plaque d'homologation pour obtenir l'information précise.

CERTIFIED UNDER CANADIAN AND AMERICAN NATIONAL STANDARD: CSA 22.2 NO. 46 AND UL 2021 / HOMOLOGUÉ SELON LES NORMES NATIONALES CANADIENNES ET AMÉRICAINES: CSA 22.2 NO. 46 UL ET 2021
ELECTRIC FIREPLACE. SUITABLE FOR BEDROOM AND BED-SITTING ROOM INSTALLATION.
SUITABLE FOR MOBILE HOME INSTALLATION. FOYER À ÉLECTRIQUE. HOMOLOGUÉ POUR
INSTALLATION DANS UNE CHAMBRE À COUCHER, UNE SALLE DE BAIN ET UN STUDIO. APPROPRIÉ POUR
INSTALLATION DANS UNE MAISON MOBILE.

ETL
C-UL US
MASTER CONTRACT: 161746
CONTRAT-CADRE: 161746

FC

NEFB50AB NEFB74AB
 NEFB62AB NEFB96AB

VOLTAGE: 120V AC / 240V AC **TENSION:** 120V AC / 240V AC
FREQUENCY: 60Hz **FRÉQUENCE:** 60Hz
POWER: 1500W / 3000W **PUISSANCE:** 1500W / 3000W
DATE CODE: **CODE DE DATE:**
DESIGNED IN NORTH AMERICA DÉSIGNÉ EN AMÉRIQUE DU NORD
BY WOLF STEEL LTD. PAR WOLF STEEL LTÉE.
MADE IN CHINA FABRIQUÉ EN CHINE

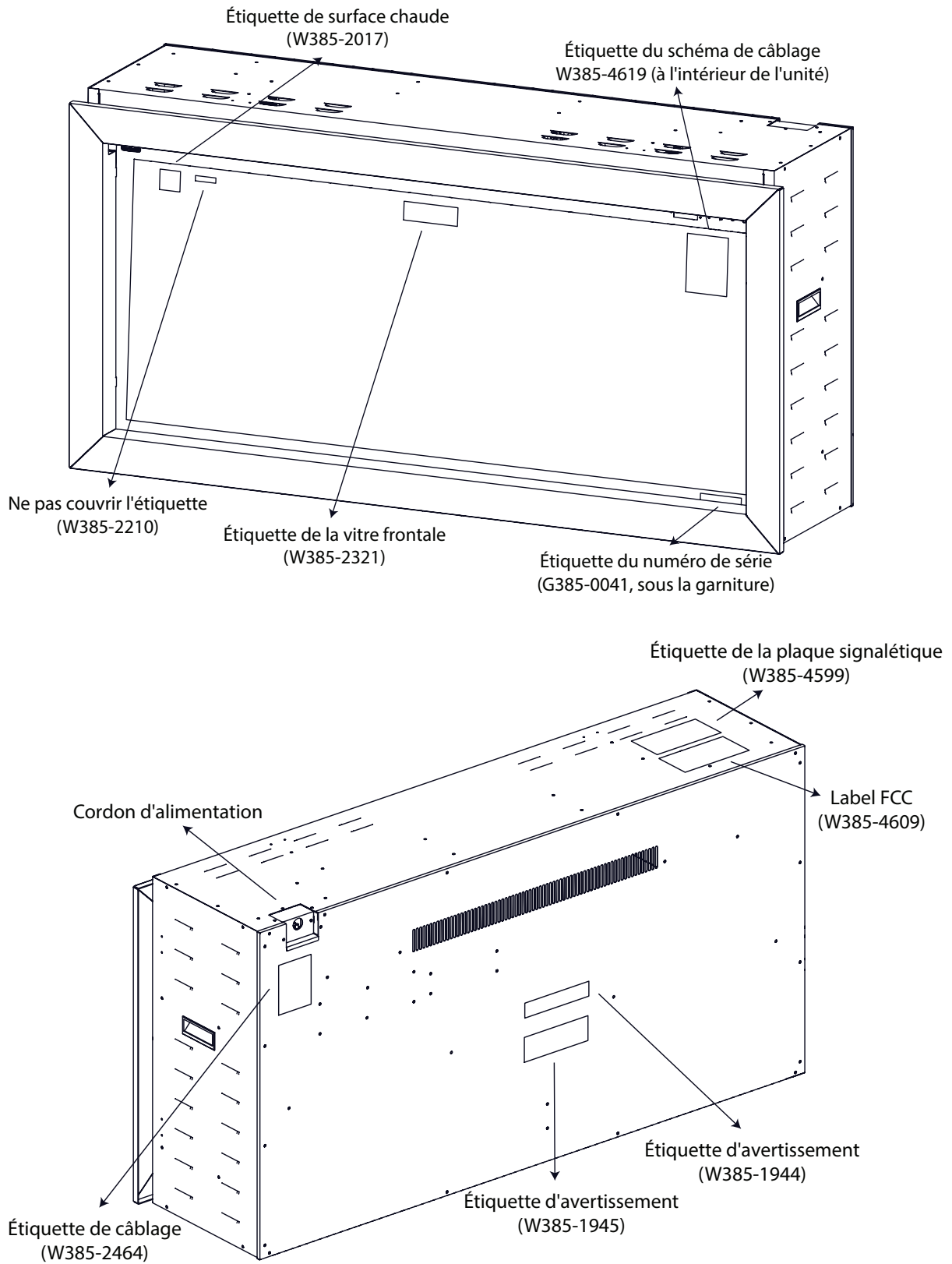
WOLF STEEL LTD.
24 NARRACON ROAD,
BARRIE, ON, L4M 0G8 CANADA

SERIAL NUMBER/NO. DE SÉRIE: **NEFBXXAB** W385-4599 / A

note:

La plaque d'homologation doit resté avec l'appareil à tous les temps. Elle ne doit pas être enlevée.

1.7 emplacement de l'étiquette



2.0 présentation de l'installation

FR

! AVERTISSEMENT

- Risque d'incendie! Le cordon d'alimentation ne doit pas être coincé contre une arrête vive. Fixez le cordon pour éviter les chutes ou les accrochages afin de réduire le risque d'incendie, de choc électrique ou de blessures corporelles. Ne passez pas le cordon d'alimentation sous un tapis. Ne recouvrez pas le cordon avec des tapis, des tapis de couloir ou autres revêtements similaires. Évitez de placer le cordon dans un endroit passant ou à un endroit où il risque de causer des chutes.
- Risque d'incendie! Pour prévenir les risques d'incendie, ne bloquez pas les entrées d'air et les sorties d'air de quelque manière que ce soit. Ne placez pas cet appareil sur une surface molle où les ouvertures pourraient se bloquer.
- Risque d'incendie! Ne soufflez pas ou ne placez pas d'isolant contre l'appareil.
- Cet appareil électrique a été testé et homologué pour usage avec les accessoires optionnels listés dans ce manuel uniquement. L'utilisation d'accessoires optionnels qui n'ont pas été spécifiquement testés pour cet appareil électrique annulera la garantie de l'appareil et/ou présentera des risques pour la sécurité.
- Si ces instructions ne sont pas suivies à la lettre, un incendie ou une explosion pourraient s'ensuivre, causant des dommages matériels, des blessures corporelles ou des pertes de vie. N'entrez pas et n'utilisez pas d'essence ou autres vapeurs inflammables à proximité de cet appareil ou tout autre appareil.
- Étant donné la lourdeur de cet appareil, il est recommandé que deux personnes en fassent l'installation.
- Si votre appareil est équipé avec chauffage, assurez-vous que les ouvertures de la chauffage ne peut pas, dans aucune façon, être recouverts car il peut provoquer un incendie.

Votre appareil est un appareil installé sur le mur, encastré et/ou installé dans une tablette. Sélectionnez un endroit approprié qui ne soit pas susceptible d'être humide et qu'il soit éloigné des rideaux, des meubles, et des zones à fort trafic.

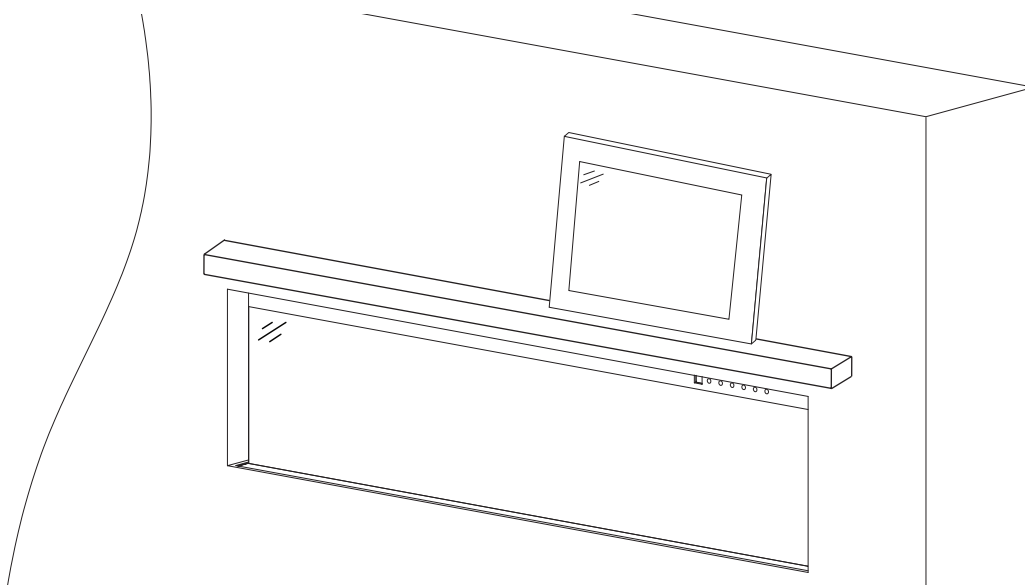
note:

Suivez tous les codes électriques nationaux et locaux.

En raison de la diversité des matériaux utilisés sur les murs, il est fortement recommandé de consulter votre entrepreneur local avant d'installer cet appareil.

Cet appareil doit être installé entièrement encastré dans une enceinte. Il ne peut pas être suspendu au mur.

1. Choisissez un emplacement qui n'est pas exposé à l'humidité et qui se trouve à au moins 36" (91,4 cm) de distance des matériaux combustibles tels que les rideaux, les meubles, la literie, le papier, etc.
2. L'installation comprend 6 étapes principales : la structure de base, l'installation de l'appareil, le câblage électrique, le matériau de finition, les éléments de décoration du foyer et l'installation du verre et des finitions. Chaque étape doit être complétée avant de passer à la suivante afin d'obtenir une installation sans faille et d'éviter d'endommager le produit ou l'encadrement.

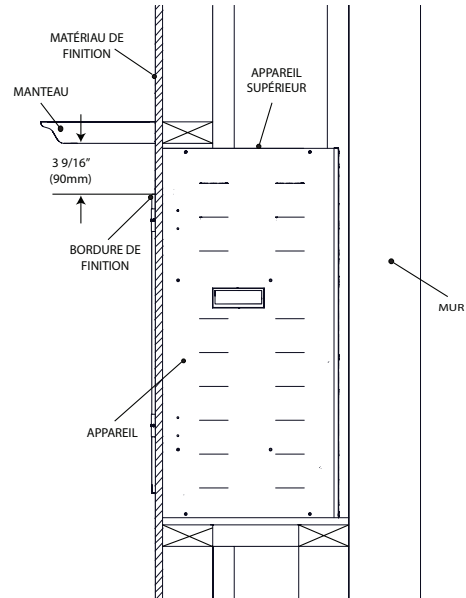


2.1 dégagements minimaux de la tablette

! AVERTISSEMENT

- Lorsque vous utilisez de la peinture ou de la laque pour finir la tablette, la peinture ou la laque doit être résistante à la chaleur pour éviter la décoloration.

Les mesures sont prises depuis le haut de l'appareil:	
Bas, Côtés, Arrière	0"
Haut	0" encastré dans le mur et 3 9/16" (90mm) à la tablette



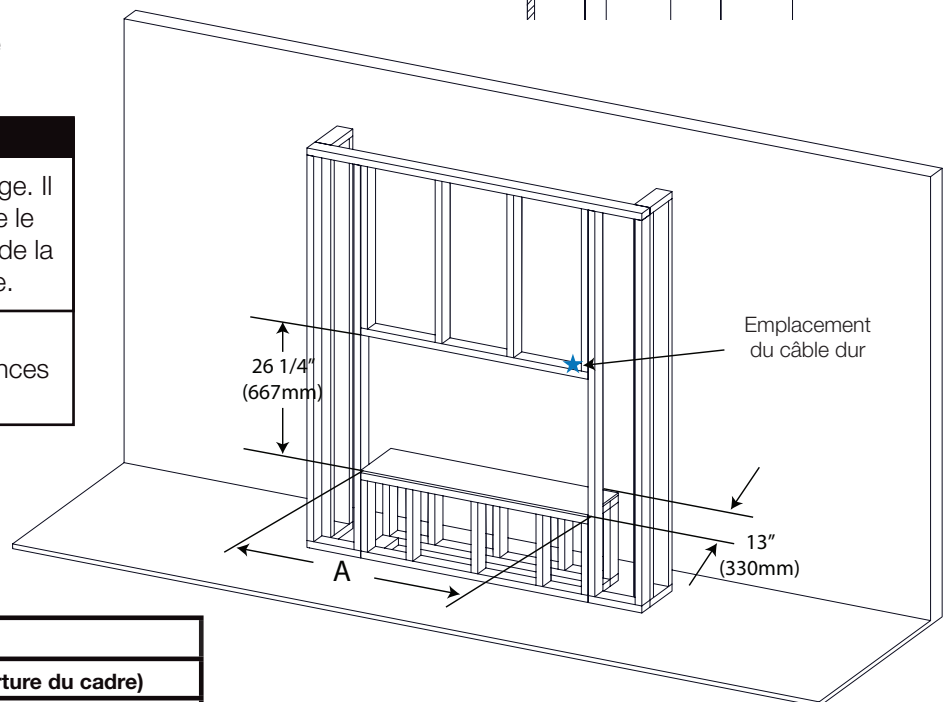
2.2 charpente brute

- Ossature murale non porteuse
- Emplacement du fil dur

note:

L'appareil ne supporte PAS de charge. Il est important de prendre en compte le poids des matériaux de finition lors de la construction de la structure de base.

Assurez-vous que l'installation est conforme à tous les codes et exigences du bâtiment locaux.



Dimensions	
N° de Modèle.	A (largeur de l'ouverture du cadre)
NEFB50AB	50 3/4"
	1289mm
NEFB62AB	62 3/4"
	1594mm
NEFB74AB	74 3/4"
	1898mm
NEFB96AB	96 3/4"
	2457mm

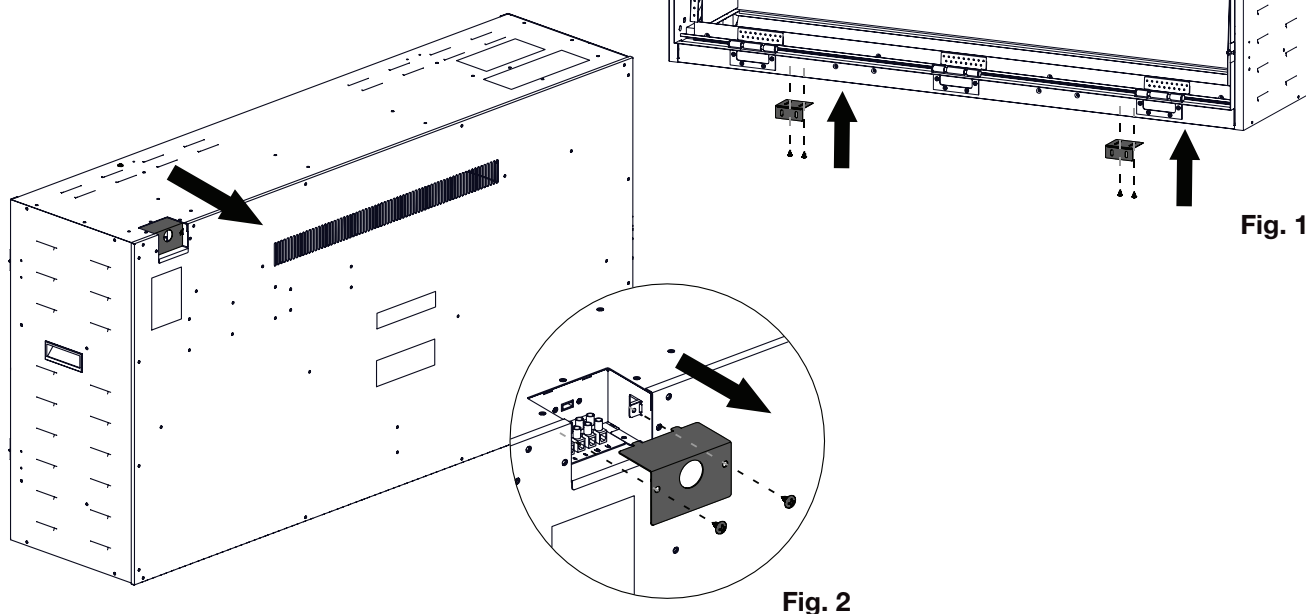
installation

FR

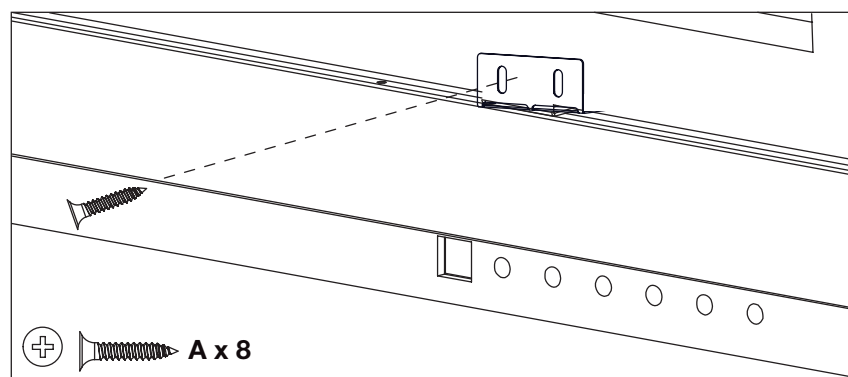
2.3 préparation des appareils

L'appareil nécessite l'installation de supports en haut et en bas du foyer pour permettre son installation dans l'ossature.

1. Veillez à ce que la vitre avant et la garniture soient retirées de l'appareil avant la préparation de l'installation (voir le retrait de la vitre avant).
2. Placez l'appareil face vers le haut sur une surface douce et non abrasive.
3. Installez les supports métalliques aux endroits indiqués à l'aide des vis fournies (**Fig. 1**).
4. Retirez la plaque de couverture de la boîte de jonction (**Fig. 2**).



5. Une fois les supports installés, faites appel à deux personnes pour soulever l'appareil et l'insérer dans l'encadrement brut.
6. Vérifiez la stabilité de l'appareil, en vous assurant qu'il ne risque pas de tomber de l'enceinte.
7. Fixez l'appareil à l'encadrement brut en installant 8 vis (fournies) à travers les supports métalliques (**Fig. 3**).



Poursuivre avec les informations sur l'électricité.

! AVERTISSEMENT

- Coupez l'alimentation électrique à l'appareil et laissez-le refroidir avant d'effectuer un entretien. Seulement un technicien de service qualifié peut effectuer l'entretien ou la réparation de cet appareil électrique.

Il est nécessaire de raccorder cet appareil directement au circuit électrique de votre domicile. Un électricien qualifié doit effectuer le câblage de l'appareil. Le fil et le disjoncteur d'alimentation doivent être classés pour une tension de 120 V, avec un minimum de 15 ampères.

Cet appareil doit être câblé et mis à la terre conformément aux codes locaux ou, en l'absence de codes locaux, selon la dernière édition du National Electrical Code ANSI/NFPA 70 aux États-Unis ou du Code canadien de l'électricité CSA C22.1 au Canada.

Avant de procéder au câblage électrique de l'appareil, retirez le couvercle du boîtier de commande en dévissant les fixations, comme indiqué.

1. Localisez le câble électrique à 2 conducteurs ou 3 conducteurs souhaité sur le côté supérieur droit de l'enceinte pour l'installation du câblage électrique, en fonction de la capacité de sortie de chaleur souhaitée de 120 V ou 240 V (**Fig. 4**).
2. Avec l'appareil dans l'encadrement de base, insérez-le suffisamment dans l'enceinte pour localiser les fils d'alimentation jusqu'au bornier.
3. Faites passer les fils de votre domicile à travers la plaque de couverture de la boîte de jonction à l'aide du passe-fil (fourni) et localisez les fils aux bornes spécifiées du bornier en fonction de la sélection de la tension souhaitée (**Fig. 5**).

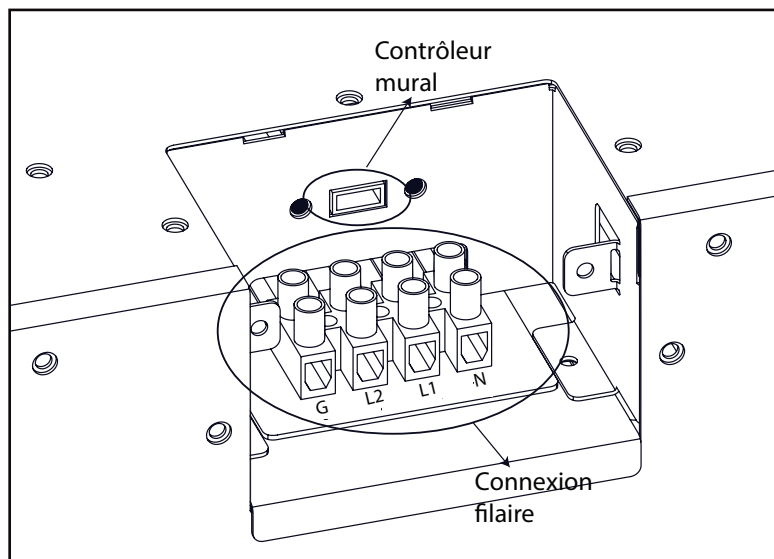


Fig. 4

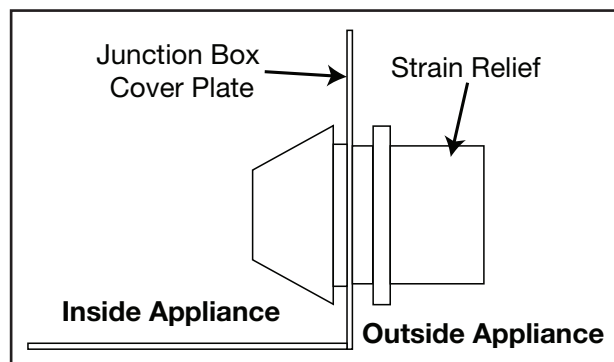
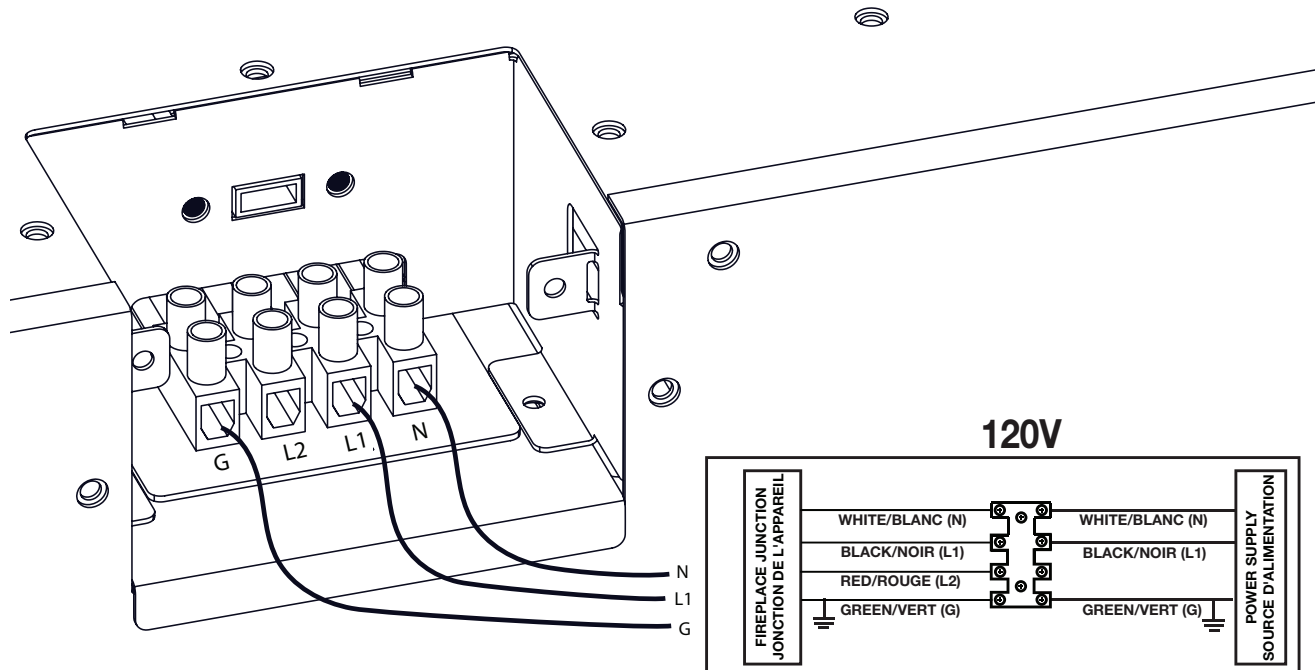


Fig. 5

3.2 câblage dur 120V



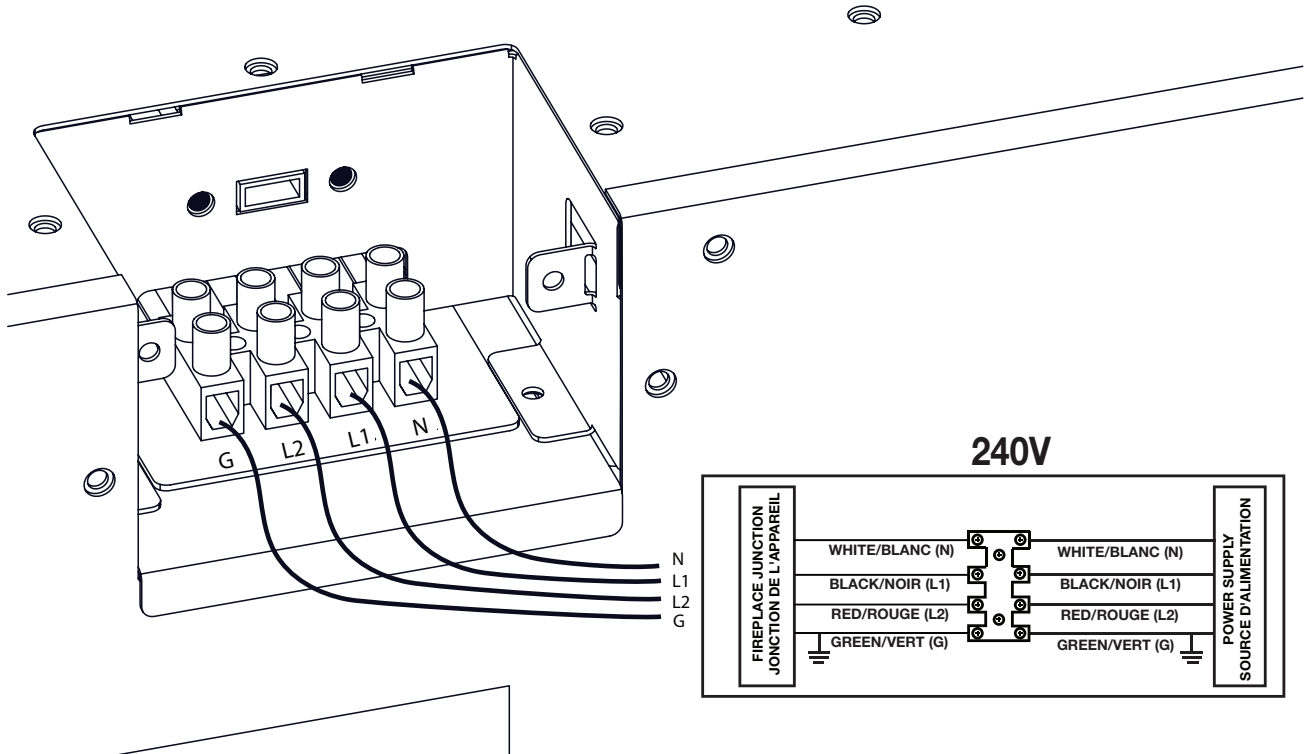
1. Insérez le fil vert ou cuivre nu dans la borne G désignée. Serrez la vis.
2. Insérez le fil neutre dans la borne N désignée. Serrez la vis.
3. Insérez le fil L1 dans la borne L1 désignée. Serrez la vis.

note:

Si vous installez l'option du contrôleur mural, branchez la connexion du faisceau de fils sur le connecteur à 4 broches situé au-dessus du bornier de câblage fixe.

4. Assurez-vous que toutes les connexions sont bien serrées.
5. Réinstallez la plaque de couverture du boîtier de jonction.

3.3 câblage dur 240V



1. Insérez le fil vert ou cuivre nu dans la borne G désignée. Serrez la vis.
2. Insérez le fil neutre dans la borne N désignée. Serrez la vis.
3. Insérez le fil L1 dans la borne L1 désignée. Serrez la vis.
4. Insérez le fil L2 dans la borne L2 désignée. Serrez la vis. Make sure all connections are tightened properly

note:

Si vous installez le contrôleur mural en option, branchez le connecteur du faisceau de fils sur le connecteur à 4 broches situé au-dessus du bornier de câblage électrique.

5. Assurez-vous que toutes les connexions sont bien serrées.
6. Réinstallez la plaque de couverture du boîtier de jonction.

3.4 installation du contrôleur mural

Le contrôleur mural est conçu avec une plaque de fixation encastrée pour le fixer directement sur le matériau de finition. Il n'est pas nécessaire de le fixer à une cheville.

Faites passer le faisceau de fils du contrôleur mural depuis la boîte de jonction de la cheminée jusqu'à l'emplacement souhaité pour le contrôleur mural. Il se peut que certains matériaux de finition doivent être fixés à l'enceinte pour permettre la fixation du contrôleur mural. Veuillez consulter les instructions d'installation du matériau de finition

4.0 matériel de finition

! AVERTISSEMENT

- Risque d'incendie !
- Ne jamais obstruer l'ouverture frontale de l'appareil.
- Ne pas frapper, claquer ou gratter. Ne pas utiliser l'appareil avec la vitre enlevée ou fissurée.
- Le matériau de façade et/ou de finition ne doit jamais dépasser dans l'ouverture de l'appareil.
- **Ne pas dépasser la bordure de finition.** Installer des matériaux de finition au-delà de la bordure de finition empêchera l'installation et/ou l'ouverture et la fermeture du panneau de verre frontal.
- La poussière de plâtre peut pénétrer dans les roulements du ventilateur, causant des dommages irréparables. Il convient de prendre des précautions pour empêcher la poussière de plâtre de venir en contact avec le ventilateur ou son compartiment. Tout dommage résultant de cette condition n'est pas couvert par la politique de garantie.

4.1 matériel de finition

1. Des matériaux de finition combustibles et non combustibles peuvent être utilisés pour l'installation de ce produit.
2. Le matériau de finition recouvrira l'avant de l'appareil et sera aligné avec la bride de finition du matériau de finition (Fig 6).

4.1.1 zones sécurisées pour les vis

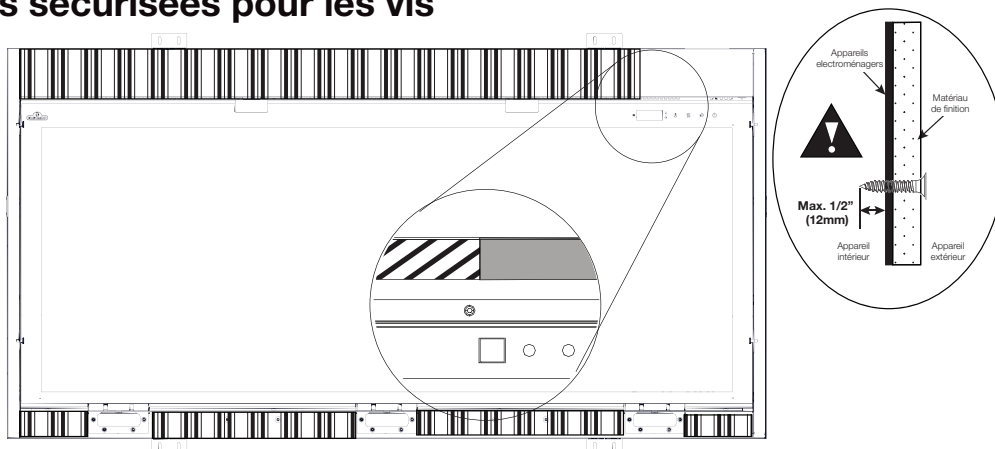
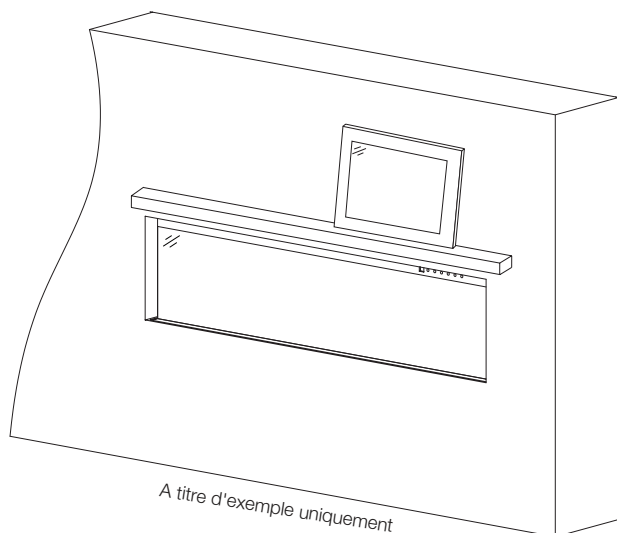


Fig. 6

4.2 installation de matériaux combustibles et non combustibles



Installation de visualisation unilatérale

- L'appareil est entièrement encastré dans le mur.
- Vue frontale **uniquement**.
- Les vues latérales gauche et droite sont couvertes.

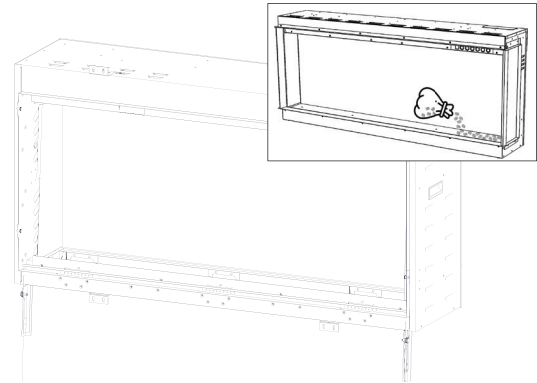
! AVERTISSEMENT

- Le service d'alimentation électrique doit être effectué avant la finition pour éviter toute reconstruction ultérieure.
- Les événements de chaleur et les ouvertures d'air ne doivent en aucun cas être obstrués.

4.3 installation du média

Le verre frontal doit être retiré et l'appareil doit être fixé à son emplacement final avant l'installation des braises de cristal (voir la section "installation et retrait du verre frontal").

Ensemble de bûches de feu de plage et kit de média woodland.



1. Commencez par disposer les 2 types de verre le long du lit de média. Mélangez les 2 couleurs ensemble pour créer un aspect de combustion réaliste une fois que la cheminée est allumée.
2. Placez les bûches dans la position désirée. Des images de référence sont présentées dans la **Fig. 7** comme emplacement recommandé. Cela peut être modifié en fonction de la disposition souhaitée.
3. Placez les roches minérales et les morceaux de charbon autour des bûches en utilisant la disposition recommandée ou l'arrangement préféré.

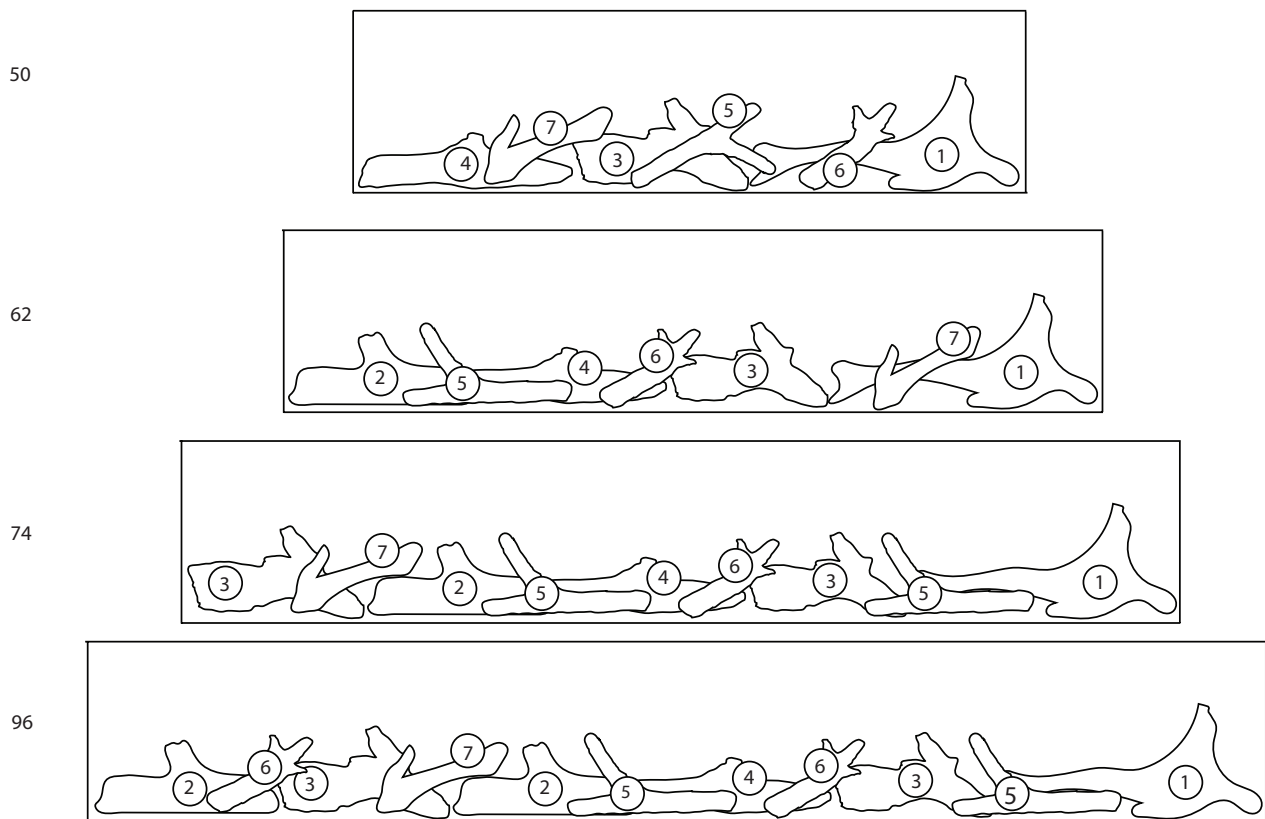


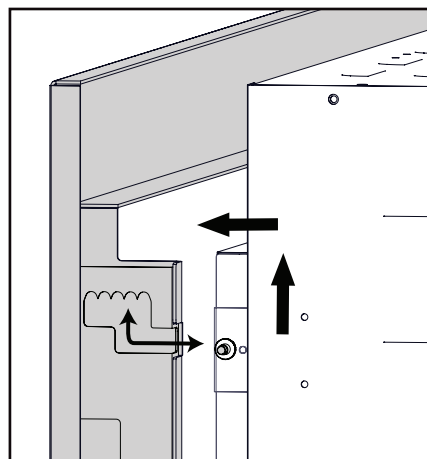
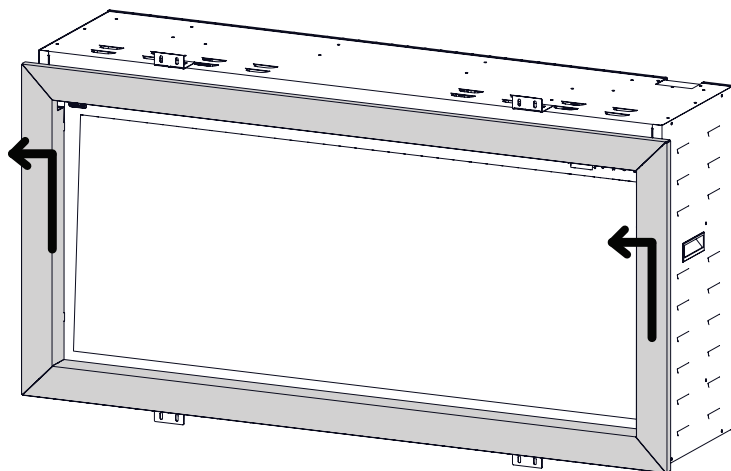
Fig. 7

4.4 pose et dépose de la vitre frontale

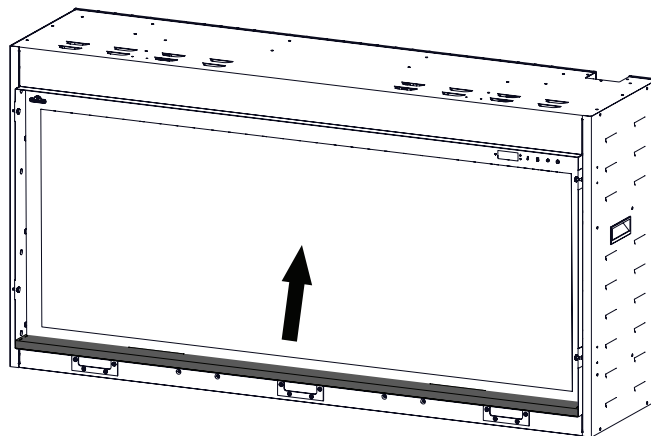
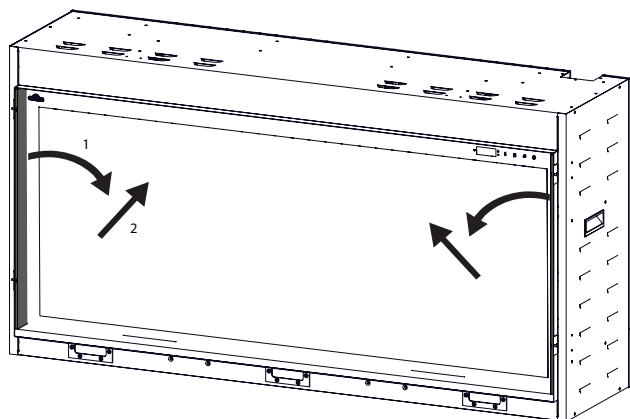
1. Retirez la garniture avant (si installée) en la soulevant vers le haut et en l'éloignant de l'appareil pour la retirer des montants de fixation. Ensuite, retirez les montants de fixation en les dévissant des panneaux latéraux. Ensuite, retirez le panneau de couverture inférieur. Les supports peuvent être déplacés pour s'adapter à différentes épaisseurs de matériau de finition.

⚠ AVERTISSEMENT

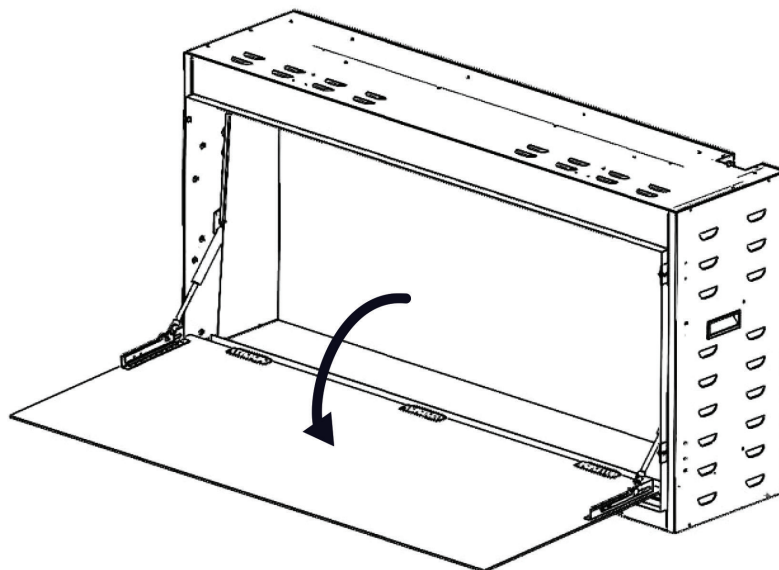
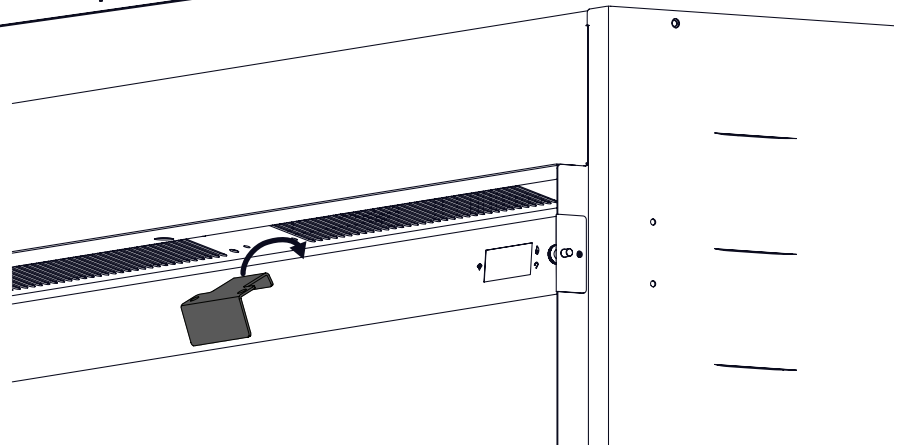
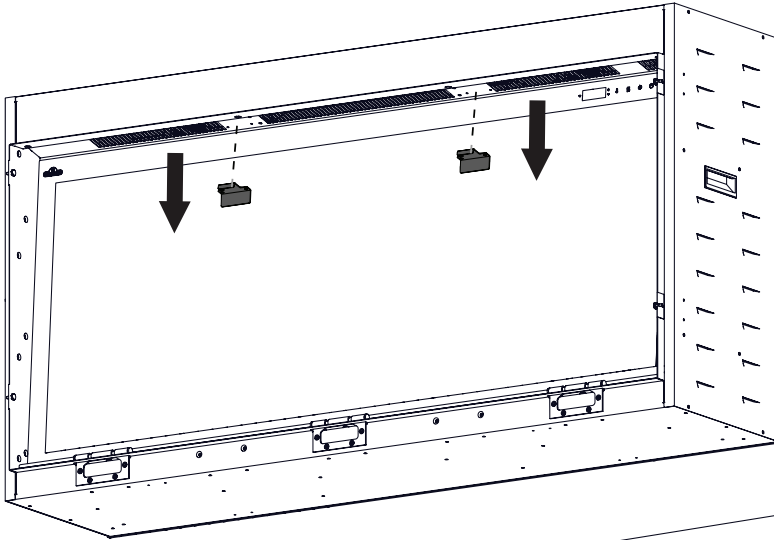
- Avant d'installer ou de retirer le verre frontal, débranchez l'appareil et attendez qu'il refroidisse. Le verre peut être lourd et fragile, donc manipulez-le avec précaution.



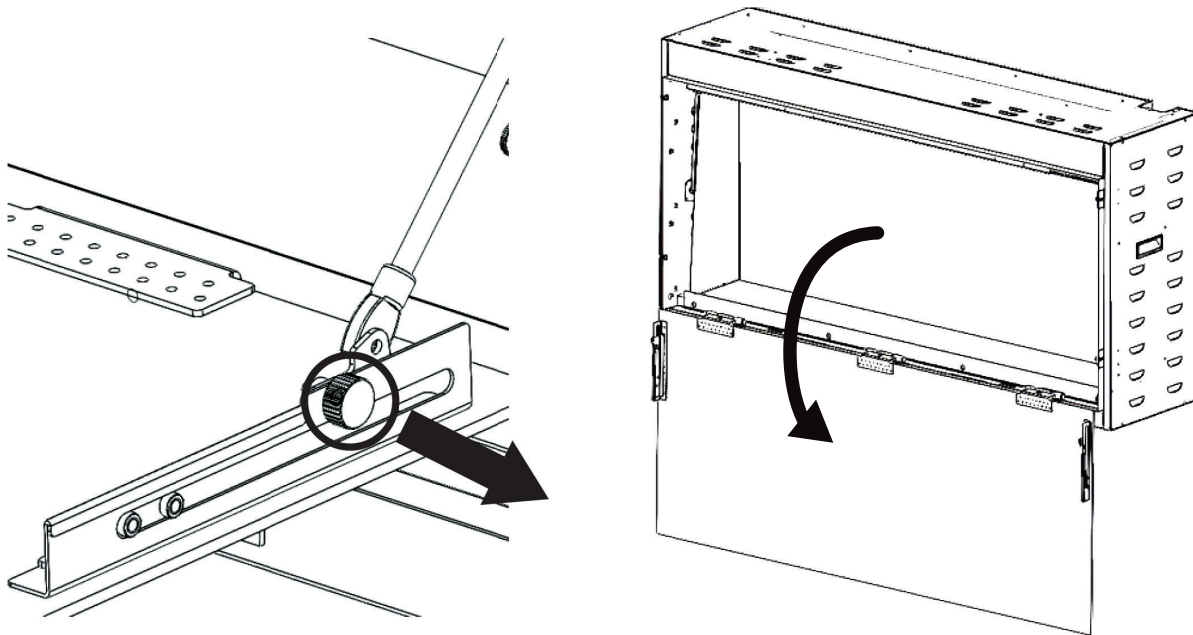
2. Retirez les 2 panneaux latéraux (si installés) en tirant les panneaux loin des côtés de l'appareil près du haut du panneau pour libérer la fixation magnétique. Ensuite, retirez les panneaux des fentes situées sur le panneau de couverture inférieur. Ensuite, retirez le panneau de couverture inférieur.



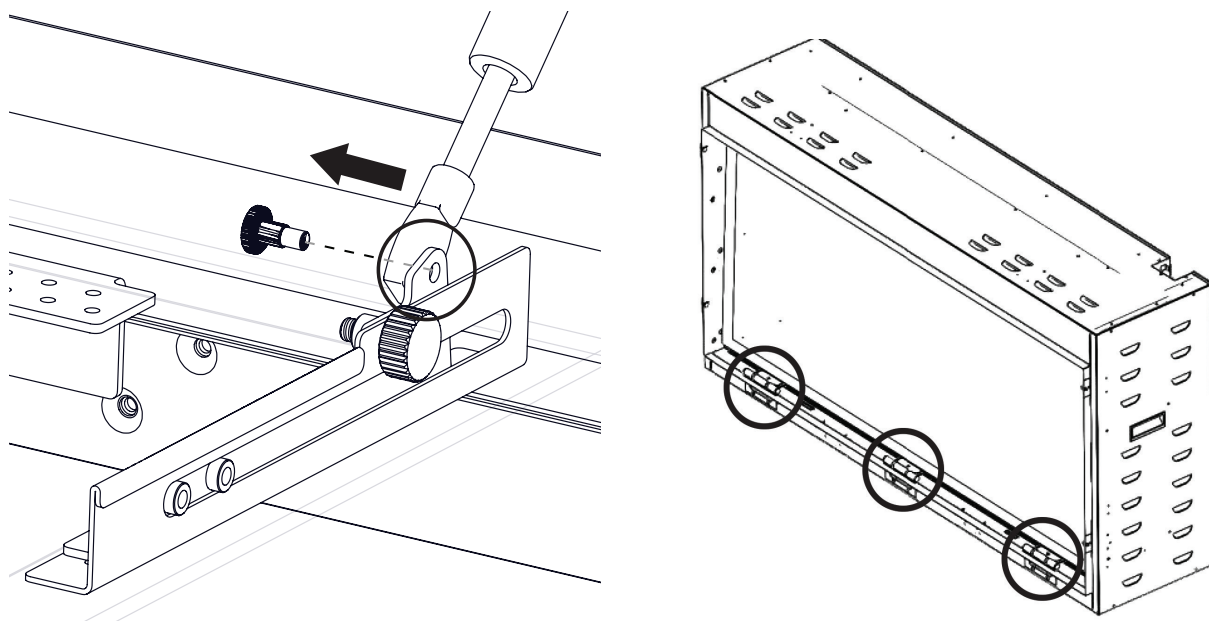
3. Retirez les supports de fixation en haut du verre. Tirez le verre vers l'extérieur en utilisant la ventouse fournie. Alternativement, retournez les fixations de sécurité et accrochez le haut du verre pour le tirer vers l'extérieur.



4. Pour ouvrir complètement le verre et le rabattre pour faciliter l'entretien, commencez par retirer les vis à molette de chaque côté du verre. Cela permettra aux glissières de s'engager. Veuillez noter que lorsque les vis sont retirées, les vérins ne soutiendront plus le verre. Il est donc important de soutenir le verre pendant cette opération. Laissez lentement le verre se rabattre et reposer en toute sécurité.



5. Pour retirer le verre avant, retirez la vis qui maintient la tige du cylindre à la fixation du verre. Note: Les cylindres ne soutiennent plus le verre une fois les vis retirées. Maintenez le verre en le maintenant fermement pendant cette opération. Une fois les vis retirées, soulevez et fermez le verre en position verticale. Retirez les vis qui maintiennent la charnière à la fixation du verre. Une fois les vis retirées, le verre peut être soulevé de l'insert de cheminée et placé sur une surface douce et non abrasive.

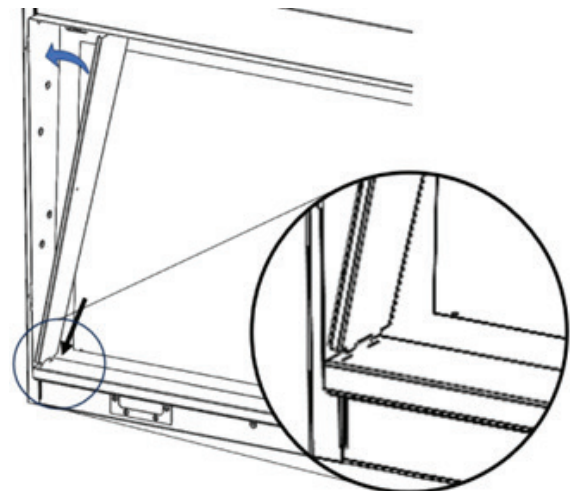
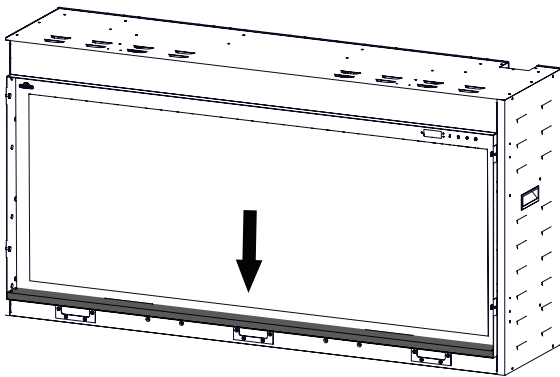


4.5 installation des garnitures

Il existe deux options pour l'installation de la garniture en fonction du matériau de finition et des préférences personnelles pour l'aspect fini. Une installation sans garniture permet au matériau de finition de s'appuyer sur le bord de finition du foyer pour créer une surface exposée minimaliste du foyer. Ou bien la garniture de 2" peut être installée pour cacher le bord brut du matériau de finition et permettre un aspect fini plus important. Les garnitures sont installées après que la vitre a été fixée en position verticale.

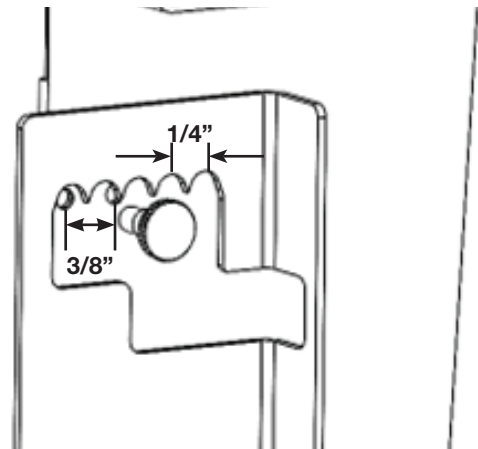
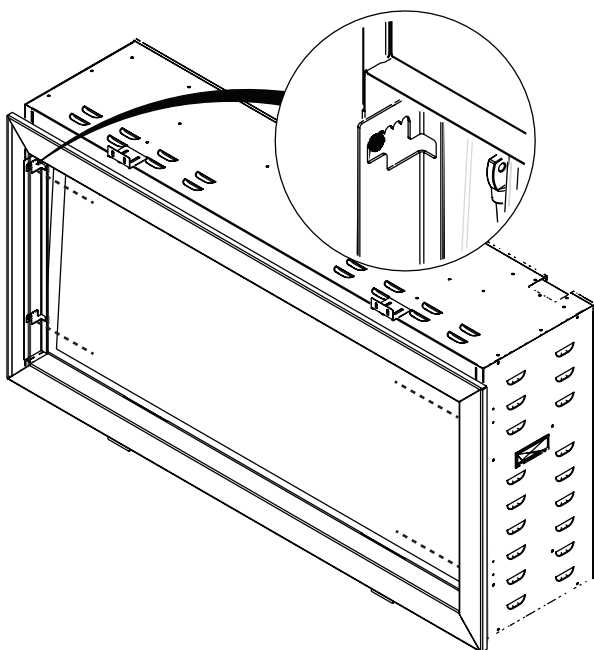
Installation sans garniture

1. Pour une installation sans garniture, placez le couvercle inférieur sur l'emplacement de la charnière en verre, qui sera maintenue en place par des aimants.
2. Identifiez les panneaux latéraux gauche et droit et alignez-les avec les côtés correspondants du foyer. Les panneaux latéraux sont munis de languettes qui s'insèrent dans les fentes du panneau inférieur. Une fois les languettes insérées, poussez le panneau contre le côté de la chambre de combustion, d'où il sera maintenu en place par des aimants.



Installation d'une garniture de 2 pouces

1. Pour l'installation de la garniture de 2", placez le couvercle inférieur sur l'emplacement de la charnière de la vitre, qui sera maintenue en place par des aimants.
2. Installer les 4 vis de la garniture.
3. Accrochez la garniture aux épingles.

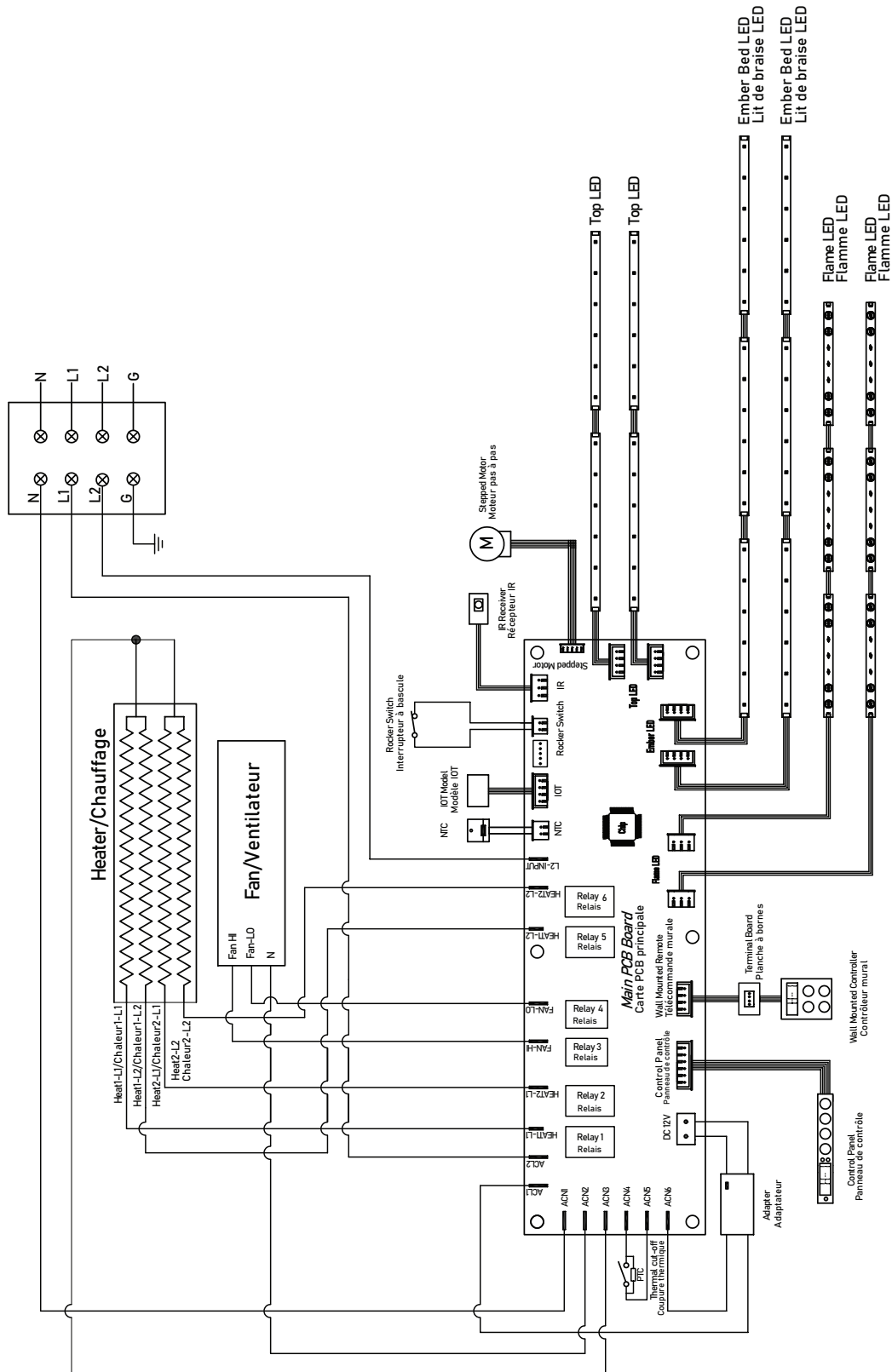


note:

Les panneaux latéraux comportent deux trous pour les goupilles de garniture réglables, espacés de 3/8", et des encoches sur la garniture, espacées de 1/4". Ces encoches permettent d'adapter l'épaisseur du matériau à des incréments de 1/8". Les trous intérieurs permettent une épaisseur de matériau de 1/8" à 1-1/8" et les trous extérieurs permettent une épaisseur de matériau de finition de 1/2" à 1-1/2".

⚠ AVERTISSEMENT

- Éteignez complètement l'appareil et laissez refroidir avant de procéder à l'entretien. Seul un technicien qualifié doit entretenir et réparer cet appareil électrique.



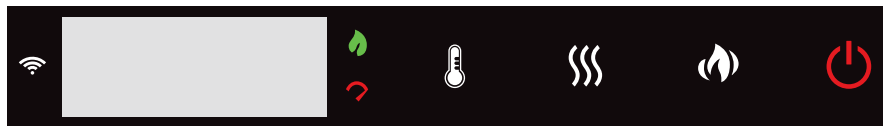
6.0 fonctionnement








Une fois que l'appareil a été connecté électriquement à un circuit mis à la terre et que le disjoncteur est activé, il est prêt à fonctionner.

attention:
Assurez-vous que les disjoncteurs de la maison de l'alimentation sont allumés. En cas de panne de courant, l'appareil perd sa fonction mémoire et se réinitialise en mode d'usine lorsque l'alimentation revient.

6.1 fonctionnement du panneau de contrôle

Le panneau de contrôle est situé dans le coin supérieur droit de l'appareil.



Alimentation		Allumer / éteindre l'appareil.
Température		Contrôlez la température de l'appareil avec 11 réglages. Réglages : 18°C [64°F], 19°C [66°F], 20°C [68°F], 21°C [70°F], 22°C [72°F], 23°C [74°F], 24°C [76°F], 25°C [78°F], 26°C [80°F], 27°C [82°F] et OFF. Remarque : Appuyez et maintenez le bouton pendant 3 secondes pour passer entre °C et °F.
Chauffage		Active ou désactive le chauffage et le ventilateur. Réglages : H-0: Chauffage et ventilateur éteints FAN: Chauffage éteint et ventilateur allumé H-1: Chauffage et ventilateur allumés Remarque : La fonction de contrôle du chauffage peut être activée/désactivée en maintenant le bouton enfoncé pendant 3 secondes. Lorsque la fonction de chauffage est désactivée, «LOC» s'affiche.
Flamme		Allume ou éteint l'effet de flamme. Réglages : F-1: Les flammes orange et jaunes sont allumées, 100 % de luminosité. F-0: Les flammes orange et jaunes sont éteintes. Remarque : Maintenez le bouton enfoncé pendant 8 secondes pour la configuration du wifi.
Indicateur de mode ECO		Indique que l'appareil fonctionne en mode ECO.
Indicateur de mode boost		Indique que l'appareil fonctionne en mode Boost.
Indicateur Wi-Fi		Indique que l'appareil est connecté au réseau sans fil.

fonctionnement

FR

6.2 fonctionnement de la télécommande



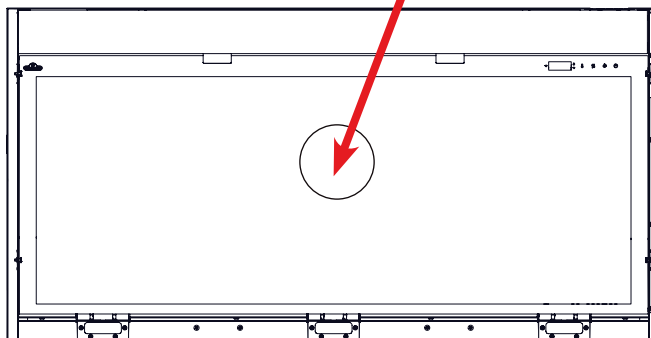
Fonctionnalités:









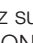



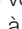


- Alimentation / veille
- Réglage du chauffage : H-0, VENT, H-1
- Mode ECO
- Mode Boost
- Réglage de la température
- Réglage de la couleur des flammes: orange/jaune
- Réglage de la vitesse des flammes
- Réglage de la couleur du lit de braises
- Réglage de la luminosité du lit de braises
- Réglage de la lumière supérieure






Fonctions spéciales :

- Programmation de minuterie 7/24
- Alerte de fenêtre ouverte

Télécommande infrarouge - Pointez la télécommande ici.






Alimentation/ veille		Allumer/éteindre l'appareil.
Chauffage		Allume/éteint le chauffage et le ventilateur. Réglages: H-0 : Chauffage et ventilateur éteints FAN : Chauffage éteint et ventilateur allumé H-1 : Chauffage et ventilateur allumés Remarque : La fonction de contrôle du chauffage peut être activée/désactivée en maintenant le bouton enfoncé pendant 3 secondes. Lorsque la fonction de chauffage est désactivée, «LOC» s'affiche.
Minuterie 7/24		Appuyez sur la touche  pour régler le jour et l'heure actuels. 1. Lorsque «MON» commence à clignoter, utilisez  pour sélectionner le jour actuel. Appuyez sur OK pour terminer le réglage. 2. Lorsque les chiffres des heures commencent à clignoter, utilisez-les  pour sélectionner l'heure actuelle. Appuyez sur OK pour terminer le réglage. 3. Lorsque les chiffres des minutes commencent à clignoter, utilisez  cette touche pour sélectionner les minutes en cours. Appuyez sur OK pour terminer le réglage. Maintenez la touche  enfoncée pour régler l'horaire hebdomadaire. 1. Appuyez sur la touche  et maintenez-la enfoncée pendant 3 secondes. Le logo ON apparaît à l'écran. 2. Lorsque «MON» commence à clignoter, utilisez  pour sélectionner le jour souhaité. Appuyez sur OK pour terminer le réglage. 3. Lorsque «--:--» commence à clignoter, utilisez  pour sélectionner l'heure. Appuyez sur OK pour confirmer. Chaque fois que vous appuyez  sur la touche, 30 minutes sont ajoutées ou réduites. Appuyez  à tout moment pour effacer les chiffres. Laissez l'heure et les minutes dans «--:--» pour ne pas configurer l'horaire. 4. Lorsque «18C» commence à clignoter, utilisez  pour sélectionner la température souhaitée pour activer le chauffage (fonction thermostat activée). Appuyez sur OK pour compléter le réglage. 5. Une fois l'étape 4 terminée,  le logo OFF s'affiche à l'écran. Répétez les étapes 2 et 3 pour définir le jour et l'heure de l'arrêt. 6. Répétez les étapes 1 à 5 pour régler l'heure de mise en marche et d'arrêt tous les jours.

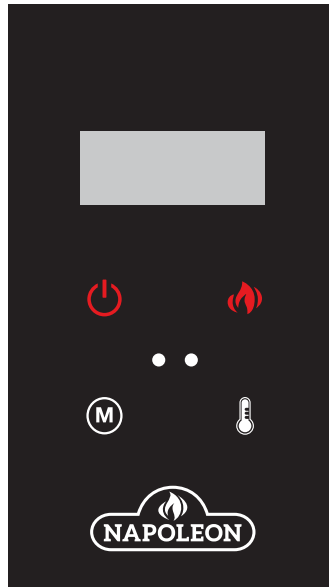
ECO		<p>Maintenez le bouton enfoncé pendant 3 secondes pour allumer/éteindre le chauffage avec une puissance réduite de moitié (mode ECO).</p> <p>Remarque : En mode ECO, l'indicateur ECO s'allume sur le panneau de commande.</p>			
Coup de pouce		<p>Maintenez le bouton enfoncé pendant 3 secondes pour activer/désactiver le mode Boost pendant 30 minutes.</p> <p>Remarque : lorsque l'appareil fonctionne en mode Boost, l'indicateur BST s'allume sur le panneau de commande.</p>			
Thermostat Contrôle		<p>Contrôle la température de l'appareil. Permet \updownarrow de modifier les réglages.</p> <p>Réglages : 18°C [64°F], 19°C [66°F], 20°C [68°F], 21°C [70°F], 22°C [72°F], 23°C [74°F], 24°C [76°F], 25°C [78°F], 26°C [80°F], 27°C [82°F] et OFF.</p> <p>Remarque : Maintenez la touche enfoncée pendant 3 secondes pour passer de °C à °F.</p>			
Flamme		<p>Activer/désactiver l'effet de flamme. Appuyez sur le bouton, l'icône de la flamme 1 sur l'écran ACL commence à clignoter. Utilisez les touches \updownarrow pour modifier la luminosité. Appuyez à nouveau sur le bouton, l'icône de la flamme 2 sur l'écran ACL commence à clignoter. Utilisez les touches \updownarrow pour modifier la luminosité. Appuyez une troisième fois sur le bouton, les icônes de la flamme 1 et de la flamme 2 sur l'écran ACL commencent à clignoter.</p> <table border="1" data-bbox="532 1010 1453 1201"> <tr> <td data-bbox="532 1010 816 1201"> Icône 1 : flamme orange. OF4 (100%) OF3 (75%) OF2 (50%) OF1 (25%) OF0 (0%) </td> <td data-bbox="816 1010 1089 1201"> Icône 2 : Flamme jaune. YF4 (100%) YF3 (75%) YF2 (50%) YF1 (25%) YF0 (0%) </td> <td data-bbox="1089 1010 1453 1201"> Icône 1 + 2 : Les deux flammes. F-1 Les deux flammes allumées. (100%) F-0 Les deux flammes éteintes. (0%) </td> </tr> </table>	Icône 1 : flamme orange. OF4 (100%) OF3 (75%) OF2 (50%) OF1 (25%) OF0 (0%)	Icône 2 : Flamme jaune. YF4 (100%) YF3 (75%) YF2 (50%) YF1 (25%) YF0 (0%)	Icône 1 + 2 : Les deux flammes. F-1 Les deux flammes allumées. (100%) F-0 Les deux flammes éteintes. (0%)
Icône 1 : flamme orange. OF4 (100%) OF3 (75%) OF2 (50%) OF1 (25%) OF0 (0%)	Icône 2 : Flamme jaune. YF4 (100%) YF3 (75%) YF2 (50%) YF1 (25%) YF0 (0%)	Icône 1 + 2 : Les deux flammes. F-1 Les deux flammes allumées. (100%) F-0 Les deux flammes éteintes. (0%)			
Vitesse de flamme		<p>Contrôle de la vitesse de la flamme. Appuyez sur le bouton, l'icône de vitesse de la flamme commencera à clignoter sur l'écran ACL. Permet \updownarrow de modifier les paramètres.</p> <p>Réglages : S-3 (12 RPM) S-2 (10.5 RPM) S-1 (9 RPM) S-5 (15 RPM) S-4 (13.5 RPM) S-3 (12 RPM)</p>			





fonctionnement

FR

<p>Lit Ember Couleur</p>		<p>Contrôlez la couleur du lit de braises. Appuyez sur le bouton, l'icône de couleur du lit de braises commencera à clignoter sur l'affichage ACL. Permet \uparrow de modifier les paramètres.</p> <p>Réglages : L01 L02 ... L13 L-C (Cycle) L01</p>
<p>Lit Ember Luminosité</p>		<p>Contrôlez la luminosité du lit de braises. Appuyez sur le bouton, l'icône de luminosité du lit de braises commence à clignoter sur l'écran ACL. Utilisez cette touche \uparrow pour modifier les réglages.</p> <p>Réglages : B-4 (100%) B-3 (60%) B-2 (40%) B-1 (10%) B-0 B-F (Fondu en entrée et fondu en sortie) B-4</p>
<p>Lumière Supérieure</p>		<p>Contrôler l'éclairage supérieur. Appuyez sur le bouton, l'icône DEL supérieure commence à clignoter sur l'écran ACL. Utiliser \uparrow pour modifier les paramètres.</p> <p>Réglages : D01 D02 ... D13 D-C (Cycle) D00 D01</p>

6.3 commande de montage mural



<p>Alimentation</p>		<p>Allumer / éteindre l'appareil.</p>
<p>Flamme allumée/ éteinte</p>		<p>Allume et éteint la flamme.</p> <p>Réglages : F-1 : Flamme allumée à 100 % de luminosité pour les flammes orange et jaune (réglage par défaut) F-0 : Flamme éteinte</p>
<p>Sélection du mode</p>		<p>Permet de passer d'un mode de fonctionnement à l'autre. Réglage par défaut : H-0</p> <p>Réglage : H-0 : Le chauffage et la soufflerie sont éteints FAN : Le chauffage est éteint et la soufflerie est en marche H-1 : Chauffage et soufflerie en marche ECO : Le chauffage fonctionne en mode économique BST : Le chauffage est en mode amélioré, la soufflerie fonctionne à grande vitesse.</p> <p>Remarque : la fonction de contrôle du chauffage peut être activée/désactivée en maintenant la touche enfoncée pendant 3 secondes. Lorsque la fonction de chauffage est désactivée, «LOC» s'affiche.</p>
<p>Thermostat Contrôle</p>		<p>Appuyez sur ce bouton pour activer le thermostat. Continuez à appuyer sur le même bouton pour augmenter le réglage de la température. Chaque pression augmente la température de 1°C (2°F), à partir du réglage par défaut de 18°C (64°F).</p> <p>Pour désactiver le mode température :</p> <p>Appuyez plusieurs fois sur la touche jusqu'à ce qu'aucune valeur de température ne s'affiche, indiquant «OFF». Le réglage de la température revient à la valeur par défaut de 18°C (64°F). Réglage par défaut : 18°C</p> <p>Réglage : 18°C [64°F], 19°C [66°F], 20°C [68°F], 21°C [70°F], 22°C [72°F], 23°C [74°F], 24°C [76°F], 25°C [78°F], 26°C [80°F], 27°C [82°F] et OFF.</p> <p>Remarque : Appuyez sur la touche pendant 5 secondes pour passer de °C à °F.</p>

APPLICATION NAPOLEON HOME



COMMENT ÇA MARCHE?

Accédez à distance à votre appareil en téléchargeant l'application **Napoléon Home** depuis votre boutique d'applications.

Pour accéder à l'application, vous devrez créer un compte en suivant les instructions indiquées dans l'application (voir ci-dessous pour plus de détails).

En associant votre appareil à l'application **Napoléon Home** via WiFi, vous contrôlez tous les modes et fonctions de l'appareil.

Toutes les notifications et alarmes sont envoyées par l'intermédiaire de l'application pour vous permettre de rester connecté en toute simplicité.



Scannez ce code QR pour accéder directement au site Web de l'application **Napoléon Home**.

COMMENÇONS

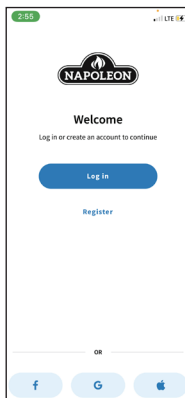
1 TÉLÉCHARGEZ



Téléchargez l'application **Napoléon Home** depuis votre boutique d'applications (Google Play ou Apple App Store).

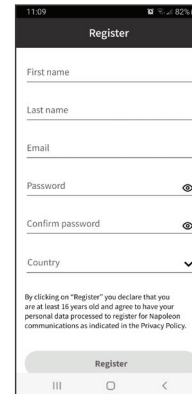
Note: Cela nécessite Android 7.0 ou iOS 13.0.

2 ENREGISTREZ



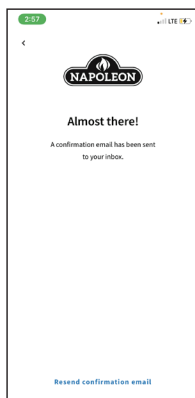
Enregistrez un compte avec l'application **Napoléon Home** OU connectez-vous en utilisant les informations de votre compte Facebook, Google ou Apple.

3 CRÉEZ



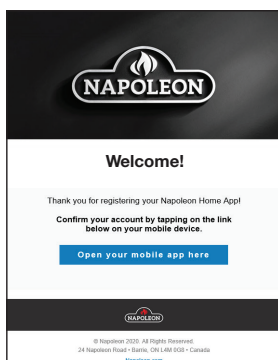
Entrez les informations de l'utilisateur et créez un mot de passe pour le compte. Sélectionnez le pays dans lequel se trouve l'appareil.

4 PRESQUE LÀ



Les informations saisies à l'étape 3 seront enregistrées dans l'application **Napoléon Home** et une confirmation sera envoyée à l'adresse e-mail fournie.

5 CONFIRMEZ



Ouvrez la boîte de réception et sélectionnez le lien de validation.

Note: Le lien de confirmation doit être ouvert sur l'appareil sur lequel l'application **Napoléon Home** est installée.

6 RÉCONFIRMEZ



Si aucun e-mail n'est trouvé, cliquez sur « Renvoyer le lien de confirmation » et vérifiez le dossier de courrier indésirable.

7.1 connexion à l'application

1. Assurez-vous que l'appareil est branché et allumé (**Fig. 1**).
2. Appuyez sur le bouton de contrôle de l'éclairage de la flamme sur le panneau de commande de l'appareil et maintenez-le enfoncé pendant 10 secondes (**Fig. 2**).

note:

L'appareil fait clignoter la couleur verte du lit de braises.



Fig. 1

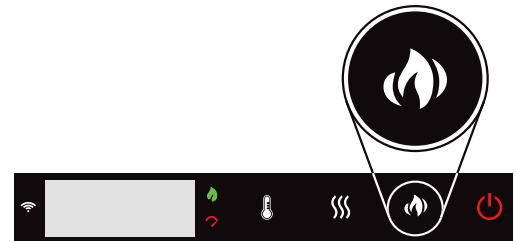


Fig. 2

3. Sélectionnez "Ajouter un appareil" et acceptez les autorisations (**Fig. 3 & 4**).

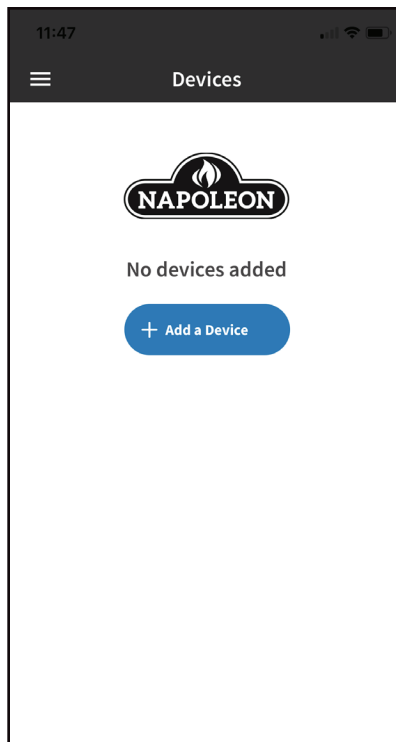


Fig. 3

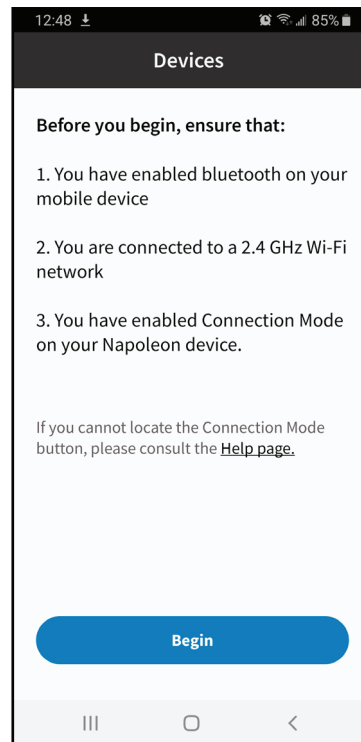


Fig. 4

connexions napoléon

FR

4. Rechercher des appareils et sélectionner l'appareil dans la liste (Fig. 5 & 6).



Fig. 5

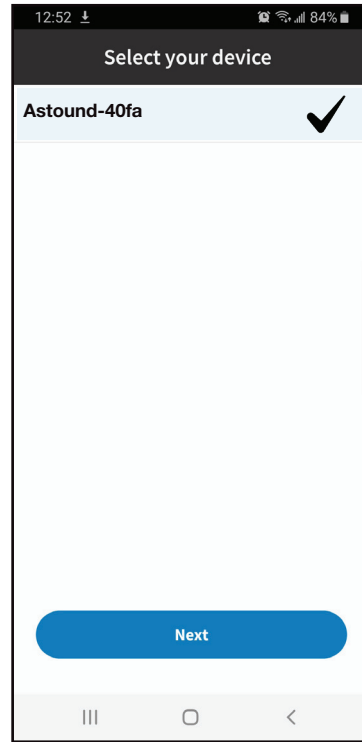


Fig. 6

5. Sélectionnez le wifi souhaité et connectez-vous en entrant le mot de passe wifi de votre domicile.(Fig. 7 & 8).

6. Une fois l'appareil connecté au point d'accès, il est possible de lui donner un surnom afin de le rendre plus reconnaissable. (Fig. 9).

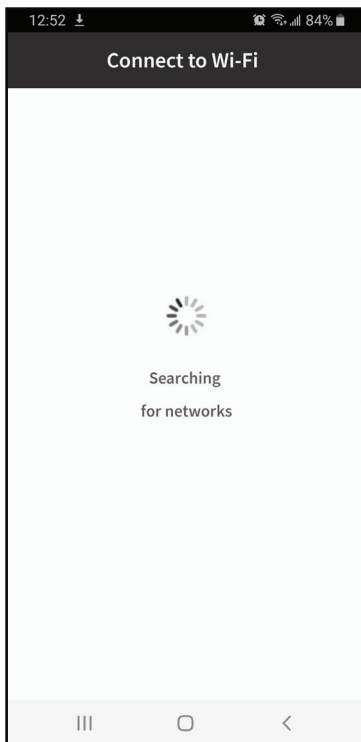


Fig. 7



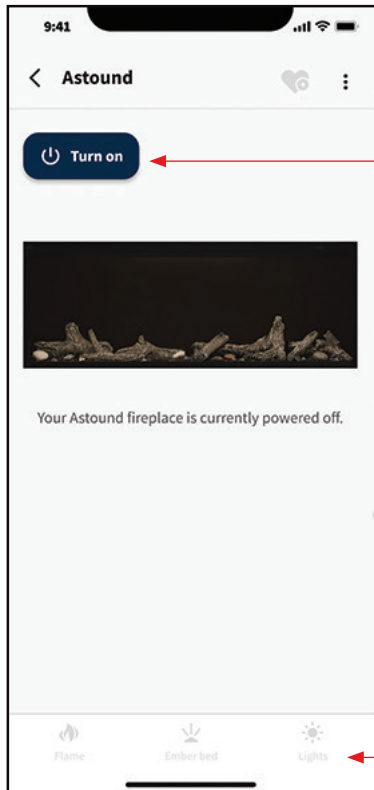
Fig. 8



Fig. 9

7.2 utiliser l'application

7.2.1 réglage de la puissance

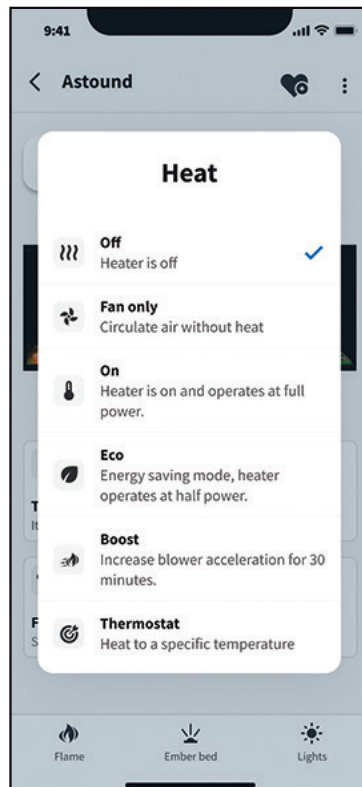
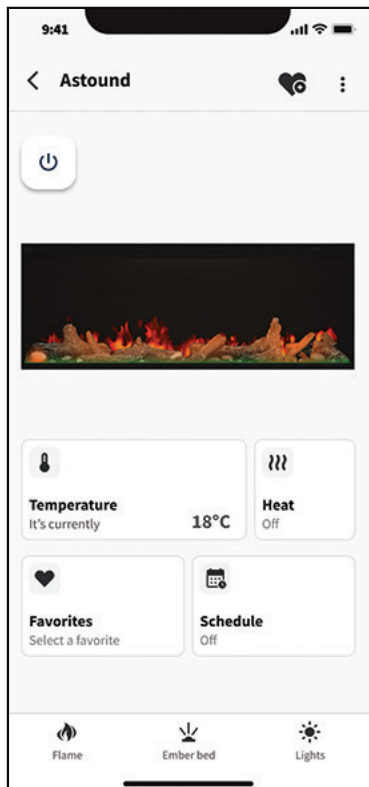


Réglage de la puissance

Appuyez sur cette touche pour allumer et éteindre l'appareil.

Les paramètres de luminosité ne sont pas accessibles sur cette page d'accueil lorsque l'appareil est éteint. Lorsque l'appareil est allumé, naviguez vers les onglets du bas pour modifier les réglages d'affichage de la cheminée.

7.2.2 réglage de la chaleur



Réglage de la chaleur:

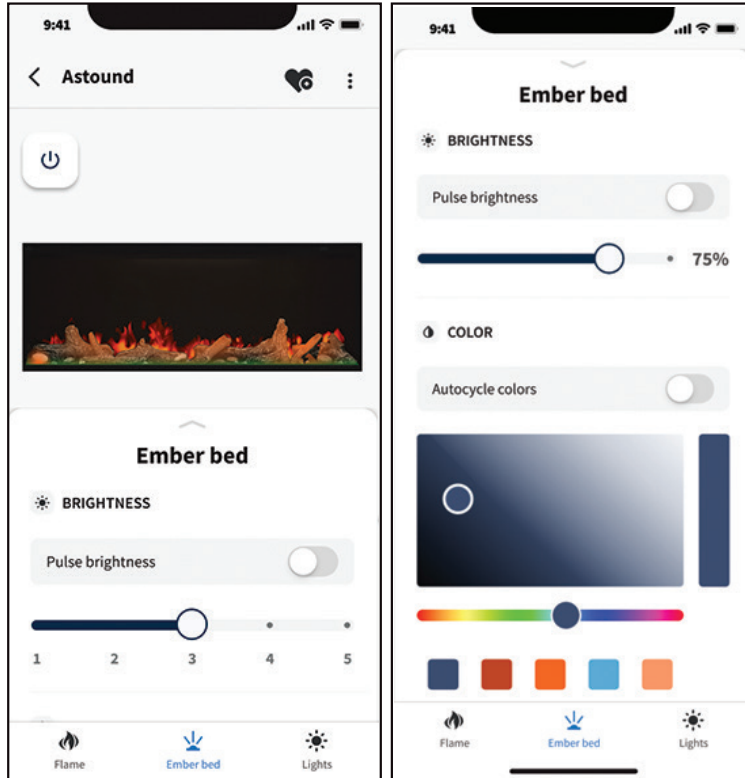
Le réglage de la chaleur peut être sélectionné via l'onglet de chaleur sur la page d'accueil de l'appareil. La température ambiante actuelle est affichée sur l'onglet de température et mise à jour pour refléter la température cible lorsque le mode thermostat est sélectionné.

Éteinte	Pas de chaleur.
Ventilateur uniquement	Ne met en marche que le ventilateur pour faire circuler l'air sans le chauffer.
Sur	Le chauffage est allumé et fonctionne à pleine puissance.
ECO	Mode économie d'énergie, le chauffage fonctionne à mi-puissance.
Boost	Augmenter l'accélération de la soufflerie pendant 30 minutes, le chauffage fonctionnant à pleine puissance.
Thermostat	Le chauffage s'allume et s'éteint automatiquement pour réguler la température de la pièce à la température de consigne souhaitée.

connexions napoléon

FR

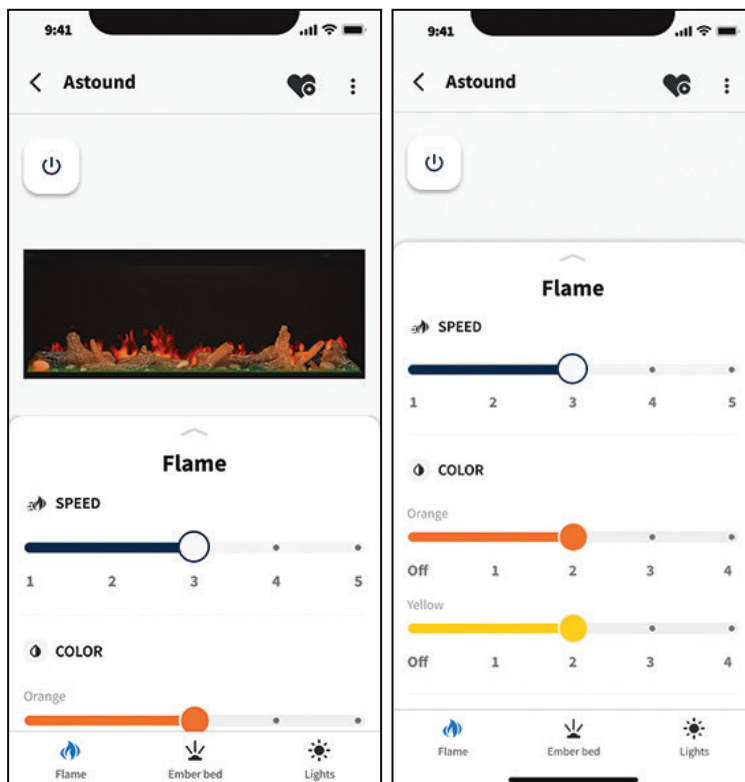
7.2.3 réglage du lit de braises



Réglage du lit de braises:

Sélectionnez les couleurs préférées de la couche de braises et les réglages de luminosité à partir de la liste dans l'onglet de la couche de braises, ou activez la fonction de changement automatique ou de pulsation de luminosité pour parcourir toutes les couleurs disponibles.

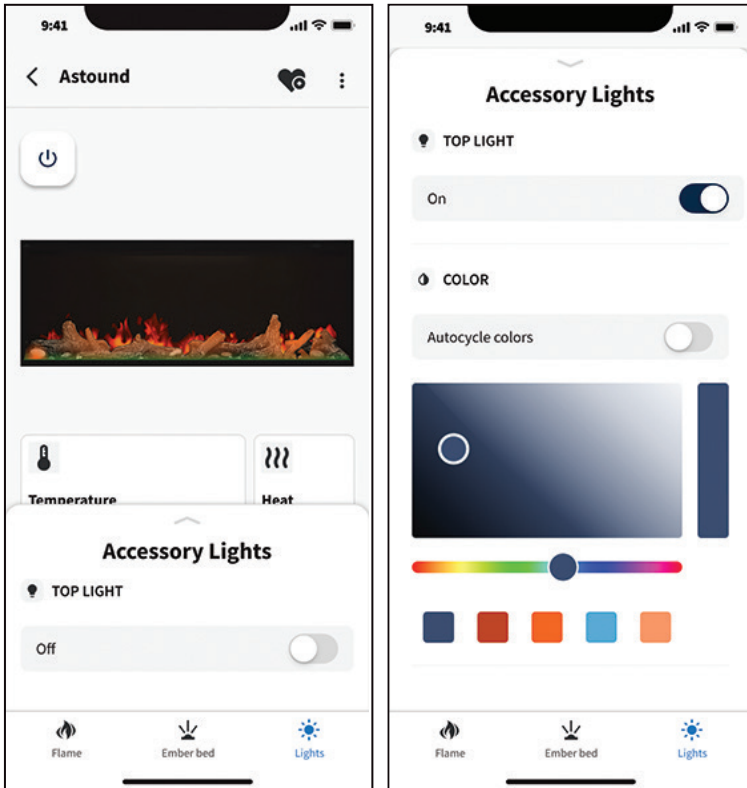
7.2.4 réglage de la flamme



Réglage de la flamme:

Contrôlez l'affichage des différentes couleurs de flammes en ajustant le curseur pour chaque couleur de flamme. La vitesse des flammes peut également être réglée sur cette page.

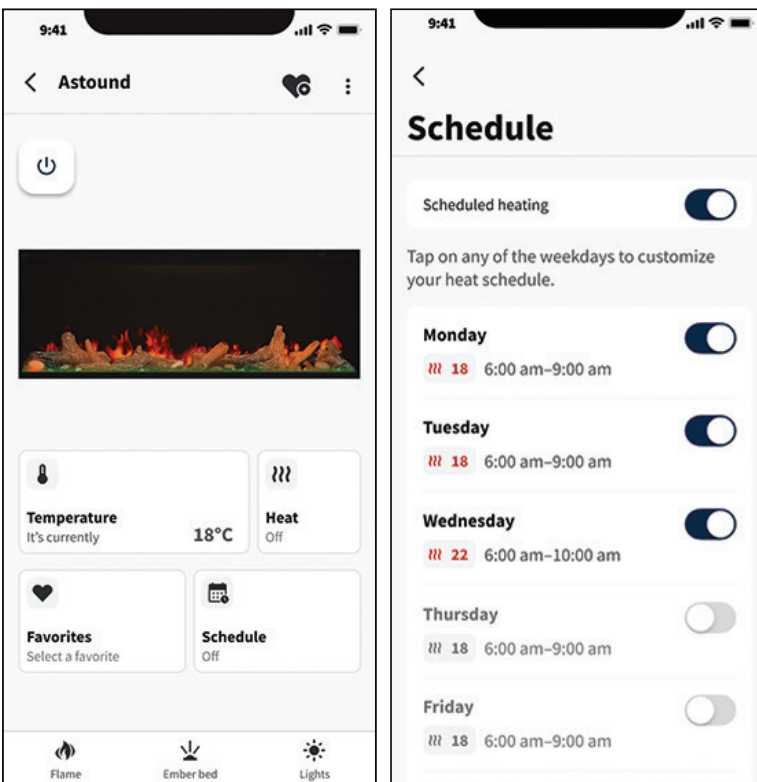
7.2.5 réglages des lumières accessoires



Réglages des lumières accessoires:

La luminosité de l’affichage météo peut être contrôlée dans l’application, soit sur la page d’accueil lorsque l’appareil est éteint, soit dans l’onglet “Lumières”. La lumière latérale est également contrôlée à partir de l’onglet “Lumières”. La sélection de la chaleur de l’ampoule et la luminosité peuvent être modifiées dans cette section.

7.2.6 réglages de la minuterie



Réglages de la minuterie:

La fonction de minuterie peut être accessible sur la page principale. Sélectionnez parmi la liste des temps prédéfinis pour régler une minuterie qui éteindra l’appareil une fois le compte à rebours terminé.

8.1 nettoyage

AVERTISSEMENT

- Toujours désactivez le chauffage et débranchez le cordon d'alimentation de nettoyage, d'entretien, ou de délocalisation. Le non-respect de cette précaution peut resulter en choc électrique, incendie, ou dommages corporels.
- Ne jamais immergez dans l'eau ou vaporisez avec de l'eau. Cela pourrait entraîner dans choc électrique, feu, ou dommages corporels.

Métal:

- Polissez à l'aide d'un chiffon doux et humidifié un peu avec un produit à base d'huile d'agrumes.
- N'utilisez pas du polissage de laiton ou des nettoyeurs ménagers parce-que ces produits endommageront la garniture en métal.

Verre:

- Utilisez un nettoyeur de bon qualité sur un chiffon ou serviette. Essuyez à fond avec un serviette en papier ou un chiffon non pelucheux.
- Ne jamais utilisez les nettoyeurs abrasifs, les sprays liquides, ou tout nettoyeur qui peut gratter la surface.

Évents:

- Utilisez un aspirateur ou chiffon d'enlever la poussière et la saleté du chauffage et les zones d'évents.

Plastique:

- Essayez doucement avec un chiffon humidifié et une mélange doux de porte-savon et de l'eau chaud.
- Ne jamais utilisez les nettoyeurs abrasifs, les sprays liquides, ou tout nettoyeur qui peut gratter la surface.



Les piles doivent être mises au rebut conformément aux lois et à la réglementation locales. Certaines piles peuvent être recyclées et acceptées dans votre centre de recyclage local. Renseignez-vous auprès de votre municipalité au sujet des directives de recyclage.

8.2 interrupteur de verrouillage du chauffage

Ce foyer est équipé d'un interrupteur qui peut être actionné pour verrouiller physiquement le fonctionnement de l'appareil. Cet interrupteur est situé au-dessus de l'écran tactile afin de fournir des mesures supplémentaires pour verrouiller le fonctionnement de l'appareil.

9.0 pièces de rechange

AVERTISSEMENT

- Omettre de positionner les pièces conformément à ce manuel ou d'utiliser uniquement des pièces spécifiquement approuvées pour cet appareil peut causer des dommages matériels ou des blessures corporelles.

Contactez votre détaillant pour les questions concernant les prix et la disponibilité des pièces de remplacement. Normalement, toutes les pièces peuvent être commandées chez votre détaillant autorisé.

Pour un remplacement de pièce sous garantie, une photocopie de la facture originale sera requise afin de pouvoir honorer la demande.

- Lorsque vous commandez des pièces, donnez toujours l'information suivante:
- Modèle et numéro de série de l'appareil
- Date d'installation de l'appareil
- Numéro de la pièce
- Description de la pièce
- Fini

Pièces, numéro des pièces et s'il soit disponible peut changer sans préavis.

Parties identifiées comme garnie seront livrés dans 2 à 5 jours pour la plupart des destinations de livraison.

Pièces non identifiées que stockés seront livrés dans un délai de 2 à 4 semaines pour la plupart des cas.

Pièces identifiées comme « SO » sont commande spéciale et peuvent prendre jusqu'à 90 jours pour la livraison.

9.0.1 accessoires en option

Description	NEFB50AB	NEFB62AB	NEFB74AB	NEFB96AB
Assemblage du contrôleur mural	W190-0255			
Kit cristal noir	(3) G497-0004 (2) G497-0006	(2) G497-0004 (1) G497-0005 (2) G497-0007	(3) G497-0005 (3) G497-0006	(5) G497-0004 (3) G497-0007
Kit de bûches de bouleau	BLKS	BLKM	BLKL	BLKXL
Kit de roche minérale	MRKS	MRKM	MRKL	MRKXL
Perles de verre MKBK - Black MKBC - Clear MKBB - Blue MKBT - Topaz MKBA - Amber	(x3) MKBK - Black MKBC - Clear MKBB - Blue MKBT - Topaz MKBA - Amber	(x5) MKBK - Black MKBC - Clear MKBB - Blue MKBT - Topaz MKBA - Amber	(x6) MKBK - Black MKBC - Clear MKBB - Blue MKBT - Topaz MKBA - Amber	(x8) MKBK - Black MKBC - Clear MKBB - Blue MKBT - Topaz MKBA - Amber

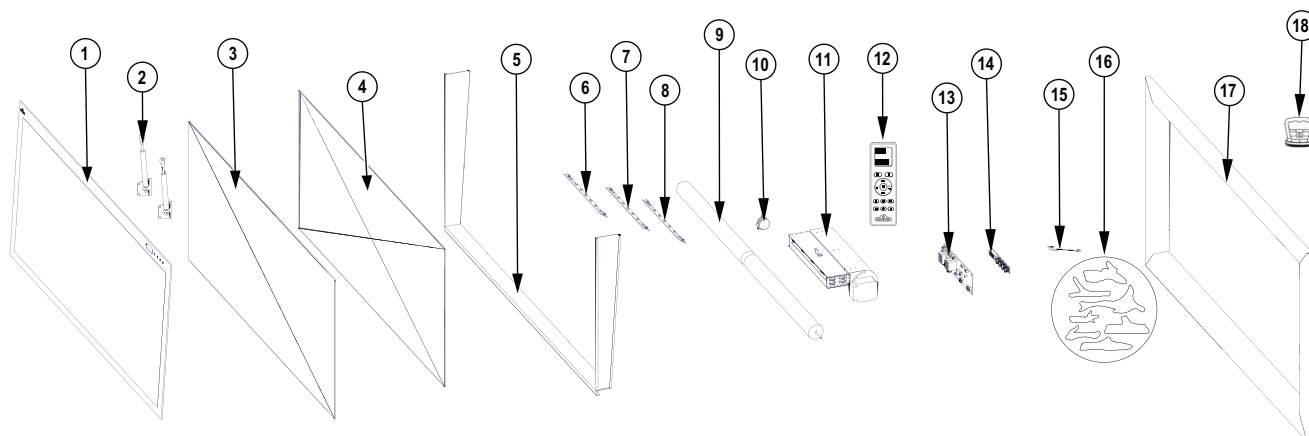
pièces de rechange

FR

9.1 NEFB50/62/74/96AB

note:

Des précautions doivent être prises lors de l'élimination et de l'élimination de tout verre brisé ou de composants endommagés. Assurez-vous d'aspirer tout verre brisé de l'intérieur de l'appareil avant l'opération.



Les articles peuvent différer de ceux illustrés.

N° de Réf.	Description					En Stock
		NEFB50AB	NEFB62AB	NEFB74AB	NEFB96AB	
1	Verre Avant	W300-0424	W300-0425	W300-0426	W300-0427	Oui
2	Kit d'amortisseurs pneumatiques	W370-0295		W370-0296		Oui
3	Verre trempé	W300-0429	W300-0430	W300-0431	W300-0432	Oui
4	Panneau plastique à projection de flammes	W565-0535	W565-0536	W565-0537	W565-0538	Oui
5	Kit sans garniture	W370-0298	W370-0299	W370-0300	W370-0301	Oui
6	Lampe DEL à flamme	W405-0106				Oui
7	Lampe de lit Ember	W405-0048, W405-0048				Oui
8	Lumière DEL supérieure	W405-0047, W405-0048				Oui
9	Broche du réflecteur	W010-6208	W010-6209	W010-6210	W010-6211	Oui
10	Moteur de rôtisserie	W435-0132				Oui
11	Assemblage de Chauffage et Ventilateur	W010-6206				Oui
12	Télécommande	W190-0252				Oui
13	Carte de circuit principal	W190-0253				Oui
14	Panneau de commande (sans récepteur à distance)	W190-0254				Oui
15	Thermostat	W690-0029				Oui
16	kit de bûches	GL-716	GL-717	GL-718	GL-719	Oui
17	1PC garniture	W715-1314	W715-1315	W715-1316	W715-1317	Oui
18	Disque d'aspiration	W220-0001				Oui
19*	Kits médias	W370-0304	W370-0305	W370-0306	W370-0307	Oui
20*	Kit de quincaillerie	W370-0302				Oui
21*	Goupille réglable	W485-0077				Oui

* Parties non illustrés.

AVERTISSEMENT

- Coupez l'alimentation électrique à l'appareil et laissez-le refroidir avant d'effectuer un entretien. Seulement un technicien de service qualifié peut effectuer l'entretien ou la réparation de cet appareil électrique.

symptôme	problème	solution
L'appareil ne s'allume pas lorsque l'interrupteur est mis à « on ».	L'appareil n'est pas branché dans une prise de courant.	Vérifiez la prise, et branchez dans l'appareil si nécessaire.
	Branchement par câble sont incorrectes.	Voir la section « branchement par câble ».
	L'appareil a surchauffé et le dispositif de sécurité a entraîné le déclenchement de l'interrupteur thermique.	Débranchez l'appareil et le disjoncteur, laissez-le refroidir pendant 15 minutes, puis branchez l'appareil ou allumez le disjoncteur.
	Issue avec le panneau PCB principal.	Inspectez la carte de circuit imprimé et remplacez-le si nécessaire.
L'appareil s'éteint et ne se rallume pas.	Le disjoncteur de la maison s'est déclenché.	Réinitialisez le disjoncteur.
	Le fusible de l'appareil a éteint.	Remplacez le fusible.
	L'appareil a surchauffé et le dispositif de sécurité a entraîné le déclenchement de l'interrupteur thermique.	Débranchez l'appareil et le disjoncteur, laissez-le refroidir pendant 15 minutes, puis branchez l'appareil ou allumez le disjoncteur.
L'appareil est revenue à les paramètres par défaut.	Panne de courant.	Reprogramme l'appareil au paramètres d'origine (pas applicable avec tous les appareils).
La télécommande ne fonctionne pas.	Les piles sont faibles.	Remplacez les piles de la télécommande.
	Dysfonctionnement du récepteur à distance.	Assurez-vous que le récepteur à distance n'est pas bloqué. Remplacez le panneau.
L'appareil n'émet aucune chaleur.	Réglage du chauffage n'est pas sélectionné.	Voir la section « fonctionnement ».
	Le chauffage a été verrouillé.	Voir la section « fonctionnement ».
	La température ambiante est plus élevée que le réglage de l'appareil (si réglée au température de la chambre).	Réinitialisez le réglage pour la température.
	L'appareil a surchauffé et le dispositif de sécurité a entraîné le déclenchement de l'interrupteur thermique.	Débranchez l'alimentation ou éteignez le disjoncteur. Laissez l'appareil refroidir pendant 15 minutes.
	Branchement par câble sont incorrectes.	Voir la section « branchement par câble ».
	Problème avec le chauffage.	Inspectez la soufflerie and le chauffage, et les remplacez si nécessaire.
La chauffage s'éteint automatiquement.	La salle est trop chaude.	L'appareil est équipé d'un thermostat intégré et s'éteindra automatiquement lorsque la température programmée sera atteinte. Il s'allumera automatiquement lorsque la température de la pièce descendra en dessous de la température programmée.

symptom	problem	solution
Flamme faible ou inexistante	Éclat de flamme n'est pas sélectionné.	Voir la section « fonctionnement ».
	Problème avec les flamme DELs.	Vérifiez les DELs et remplacez-les si nécessaire.
	Problème avec le panneau PCB principal.	Vérifiez le panneau PCB principal et remplacez-le si nécessaire.
La flamme ne bouge pas.	Le moteur est calé / ne fonctionne pas	Cycle de marche / arrêt. Si le problème persiste, consultez votre détaillant.
Le lit de braises s'aillumine pas ou ne diminue pas en luminosité.	Luminosité n'est pas sélectionné.	Voir la section « fonctionnement ».
	Problème avec les DEL de braises.	Vérifiez les DEL de braises et remplacez-les si nécessaire.
	Problème avec le panneau PCB principal.	Vérifiez la panneau PCB principal et remplacez-le si nécessaire.
DEL clignote « OH ».	L'appareil a surchauffé et le dispositif de sécurité a entraîné le déclenchement de l'interrupteur thermique.	Débranchez l'appareil et le disjoncteur, laissez-le refroidir pendant 15 minutes, puis branchez l'appareil ou allumez le disjoncteur. Si le problème persiste, consultez votre détaillant.
DEL clignote « E1 ».	Code d'erreur pour le capteur de température	Consulter le revendeur local.
		Inspecter / remplacer le capteur de température.
DEL clignote « E2 ».	Code d'erreur pour le ventilateur	Consulter le revendeur local.
		Inspecter le faisceau de câbles / remplacer l'ensemble soufflerie et chauffage.
DEL clignote « E3 ».	Code d'erreur pour le chauffage	Consulter le revendeur local.
		Inspecter le faisceau de câbles / remplacer l'ensemble soufflerie et chauffage.

11.0 warranty

Les appareils électriques **Napoléon** sont fabriqués conformément aux normes strictes du Système de Gestion de la Qualité mondialement reconnu ISO 9001 : 2015.

Les produits **Napoléon** sont conçus avec des composants et des matériaux de qualité supérieure, assemblés par des artisans qualifiés qui sont fiers de leur travail. Une fois assemblé, chaque appareil est soigneusement inspecté par un technicien, une agence de service, ou un distributeur qualifié(e) ou autorisé(e) avant d'être emballé pour garantir que vous, le client, recevez le produit de qualité dont vous vous attendez de **Napoléon**.

Garantie Prime Des Appareils Électriques Napoléon

Les composants électriques et les pièces soumises à l'usure sont couverts et **Napoléon** fournira gratuitement les pièces de rechange durant les première 2 années de la garantie prime. Ceci couvre: le ventilateur/l'appareil de chauffage, les moteurs, les interrupteurs, les roulements à billes en nylon, les télécommandes et les lumières de DEL.

Les ampoules et fusibles **NE SONT PAS** couvert par le garantie.

Dans la première année seulement, les coûts de main-d'oeuvre relatifs aux réparations garanties sont couverts.

* La fabrication de chaque modèle varie. La garantie s'applique uniquement aux composants disponibles avec votre appareil spécifique.

Conditions et Limitations

Napoléon garantit ses produits contre les défauts de fabrication à l'acheteur d'origine seulement. L'enregistrement de la garantie n'est pas nécessaire. Fournissez simplement une preuve d'achat ainsi que le modèle et le numéro de série afin d'effectuer une réclamation de garantie. L'achat doit avoir été fait par l'entremise d'un détaillant **Napoléon** autorisé et sous réserve des conditions et limitations suivantes:

La couverture de la garantie débute à partir de la date d'installation originale.

Cette garantie du fabricant n'est pas transférable et ne peut être prolongée par aucun de nos représentants.

L'installation doit être faite conformément aux instructions d'installation incluses avec le produit et à tous les codes d'incendie et de construction locaux et nationaux.

Cette garantie prime ne couvre pas les dommages causés par un mauvais usage, un manque d'entretien, un accident, des altérations, des abus, ou de la négligence, et l'installation de pièces d'autres fabricants annulera cette garantie.

Cette garantie prime ne couvre pas non plus les égratignures, les bossellements, la corrosion, ou la décoloration causée par une chaleur excessive, des produits d'entretien chimiques et abrasifs ou l'écaillage de pièces en porcelaine émaillée, le bris par manipulation des bûches PHAZER^{MD}.

Au cours de les première 2 années seulement, cette garantie s'étend à la réparation ou au remplacement des pièces garanties dont les matériaux ou la fabrication sont défectueux à la condition que le produit ait été utilisé conformément aux instructions de fonctionnement et dans des conditions normales.

Après la première année, **Napoléon** ne sera pas responsable de l'installation, de la main d'œuvre, ou autres coûts ou dépenses relatives à la réinstallation d'une pièce garantie, et de telles dépenses ne sont pas couvertes par cette garantie.

Nonobstant toutes les dispositions contenues dans cette garantie limitée, la responsabilité de **Napoléon** sous cette garantie est définie comme ci-dessus, et elle ne s'étendra à aucun dommage accidentel, consécutif, ou indirect.

Cette garantie définit l'obligation et la responsabilité de **Napoléon** en ce qui concerne l'appareil électrique **Napoléon**.

Toute autre garantie énoncée ou implicite en ce qui concerne ce produit, ses composants ou accessoires est exclue.

Napoléon n'endosse, ni n'autorise aucun tiers à assumer en son nom, toutes autres responsabilités concernant la vente de ce produit.

Tous dommages causés à l'appareil, aux garnitures en laiton ou autres composants par l'eau, les dommages causés par les intempéries, de longues périodes d'humidité, la condensation, des produits chimiques, ou produits d'entretien nuisibles ne seront pas la responsabilité de **Napoléon**.

Napoléon se réserve le droit de demander à son représentant d'inspecter tout produit ou pièce avant d'honorer toute réclamation.

Toutes les pièces remplacées en vertu de la politique de la Garantie Prime ne peuvent faire l'objet que d'une seule réclamation.

Toutes les pièces remplacées au titre de la garantie seront couvertes pour une période de 90 jours à partir de leur date d'installation.

Le fabricant peut exiger que les pièces défectueuses ou les produits soient retournés ou que des photos numériques soient fournies pour valider la réclamation. Les produits retournés doivent être expédiés port payé au fabricant pour une inspection en usine. Si un produit est déclaré défectueux, le fabricant le réparera ou le remplacera.

Avant d'expédier votre appareil ou les pièces défectueuses, votre détaillant doit obtenir un numéro d'autorisation. Toute marchandise expédiée à notre usine sans autorisation sera refusée et retournée à l'expéditeur.

Les coûts d'expédition ne sont pas couverts par cette garantie.

Des frais de service supplémentaires peuvent être appliqués si vous cherchez à obtenir des services au titre de la garantie auprès d'un détaillant.

Toutes les spécifications et les conceptions sont sujettes à modifications sans préavis en raison des améliorations constantes apportées aux produits. **Napoléon** est une marque de commerce déposée de Wolf Steel Ltée.

NAPOLÉON CÉLÈBRE PLUS DE 40 ANS D'EXISTENCE CONSACRÉS À LA CONCEPTION DE PRODUITS DE CONFORT



7200, Route Transcanadienne, Montréal, Québec H4T 1A3
24 Napoleon Road, Barrie, Ontario, Canada L4M 0G8
214 Bayview Drive, Barrie, Ontario, Canada L4N 4Y8
103 Miller Drive, Crittenden, Kentucky, USA 41030
De Riemsdijk 22, 4004 LC Tiel, Pays-Bas

Téléphone : 1-866-820-8686
napoleon.com