

NAPOLEON<sup>®</sup>  
FIREPLACES



High Country™ 7000 shown with fluted decorative brick panel.

**AVAILABLE NOW**



# **HIGH COUNTRY™ 7000**

## **LINEAR WOOD BURNING FIREPLACE**



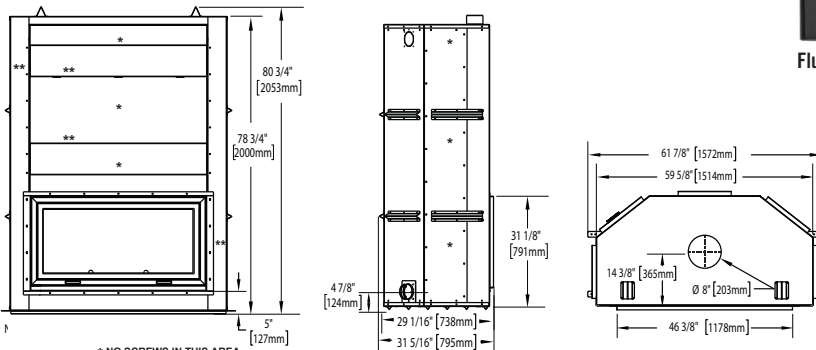
For more information or to place an order call 1-800-461-5581 or visit [napoleonfireplaces.com](http://napoleonfireplaces.com)

# High Country™ 7000

Introducing a new European clean face linear wood fireplace with a huge viewing area. Exclusive counterbalanced ZERO GRAVITY™ door system operates the screen and heat radiating ceramic glass independently, allowing the fire to be viewed through either the glass, screen or both. The large firebox holds up to 50 lbs of wood and is lined with high density vermiculite. Powerful air wash system keeps the glass clean and the super-boost air induction ports sweep across the ember bed for extremely fast start-ups.

## Product Features

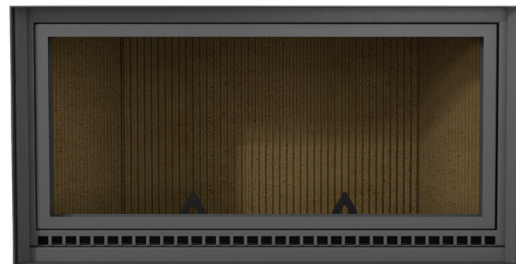
- ONE OF THE CLEANEST WOOD BURNING FIREPLACES IN THE WORLD
- Firebox aerodynamics allow you to open the door without drawing smoke into the room
- ZERO GRAVITY™ glass and screen door operate independently
- ZERO GRAVITY™ glass and screen doors have precision 4 way roller system that has been proven and tested to 50 years of operation.
- Only 3.1 grams per kilogram emissions, qualifies at the Phase 2 Emissions Level for U.S. EPA's Voluntary Fireplace Program
- Flue damper and outside air damper close 100% when not in use to minimize heat loss
- Choice of two different molded refractory brick (1 kit coming soon)
- Steel andirons in charcoal finish standard
- Outside air control lever standard
- Glass swings open for easy cleaning
- Firebox is tapered back to increase heat radiating back into the firebox to maximize efficiency
- Gloves included with unit



## Features/Options/Accessories



Smooth Decorative Brick Panels



Fluted Decorative Brick Panels - COMING SOON

Product Code	BTU'S Heat Output*	BTU's Heat Output (High Burn)**	Firebox Capacity (cu. ft.)	Area Heated (sq. ft.)	Burn Time (Hours)	Log Size (Max)	Emissions (Kilograms Per Hour)	Flue Diameter	Outside Air for Combustion	Central Heating and/or Blower	Glass Size		Weight of Bricks	Weight without Bricks
											Height	Width		
NZ7000	N/A	N/A	7	< 1000	N/A	32"	9	8"	Yes	No	19 1/4"	40 7/8"	300lbs	1050lbs

Figures may vary with individual conditions such as floor plan layout, insulation value of the home and the firewood used  
\*Rated BTU/h with softwood test fuel (for emissions only) - no refueling  
\*\*Wolf Steel Ltd. own test results showing realistic BTU's using hardwood logs with regular refueling. Heat output will differ on chimney draft as well as type, moisture content and size of wood.

Certified under Canadian and American National Standards

Figures may vary with individual conditions such as floor plan layout, insulation value/heat loss of the house and geographical location.

Consult your owner's manual for complete installation instructions, accurate framing dimensions and proper clearances to combustible material. Check all local and national building codes and gas regulations. All specifications are subject to change without prior notice due to on-going product improvements. Products may not be exactly as shown. Napoleon® is a registered trademark of Wolf Steel Ltd. © Wolf Steel Ltd.



24 Napoleon Road, Barrie, Ontario, Canada L4M 0G8  
103 Miller Drive, Crittenden, Kentucky, USA 41030  
7200 Trans Canada Highway, Montreal, Quebec, Canada H4T 1A3  
Tel: 705-721-1212 Fax: 705-722-6031  
napoleonfireplaces.com

Authorized Dealer

