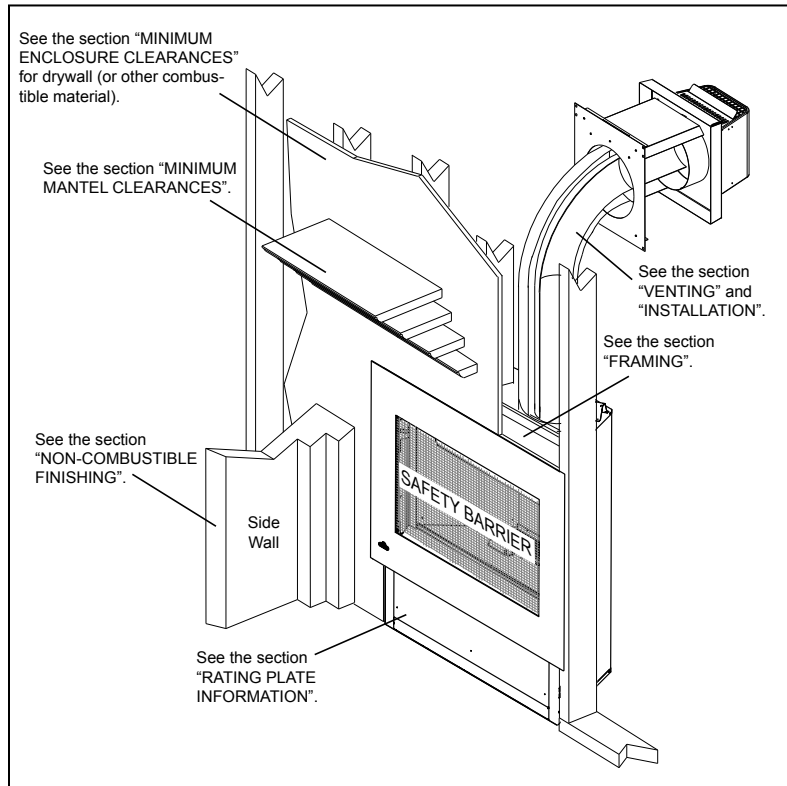


ASCENT™ LINEAR 36 DIRECT VENT GAS FIREPLACE

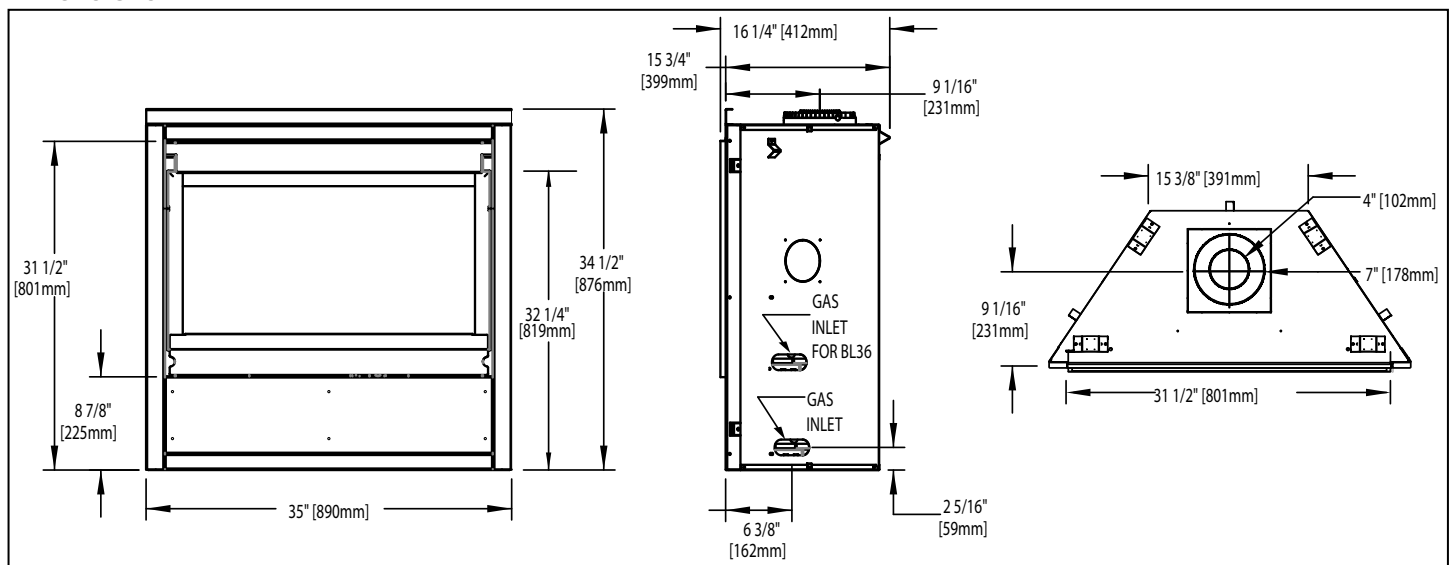
Specifications

Model	BTU	Width		Height		Depth		Glass
		Actual	Framing	Actual	Framing	Actual	Framing	
BL36	16,000	35	37 1/2	34 1/2	35	16 1/4	16 3/4	16 3/4 X 30 3/4

Overview



Dimensions



ASCENT™ LINEAR 36 DIRECT VENT GAS FIREPLACE

Framing & Clearances

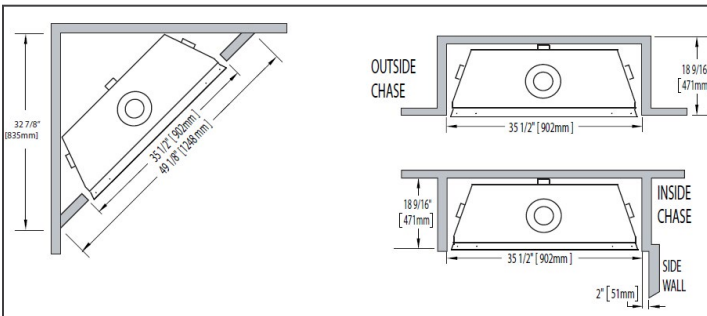
Minimum Fireplace Clearances

Minimum clearance to combustible construction from appliance and vent surfaces:	
Combustible Framing:	
-	0" to stand-offs
-	2" (51mm) to bottom and sides of the vent pipe*
-	3" (76mm) to top of the vent pipe*
Combustible Finishing:	
-	0" to rear
-	0" to front face top and sides
Top Exit	
-	59 1/2" (1511mm) to combustible enclosure from base of the appliance
-	78" (1371mm) to ceiling from base of the appliance

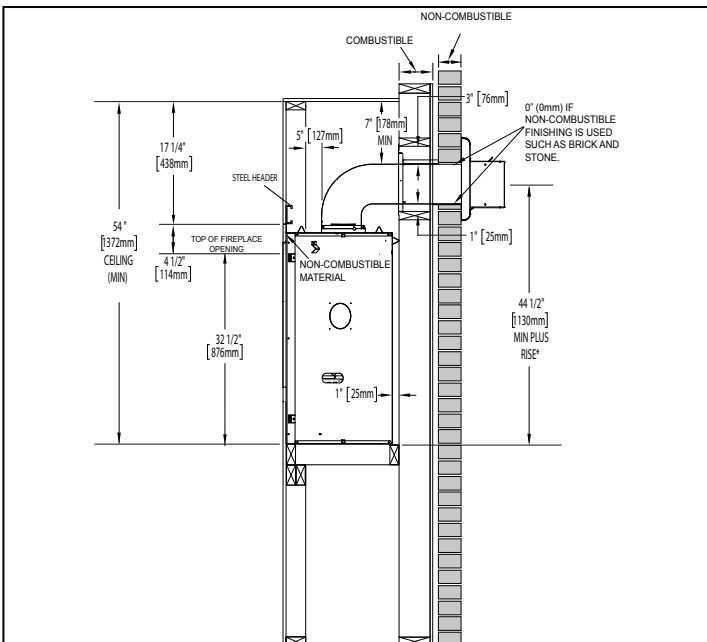
* **HORIZONTAL VENT SECTIONS:** A minimum of 2" (25mm) at the bottom and sides and 3" (76mm) at the top of the vent pipe on all horizontal runs to combustibles is required. Use firestop spacer WD10-1800 (supplied).

* **VERTICAL VENT SECTIONS:** A minimum of 1" (25mm) all around the vent pipe on all vertical runs to combustibles is required except for clearances in appliance enclosures. See "MINIMUM ENCLOSURE CLEARANCES" section. Use firestop spacer W500-0096 (not supplied).

Appliance Location

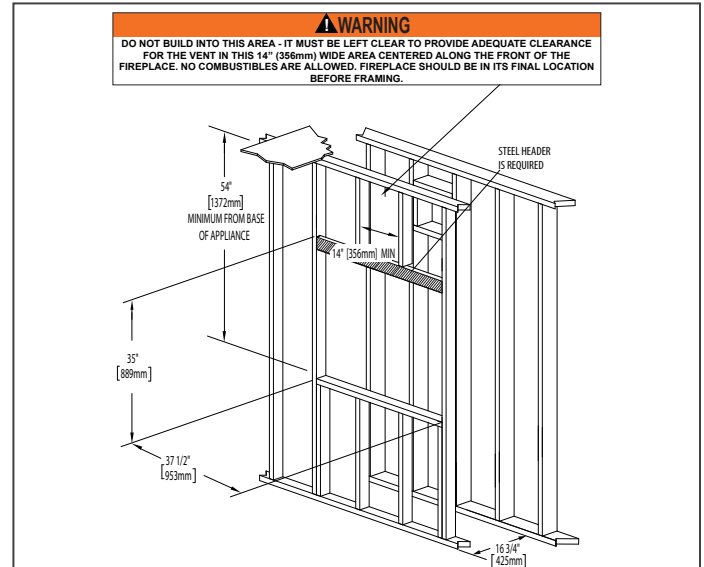


Wall Penetration

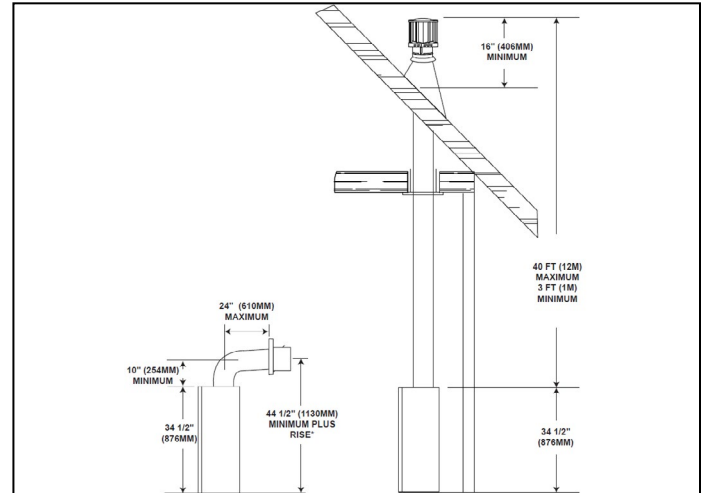


Product information provided is not complete and is subject to change without notice. Please consult the installation manual for the most up to date installation information.

Framing Dimensions



Minimum Vertical Vent Rise



Combustible Mantel Clearances

